



Chipsmall Limited consists of a professional team with an average of over 10 year of expertise in the distribution of electronic components. Based in Hongkong, we have already established firm and mutual-benefit business relationships with customers from,Europe,America and south Asia,supplying obsolete and hard-to-find components to meet their specific needs.

With the principle of “Quality Parts,Customers Priority,Honest Operation,and Considerate Service”,our business mainly focus on the distribution of electronic components. Line cards we deal with include Microchip,ALPS,ROHM,Xilinx,Pulse,ON,Everlight and Freescale. Main products comprise IC,Modules,Potentiometer,IC Socket,Relay,Connector.Our parts cover such applications as commercial,industrial, and automotives areas.

We are looking forward to setting up business relationship with you and hope to provide you with the best service and solution. Let us make a better world for our industry!



Contact us

Tel: +86-755-8981 8866 Fax: +86-755-8427 6832

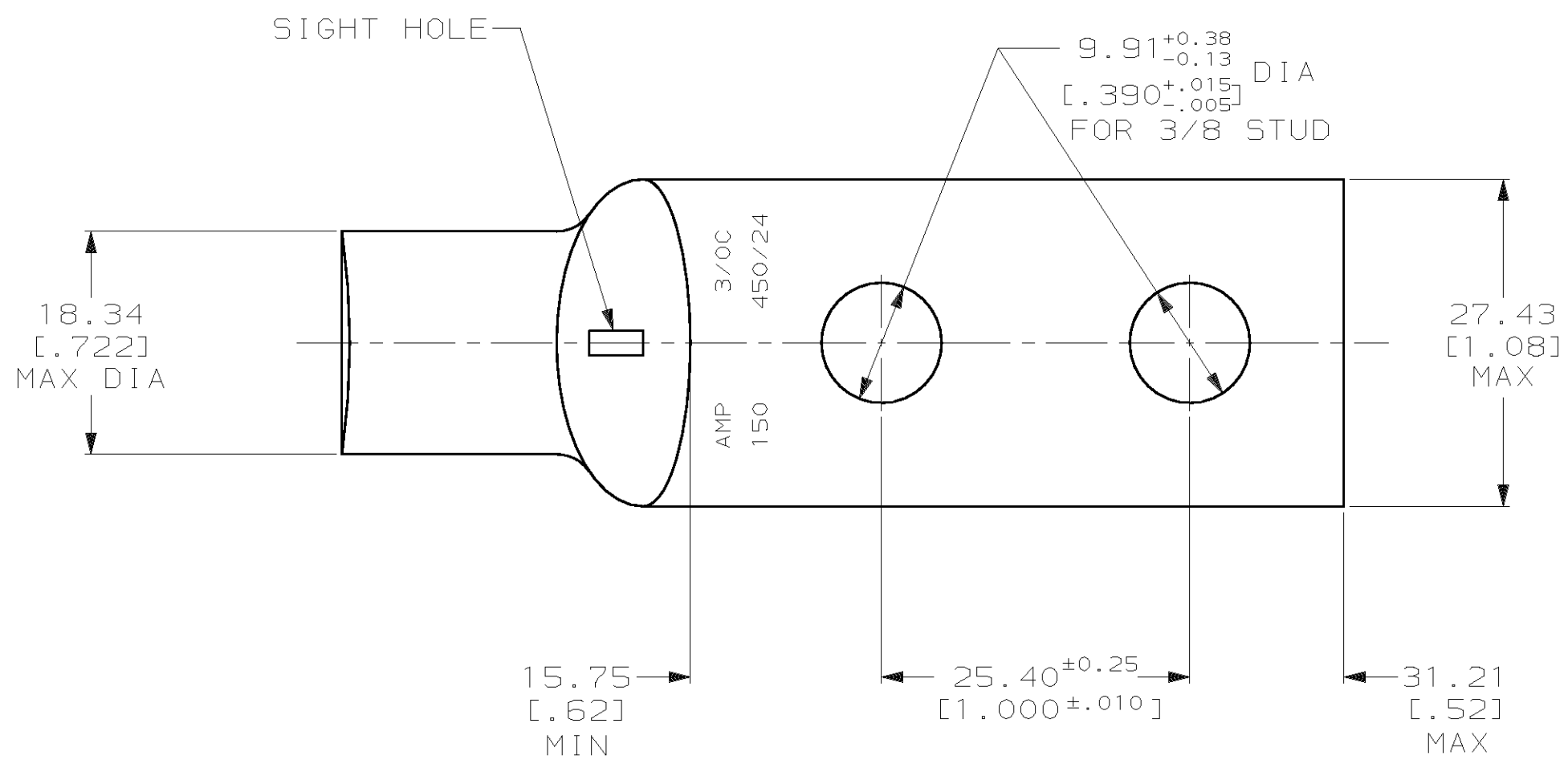
Email & Skype: info@chipsmall.com Web: www.chipsmall.com

Address: A1208, Overseas Decoration Building, #122 Zhenhua RD., Futian, Shenzhen, China

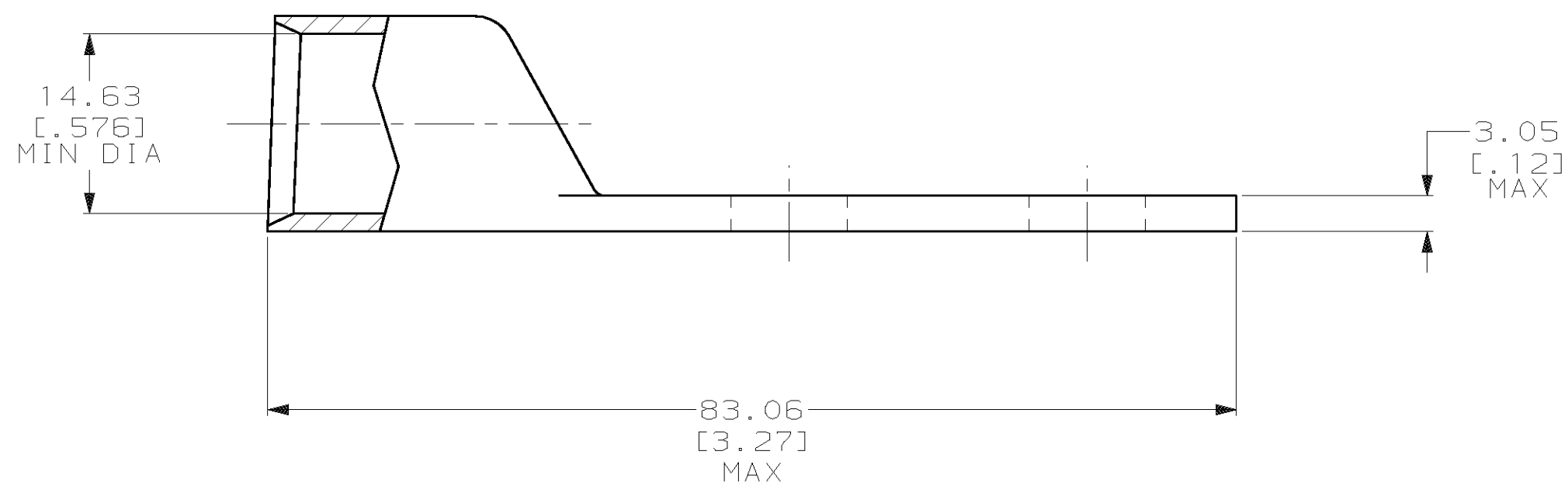


THIS DRAWING IS UNPUBLISHED. RELEASED FOR PUBLICATION, 19 .
 © COPYRIGHT 19 BY AMP INCORPORATED. ALL INTERNATIONAL RIGHTS RESERVED.

LOC		DIST		REVISIONS				DATE	APPD
ZONE	LTR	DESCRIPTION	DATE	APPD					
G	86	P	F	T	REV PER 063A-0561-01	090CT02	JR		



1 CIRCULAR MIL RANGE: 150,500-190,000 CM
 2 TIN PL 0.00381 [.000150] MIN THK PER MIL-T-10727



METRIC

DO NOT SCALE PRINT. UNLESS SPECIFIED DIMENSIONS IN mm [INCHES] TOLERANCES ON : 2 PLC DEC ± 0.51 [.020] 3 PLC DEC ± - ANGLES ± -		DR 02/28/90 DK SCHRUM		326802	
MATERIAL ANNEALED COPPER ASTM B-75		CHK 18JAN95 MS FEHER		PART NO	
FINISH		APPD 18JAN95 WJ VOCKROTH		AMP INCORPORATED Harrisburg, Pa. 17105	
APPLICATION SPEC -		APPD 18JAN95 TL SHUTTER		NAME	
WEIGHT .107 LB		PRODUCT SPEC -		TERMINAL, AMPPOWER, WIRE SIZE: 3/0 AWG	
SCALE 2:1		CAGE CODE 00779		DRAWING NO 326802	
SHEET 1 OF 1		SCALE 2:1		SHEET 1 OF 1	