



Chipsmall Limited consists of a professional team with an average of over 10 year of expertise in the distribution of electronic components. Based in Hongkong, we have already established firm and mutual-benefit business relationships with customers from,Europe,America and south Asia,supplying obsolete and hard-to-find components to meet their specific needs.

With the principle of “Quality Parts,Customers Priority,Honest Operation,and Considerate Service”,our business mainly focus on the distribution of electronic components. Line cards we deal with include Microchip,ALPS,ROHM,Xilinx,Pulse,ON,Everlight and Freescale. Main products comprise IC,Modules,Potentiometer,IC Socket,Relay,Connector.Our parts cover such applications as commercial,industrial, and automotives areas.

We are looking forward to setting up business relationship with you and hope to provide you with the best service and solution. Let us make a better world for our industry!



Contact us

Tel: +86-755-8981 8866 Fax: +86-755-8427 6832

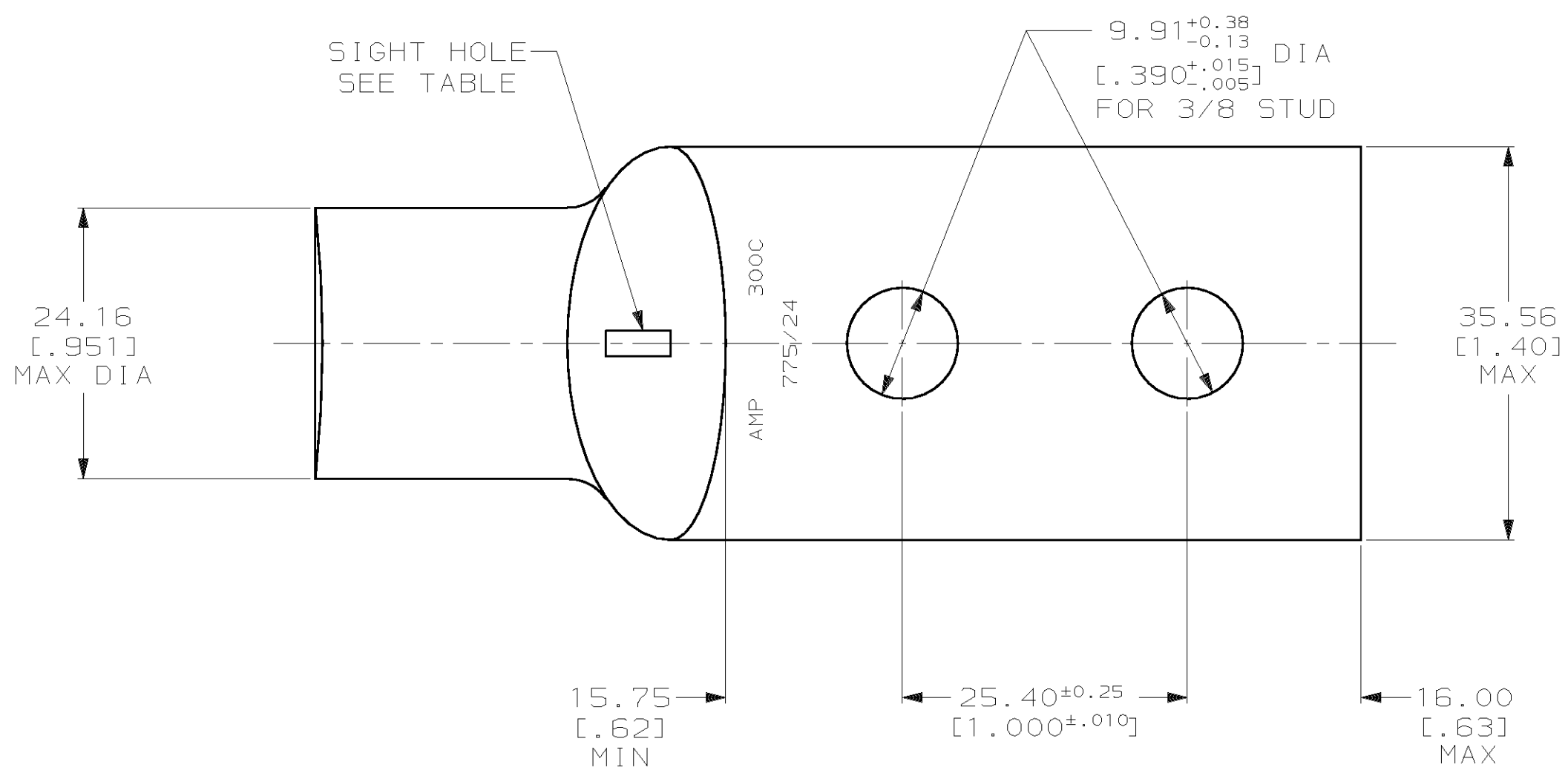
Email & Skype: info@chipsmall.com Web: www.chipsmall.com

Address: A1208, Overseas Decoration Building, #122 Zhenhua RD., Futian, Shenzhen, China

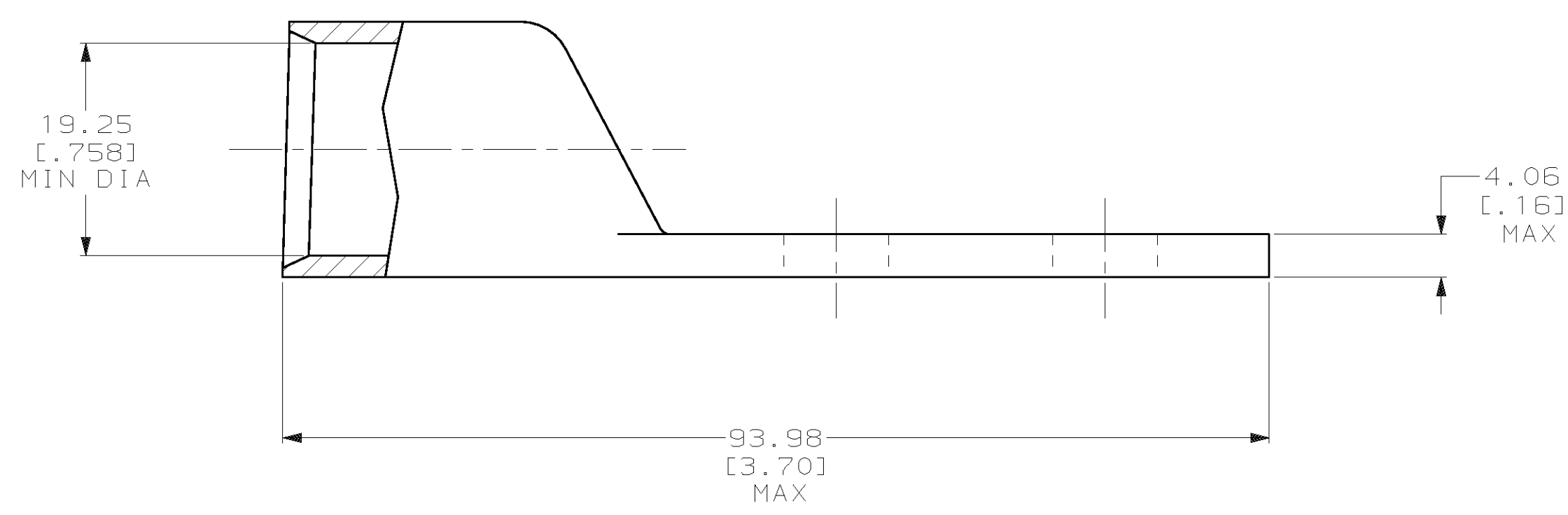


THIS DRAWING IS UNPUBLISHED. RELEASED FOR PUBLICATION ,19 .
 © COPYRIGHT 19 BY AMP INCORPORATED. ALL INTERNATIONAL RIGHTS RESERVED.

LOC		DIST		REVISIONS				DATE	APPD
ZONE	LTR	DESCRIPTION	DATE	APPD					
G	86	P	F	U	REV PER 063A-0561-01	090CT02	JR		



1 CIRCULAR MIL AREA RANGE: 275-325 MCM
 2 TIN PL 0.00381 [.000150] MIN THK PER MIL-T-10727



METRIC

DO NOT SCALE PRINT. UNLESS SPECIFIED DIMENSIONS IN mm [INCHES] TOLERANCES ON : 2 PLC DEC ± 0.51 [.020] 3 PLC DEC ± - ANGLES ± -		DR 02/28/90 DK SCHRUM	NONE 326805-1	
MATERIAL ANNEALED COPPER ASTM B-188		CHK 23JAN95 MS FEHER	REQUIRED 326805	
FINISH 2		APPD 23JAN95 WJ VOCKROTH	SIGHT HOLE PART NO	
APPLICATION SPEC -		APPD 23JAN95 TL SHUTTER	AMP INCORPORATED Harrisburg, Pa. 17105	
WEIGHT .215 LB		PRODUCT SPEC 108-30200	NAME TERMINAL, AMPPOWER, WIRE SIZE: 300 MCM	
SCALE 2:1		APPLICATION SPEC -	SIZE C	CAGE CODE 00779
		DRAWING NO 326805	DRAWING NO 326805	
		SHEET 1 OF 1	SHEET 1 OF 1	