



Chipsmall Limited consists of a professional team with an average of over 10 year of expertise in the distribution of electronic components. Based in Hongkong, we have already established firm and mutual-benefit business relationships with customers from,Europe,America and south Asia,supplying obsolete and hard-to-find components to meet their specific needs.

With the principle of “Quality Parts,Customers Priority,Honest Operation,and Considerate Service”,our business mainly focus on the distribution of electronic components. Line cards we deal with include Microchip,ALPS,ROHM,Xilinx,Pulse,ON,Everlight and Freescale. Main products comprise IC,Modules,Potentiometer,IC Socket,Relay,Connector.Our parts cover such applications as commercial,industrial, and automotives areas.

We are looking forward to setting up business relationship with you and hope to provide you with the best service and solution. Let us make a better world for our industry!



Contact us

Tel: +86-755-8981 8866 Fax: +86-755-8427 6832

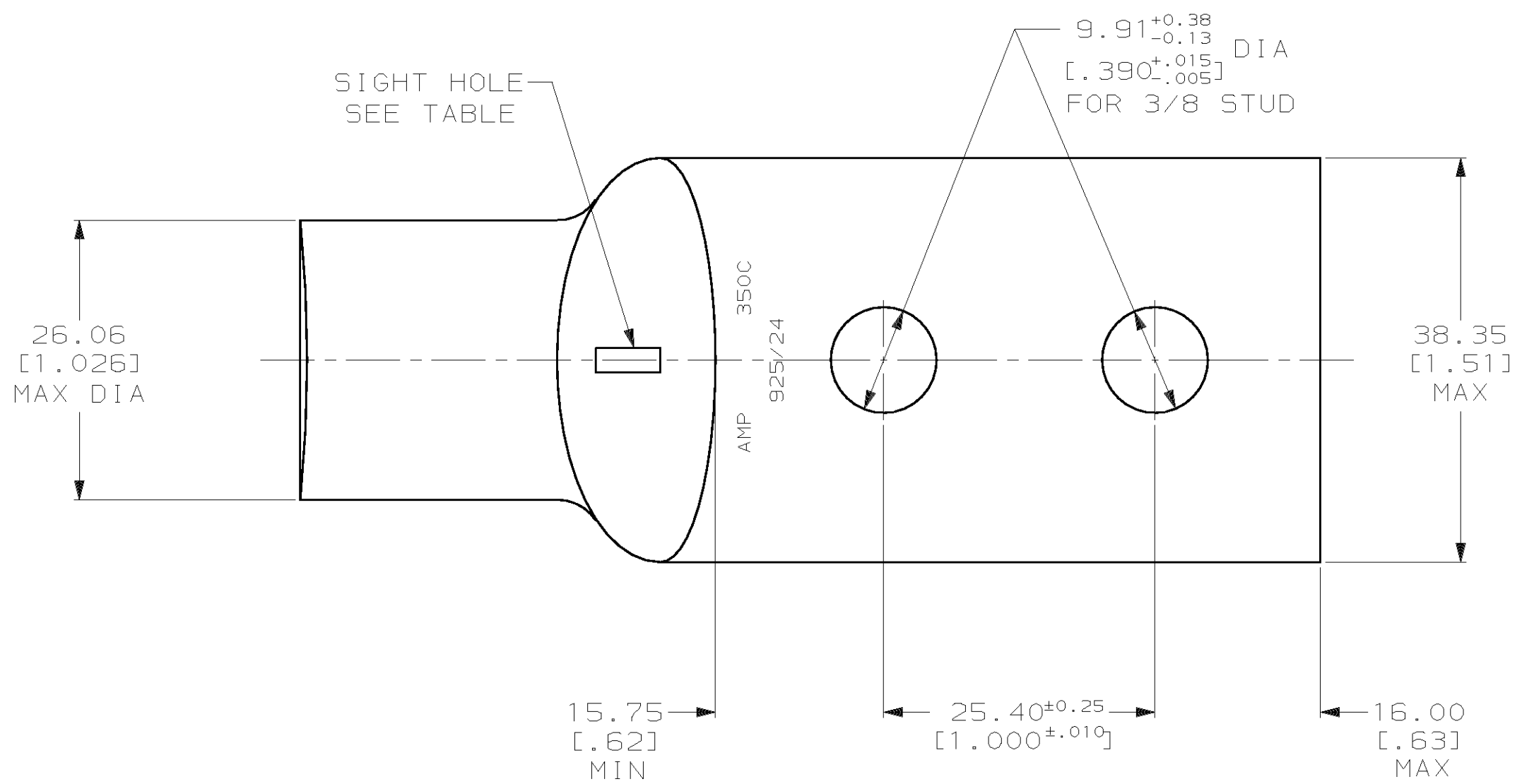
Email & Skype: info@chipsmall.com Web: www.chipsmall.com

Address: A1208, Overseas Decoration Building, #122 Zhenhua RD., Futian, Shenzhen, China

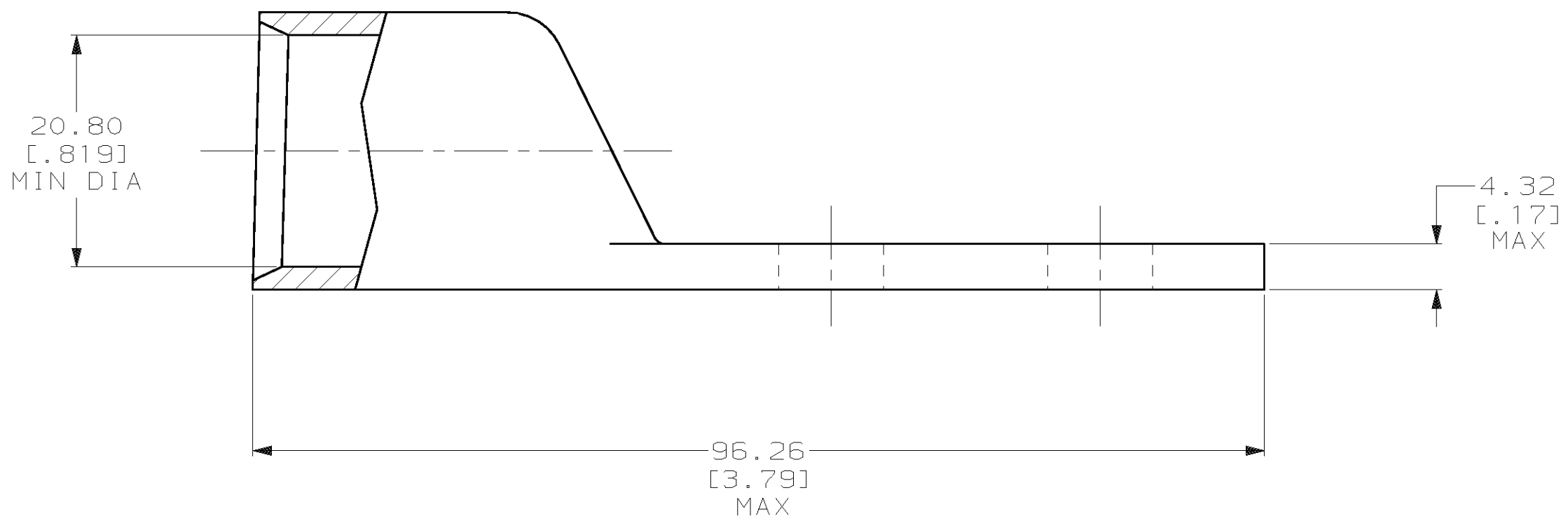


THIS DRAWING IS UNPUBLISHED. RELEASED FOR PUBLICATION, 19 .
 © COPYRIGHT 19 BY AMP INCORPORATED. ALL INTERNATIONAL RIGHTS RESERVED.

LOC		DIST		P		F		ZONE		LTR		REVISIONS		DATE	APPD
G		86								U		REV PER 063A-0561-01		09OCT02	JR/MS



1 CIRCULAR MIL AREA RANGE: 325-375 MCM
 2 TIN PL 0.00381 [0.00150] MIN THK PER MIL-T-10727



NONE		326806-1	
REQUIRED		326806	
SIGHT HOLE		PART NO	
AMP INCORPORATED Harrisburg, Pa. 17105			
DO NOT SCALE PRINT. UNLESS SPECIFIED DIMENSIONS IN mm [INCHES] TOLERANCES ON :		DR 02/28/90 DK SCHRUM	
2 PLC DEC ± 0.51 [0.020]		CHK 23JAN95 MS FEHER	
3 PLC DEC ± -		APPD 23JAN95 WJ VOCKROTH	
ANGLES ± -		APPD 23JAN95 TL SHUTTER	
MATERIAL ANNEALED COPPER ASTM B-75		PRODUCT SPEC 108-30200	
FINISH		APPLICATION SPEC -	
		WEIGHT .259 LB	
		SCALE 2:1	
NAME		DRAWING NO	
TERMINAL, AMPPOWER™ WIRE SIZE: 350 MCM		326806	
CAGE CODE		SHEET	
00779		1 OF 1	