



Chipsmall Limited consists of a professional team with an average of over 10 year of expertise in the distribution of electronic components. Based in Hongkong, we have already established firm and mutual-benefit business relationships with customers from,Europe,America and south Asia,supplying obsolete and hard-to-find components to meet their specific needs.

With the principle of “Quality Parts,Customers Priority,Honest Operation,and Considerate Service”,our business mainly focus on the distribution of electronic components. Line cards we deal with include Microchip,ALPS,ROHM,Xilinx,Pulse,ON,Everlight and Freescale. Main products comprise IC,Modules,Potentiometer,IC Socket,Relay,Connector.Our parts cover such applications as commercial,industrial, and automotives areas.

We are looking forward to setting up business relationship with you and hope to provide you with the best service and solution. Let us make a better world for our industry!



Contact us

Tel: +86-755-8981 8866 Fax: +86-755-8427 6832

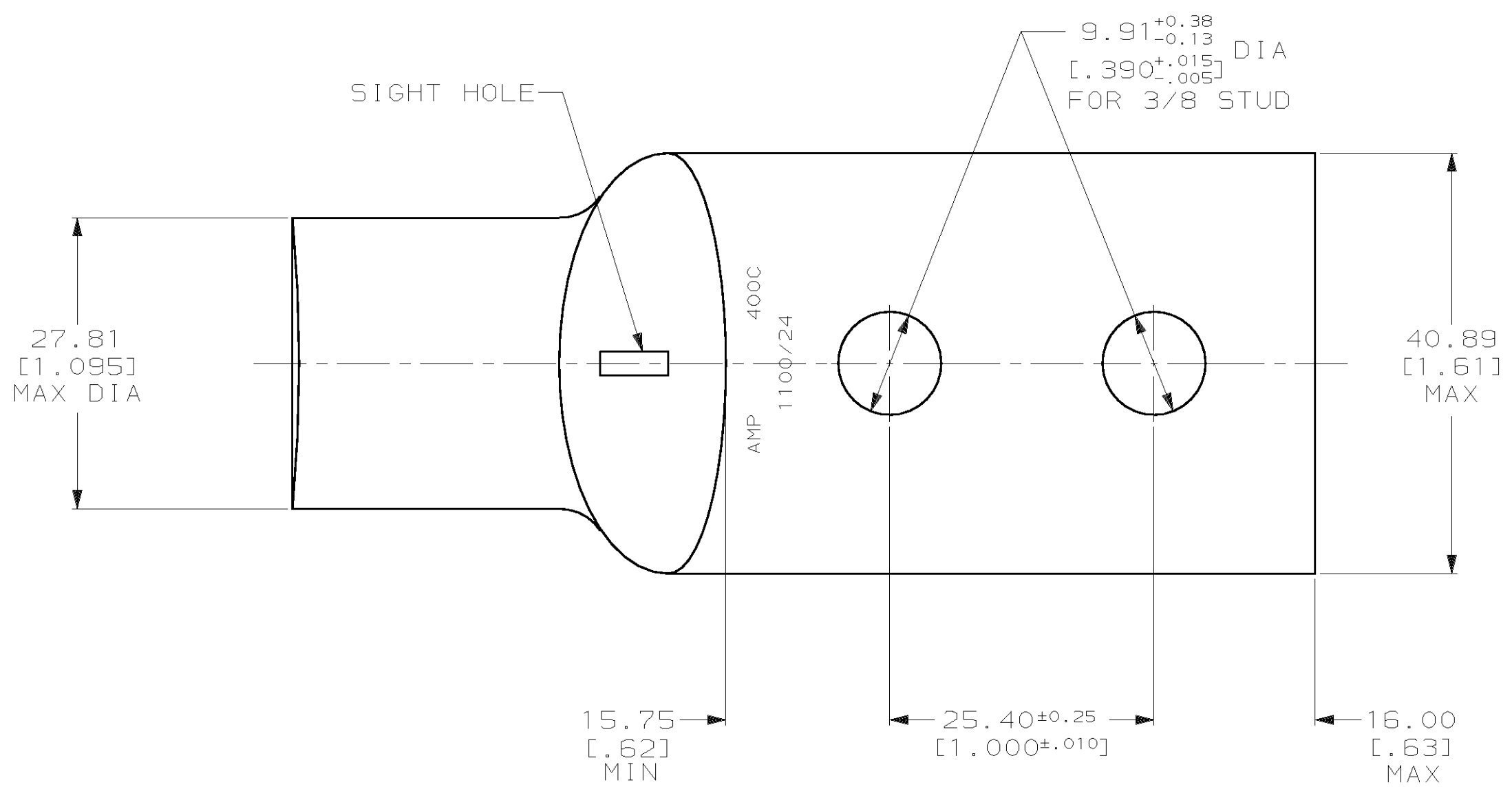
Email & Skype: info@chipsmall.com Web: www.chipsmall.com

Address: A1208, Overseas Decoration Building, #122 Zhenhua RD., Futian, Shenzhen, China

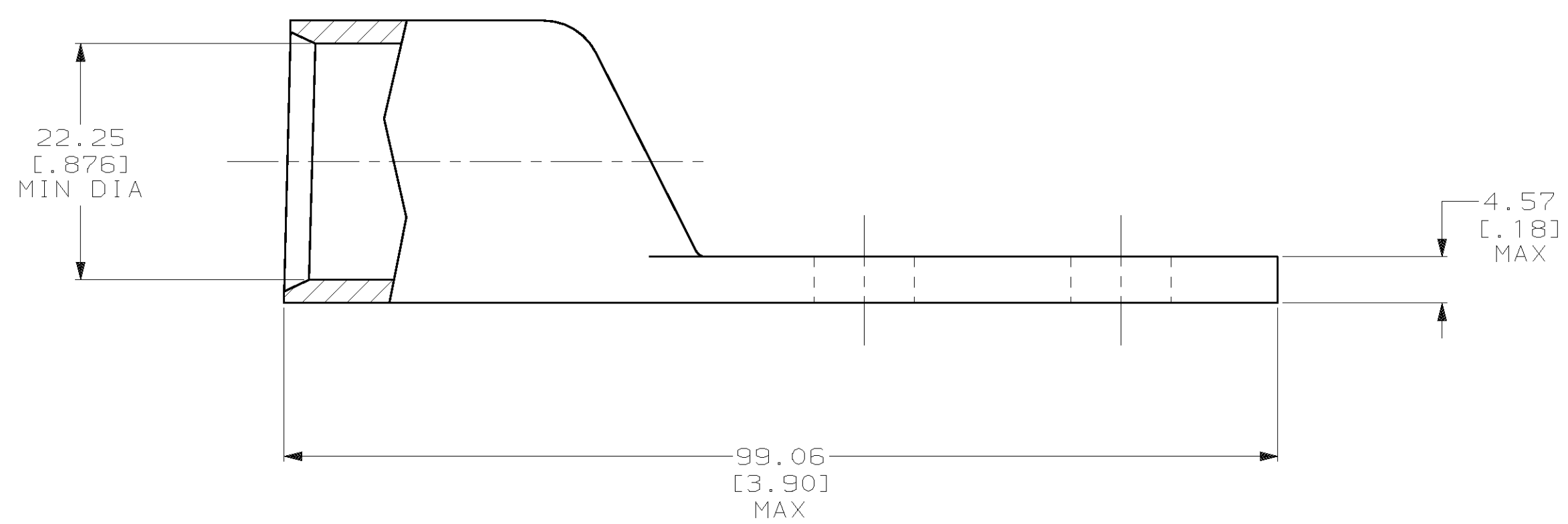


THIS DRAWING IS UNPUBLISHED. RELEASED FOR PUBLICATION ,19 .
 © COPYRIGHT 19 BY AMP INCORPORATED. ALL INTERNATIONAL RIGHTS RESERVED.

| LOC | | DIST | | P | | F | | ZONE | | LTR | | REVISIONS | | DATE | APPD |
|-----|--|------|--|---|--|---|--|------|--|-----|--|-----------|----------------------|---------|-------|
| G | | 86 | | | | | | | | | | | REV PER 063A-0561-01 | 090CT02 | JR/MS |



- 1 CIRCULAR MIL AREA RANGE: 375-450 MCM
- 2 TIN PL 0.00381 [.000150] MIN THK PER ASTM B-545
- 3 NO SIGHT HOLE



| | |
|---|----------|
| 3 | 326807-2 |
| | 326807 |
| | PART NO |

| | | | | | |
|--|--|---------------------------|--|---|--|
| DO NOT SCALE PRINT. UNLESS SPECIFIED DIMENSIONS IN mm [INCHES] TOLERANCES ON : 2 PLC DEC ± 0.51 [.020] 3 PLC DEC ± - ANGLES ± - | | DR 02/28/90 DK SCHRUM | | AMP INCORPORATED Harrisburg, Pa. 17105 | |
| MATERIAL ANNEALED COPPER ASTM B-75 | | CHK 23JAN95 MS FEHER | | | |
| FINISH 2 | | APPD 23JAN95 WJ VOCKROTH | | NAME TERMINAL, AMPPOWER™ WIRE SIZE: 400 MCM | |
| | | APPD 23JAN95 TL SHUTTER | | DRAWING NO 326807 | |
| | | PRODUCT SPEC 108-30200 | | CAGE CODE 00779 | |
| | | APPLICATION SPEC - | | SCALE 2:1 | |
| | | WEIGHT .308 LB | | SHEET 1 OF 1 | |

METRIC