



Chipsmall Limited consists of a professional team with an average of over 10 year of expertise in the distribution of electronic components. Based in Hongkong, we have already established firm and mutual-benefit business relationships with customers from,Europe,America and south Asia,supplying obsolete and hard-to-find components to meet their specific needs.

With the principle of “Quality Parts,Customers Priority,Honest Operation,and Considerate Service”,our business mainly focus on the distribution of electronic components. Line cards we deal with include Microchip,ALPS,ROHM,Xilinx,Pulse,ON,Everlight and Freescale. Main products comprise IC,Modules,Potentiometer,IC Socket,Relay,Connector.Our parts cover such applications as commercial,industrial, and automotives areas.

We are looking forward to setting up business relationship with you and hope to provide you with the best service and solution. Let us make a better world for our industry!



Contact us

Tel: +86-755-8981 8866 Fax: +86-755-8427 6832

Email & Skype: info@chipsmall.com Web: www.chipsmall.com

Address: A1208, Overseas Decoration Building, #122 Zhenhua RD., Futian, Shenzhen, China



4

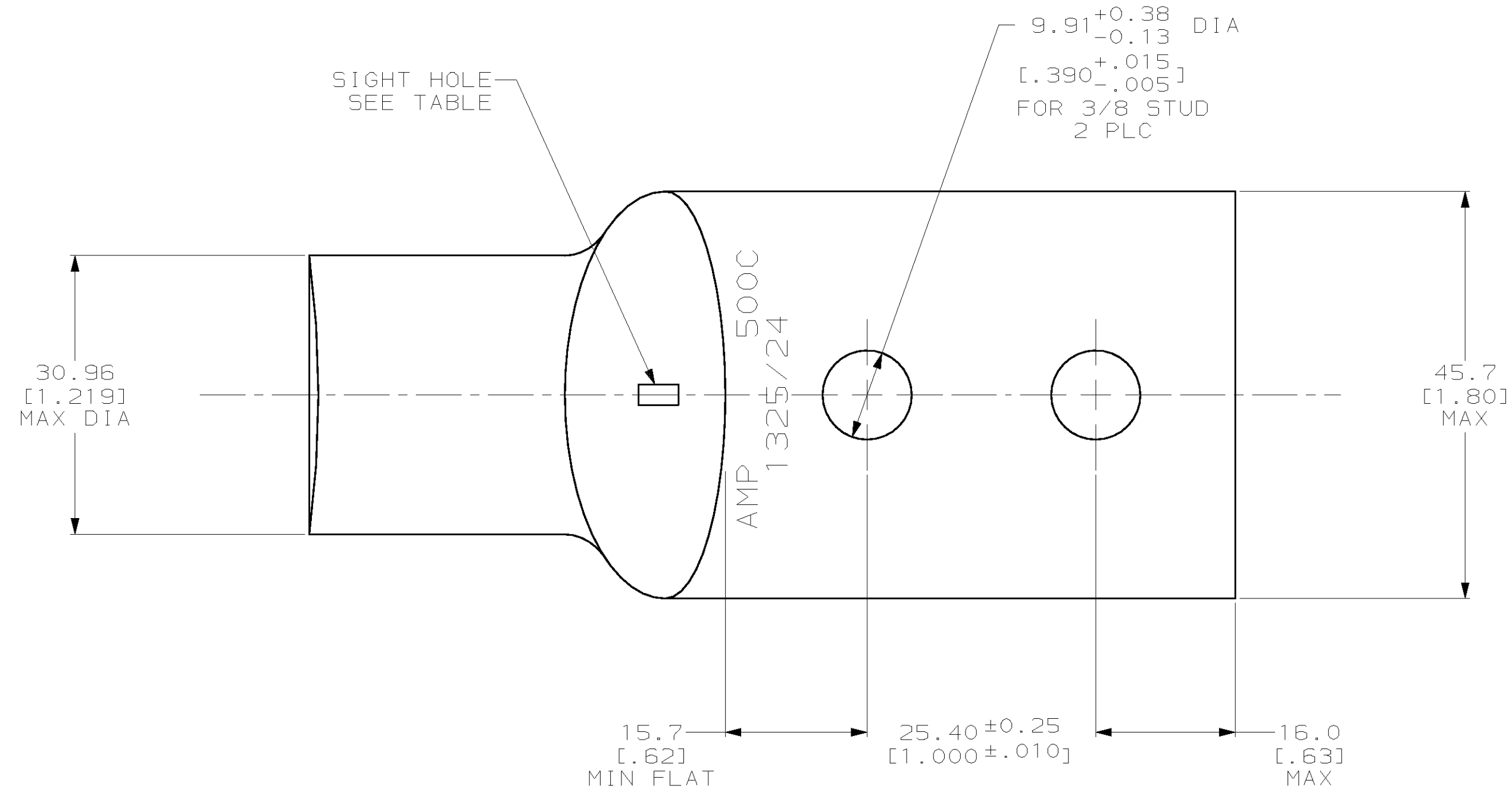
3

2

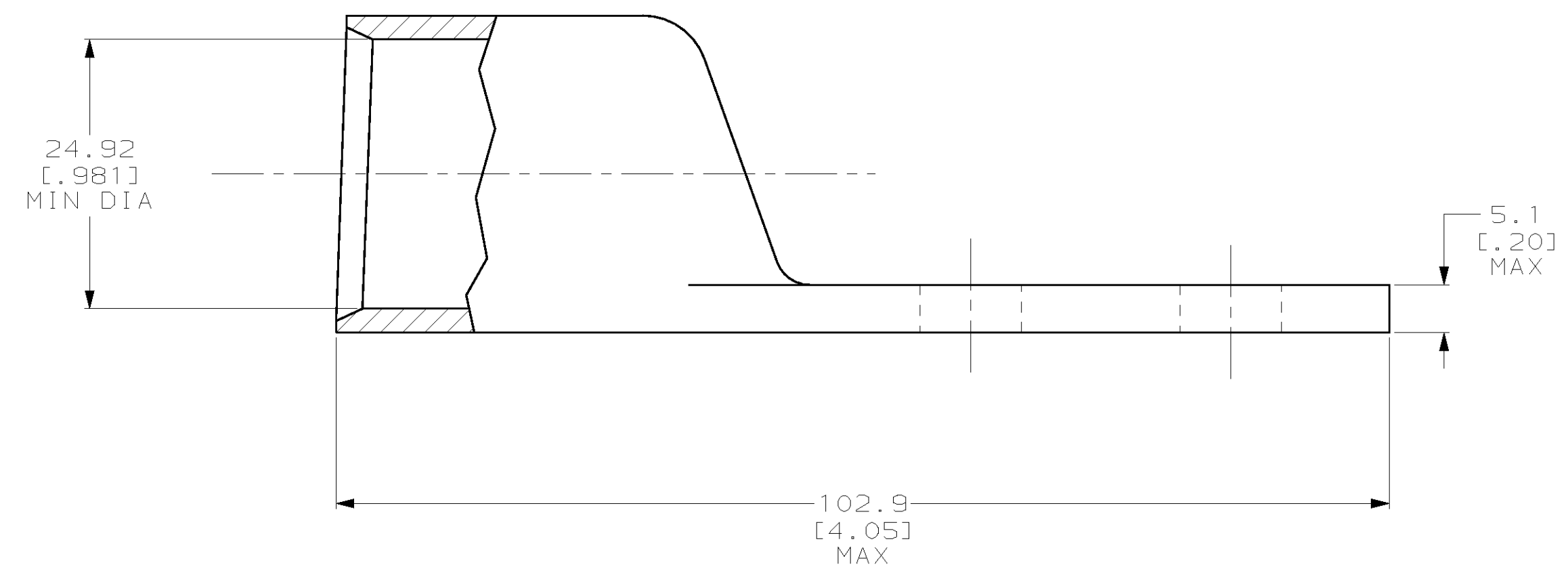
1

THIS DRAWING IS UNPUBLISHED. RELEASED FOR PUBLICATION
 (C) COPYRIGHT 19 BY AMP INCORPORATED. ALL RIGHTS RESERVED.

LOC	DIST	REVISIONS					
		P	LTR	DESCRIPTION	DATE	DWN	APVD
G	86	V		REV PER 0G3A-0561-01	090CT02	JR	MS



- 1 CIRCULAR MIL AREA RANGE: 450-550 MCM
- 2 COPPER PER ASTM B-75 ANNEALED
- 3 TIN PL 0.00381 [.000150] MIN THK PER ASTM B-545



NONE	326808-3
REQD	326808
SIGHT HOLE	AMP PART NUMBER

THIS DRAWING IS A CONTROLLED DOCUMENT.		DWN DK SCHRUM 24SEP97	AMP Incorporated Harrisburg, PA 17105-3608	
DIMENSIONS: mm [INCHES]		CHK WJ VOCKROTH 25SEP97	NAME JL MECKLEY 25SEP97	
TOLERANCES UNLESS OTHERWISE SPECIFIED:		PRODUCT SPEC 108-30200	TERMINAL, AMPPOWER™ WIRE SIZE: 500 MCM	
0 PLC ±-		APPLICATION SPEC -	SIZE A2	CAGE CODE 00779
1 PLC ±-		WEIGHT .401 lbs	DRAWING NO 326808	RESTRICTED TO -
2 PLC ±0.51 [.020]		CUSTOMER DRAWING	SCALE 2:1	SHEET 1 OF 1
3 PLC ±-			REV V	
4 PLC ±-				
ANGLES ±-				
FINISH				

326808