



Chipsmall Limited consists of a professional team with an average of over 10 year of expertise in the distribution of electronic components. Based in Hongkong, we have already established firm and mutual-benefit business relationships with customers from,Europe,America and south Asia,supplying obsolete and hard-to-find components to meet their specific needs.

With the principle of “Quality Parts,Customers Priority,Honest Operation,and Considerate Service”,our business mainly focus on the distribution of electronic components. Line cards we deal with include Microchip,ALPS,ROHM,Xilinx,Pulse,ON,Everlight and Freescale. Main products comprise IC,Modules,Potentiometer,IC Socket,Relay,Connector.Our parts cover such applications as commercial,industrial, and automotives areas.

We are looking forward to setting up business relationship with you and hope to provide you with the best service and solution. Let us make a better world for our industry!



## Contact us

Tel: +86-755-8981 8866 Fax: +86-755-8427 6832

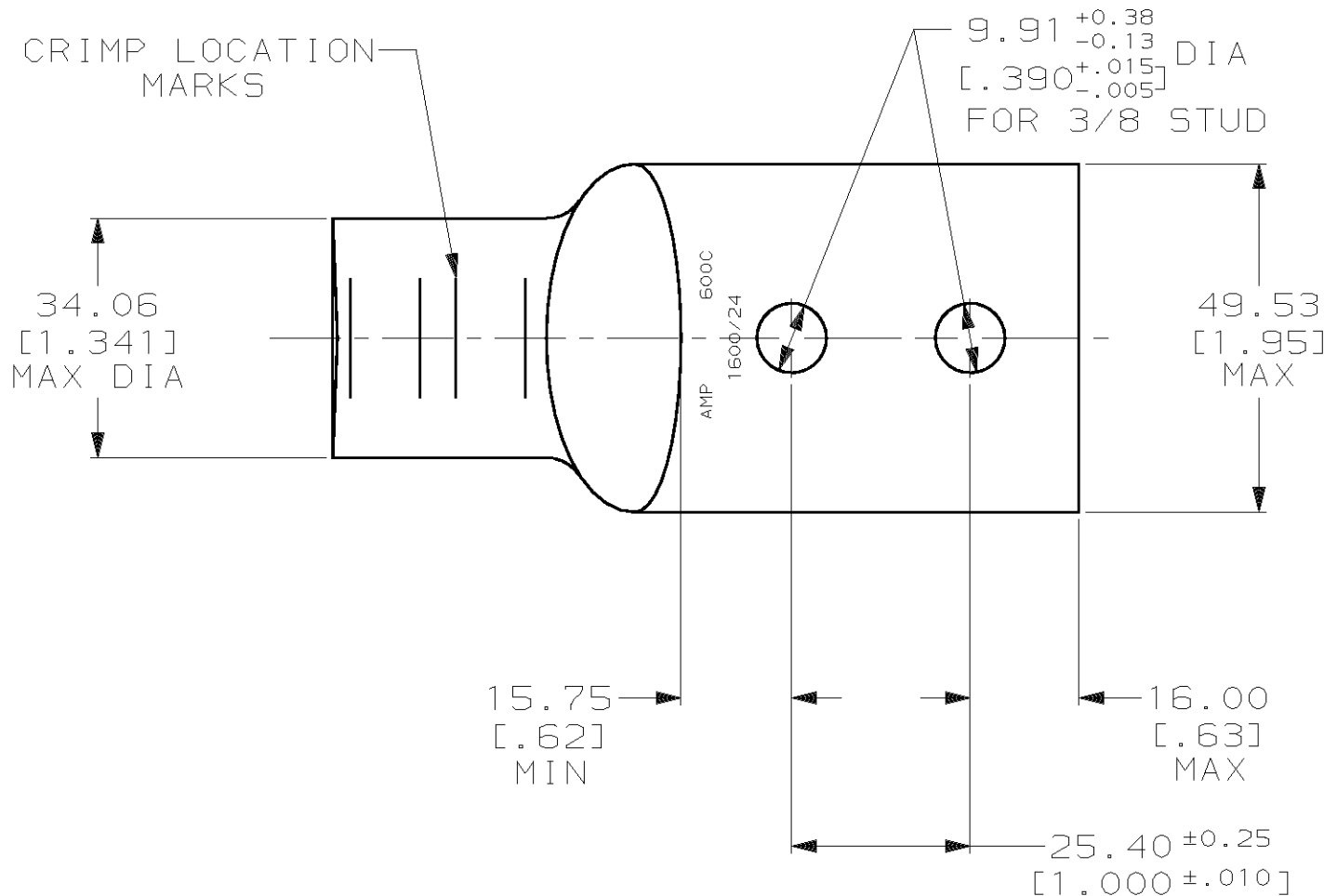
Email & Skype: info@chipsmall.com Web: www.chipsmall.com

Address: A1208, Overseas Decoration Building, #122 Zhenhua RD., Futian, Shenzhen, China

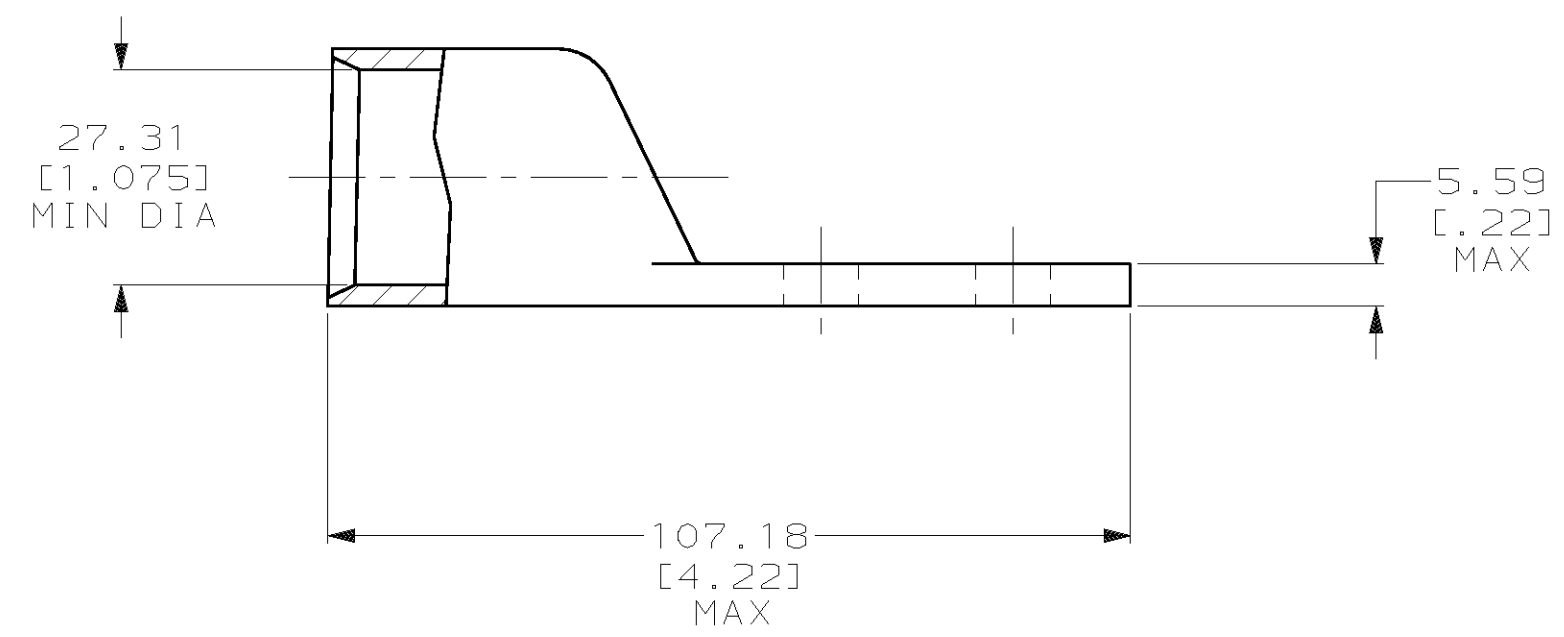


THIS DRAWING IS UNPUBLISHED. RELEASED FOR PUBLICATION ,19 .  
 © COPYRIGHT 19 BY AMP INCORPORATED. ALL INTERNATIONAL RIGHTS RESERVED.

LOC		DIST		P		F		ZONE		LTR		REVISIONS		DATE	APPD
G		86										U	REV PER 063A-0561-01	09OCT02	JR



- 1 CIRCULAR MIL RANGE: 550-650 MCM
- 2 TIN PL 0.00381 [.000150] MIN THK PER MIL-T-10727



	NONE	326809-1
OBSOLETE	REQD	326809
	SIGHT HOLE	PART NO

DO NOT SCALE PRINT. UNLESS SPECIFIED DIMENSIONS IN mm [INCHES] TOLERANCES ON : 2 PLC DEC ± 0.51 [.020] 3 PLC DEC ± - ANGLES ± -	DR 03/09/90 DK SCHRUM	AMP INCORPORATED Harrisburg, Pa. 17105	
	CHK 25JAN95 MS FEHER		
MATERIAL ANNEALED COPPER ASTM B-75	APPD 25JAN95 WJ VOCKROTH	TERMINAL, AMPPOWER™ WIRE SIZE: 600 MCM	
FINISH △	APPD 25JAN95 TL SHUTTER	PRODUCT SPEC 108-30200	DRAWING NO 326809
	APPLICATION SPEC -	SIZE C	CAGE CODE 00779
	WEIGHT .498 LB	SCALE 1:1	SHEET 1 OF 1

**METRIC**