



Chipsmall Limited consists of a professional team with an average of over 10 year of expertise in the distribution of electronic components. Based in Hongkong, we have already established firm and mutual-benefit business relationships with customers from,Europe,America and south Asia,supplying obsolete and hard-to-find components to meet their specific needs.

With the principle of “Quality Parts,Customers Priority,Honest Operation,and Considerate Service”,our business mainly focus on the distribution of electronic components. Line cards we deal with include Microchip,ALPS,ROHM,Xilinx,Pulse,ON,Everlight and Freescale. Main products comprise IC,Modules,Potentiometer,IC Socket,Relay,Connector.Our parts cover such applications as commercial,industrial, and automotives areas.

We are looking forward to setting up business relationship with you and hope to provide you with the best service and solution. Let us make a better world for our industry!



Contact us

Tel: +86-755-8981 8866 Fax: +86-755-8427 6832

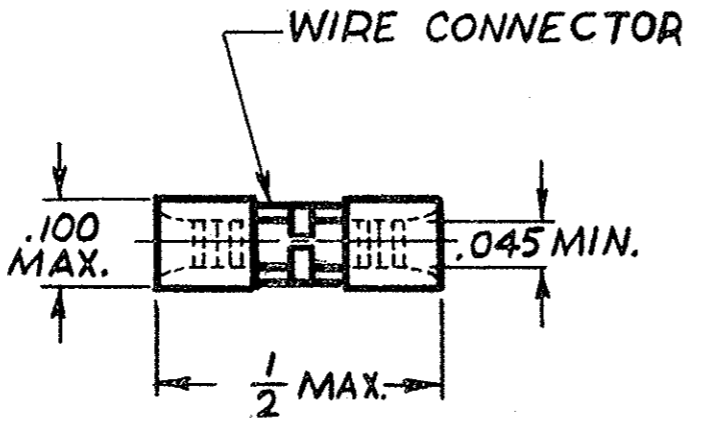
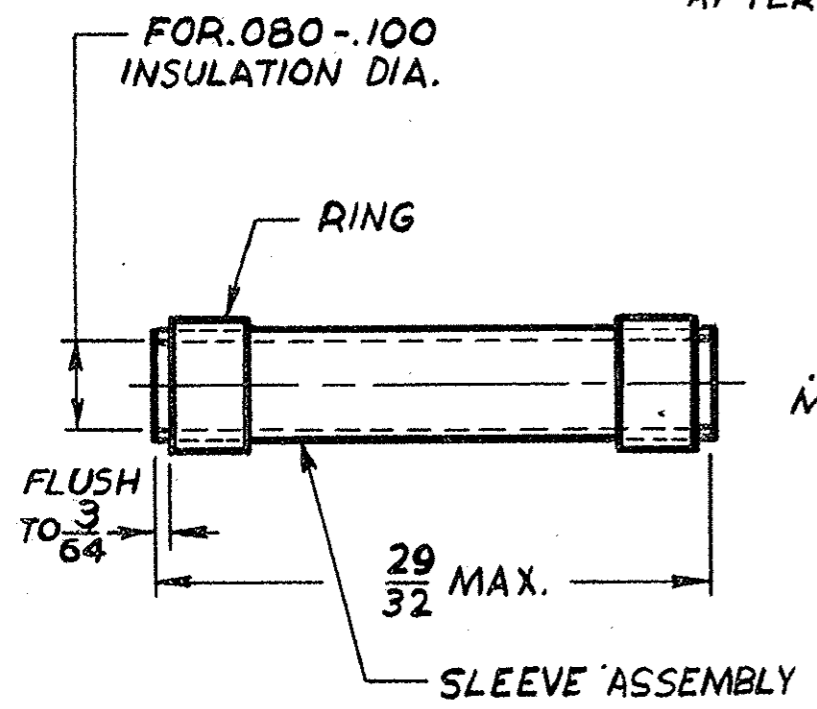
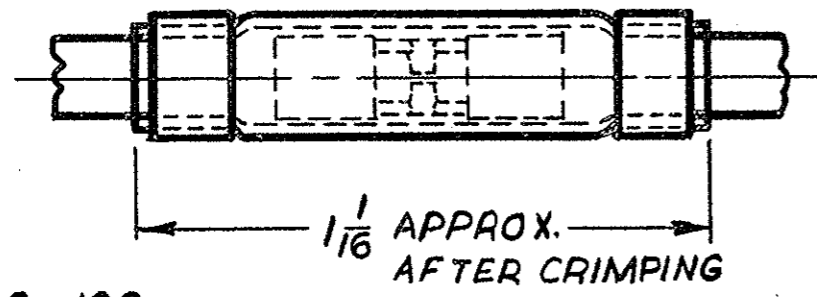
Email & Skype: info@chipsmall.com Web: www.chipsmall.com

Address: A1208, Overseas Decoration Building, #122 Zhenhua RD., Futian, Shenzhen, China



© 1958 BY AMP INCORPORATED. ALL RIGHTS RESERVED. AMP PRODUCTS COVERED BY PATENTS AND/OR PATENTS PENDING. APPROVED PER GOVT CONTRACT NO.

REVISIONS				
SYM	ZONE	DESCRIPTION	DATE	APPROVAL
B		REDRAWN w/6 CHANGE		
BI		REV PER ECR 05-013140	10/24/68	DR/TM



1	SLEEVE ASSEMBLY	326769	RING: COPPER (QQ-C-576), NICKEL PLATED (QQ-N-290) INSULATION: TEFLON (ASTM D3295)
1	WIRE CONNECTOR	326745	COPPER (QQ-C-576), WITH SILVER PLATING (QQ-S-365)

AMP INFO				LIST OF MATERIALS OR PARTS LIST		
LOC	PRINT DIST	WIRE SIZE	QTY REQD	NOMENCLATURE OR DESCRIPTION	PART OR IDENTIFYING NO.	MATERIAL AND PLATING
G	14	B 22-20				

<p>UNLESS OTHERWISE SPECIFIED DIMENSIONS ARE IN INCHES TOLERANCES ON</p> <p>FRACTIONS ± 1/64 DECIMALS ± .008 ANGLES ± 5°</p> <p>MATERIAL SEE TABLE</p> <p>HEAT TREAT — H —</p> <p>FINISH SEE TABLE</p>	SIGNATURE		DATE	<p>AMP INCORPORATED HARRISBURG, PENNSYLVANIA</p>		
	DR <i>L.C. Conley</i>		5/11/65			
	CHK <i>M. Snyder</i>		5/12/65	<p>NAME WIRE SPLICE POST-INSULATED STRATO-THERM BUTT</p>		
	APPD <i>Bell</i>		5/13/68			
DSGN APPD		CODE IDENT NO	SIZE	NUMBER		
OTHER APPD		00779	B	326835		
		SCALE 3:1	WT	CALC	ACTUAL	SHEET 1 OF 1