



Chipsmall Limited consists of a professional team with an average of over 10 year of expertise in the distribution of electronic components. Based in Hongkong, we have already established firm and mutual-benefit business relationships with customers from,Europe,America and south Asia,supplying obsolete and hard-to-find components to meet their specific needs.

With the principle of “Quality Parts,Customers Priority,Honest Operation,and Considerate Service”,our business mainly focus on the distribution of electronic components. Line cards we deal with include Microchip,ALPS,ROHM,Xilinx,Pulse,ON,Everlight and Freescale. Main products comprise IC,Modules,Potentiometer,IC Socket,Relay,Connector.Our parts cover such applications as commercial,industrial, and automotives areas.

We are looking forward to setting up business relationship with you and hope to provide you with the best service and solution. Let us make a better world for our industry!



Contact us

Tel: +86-755-8981 8866 Fax: +86-755-8427 6832

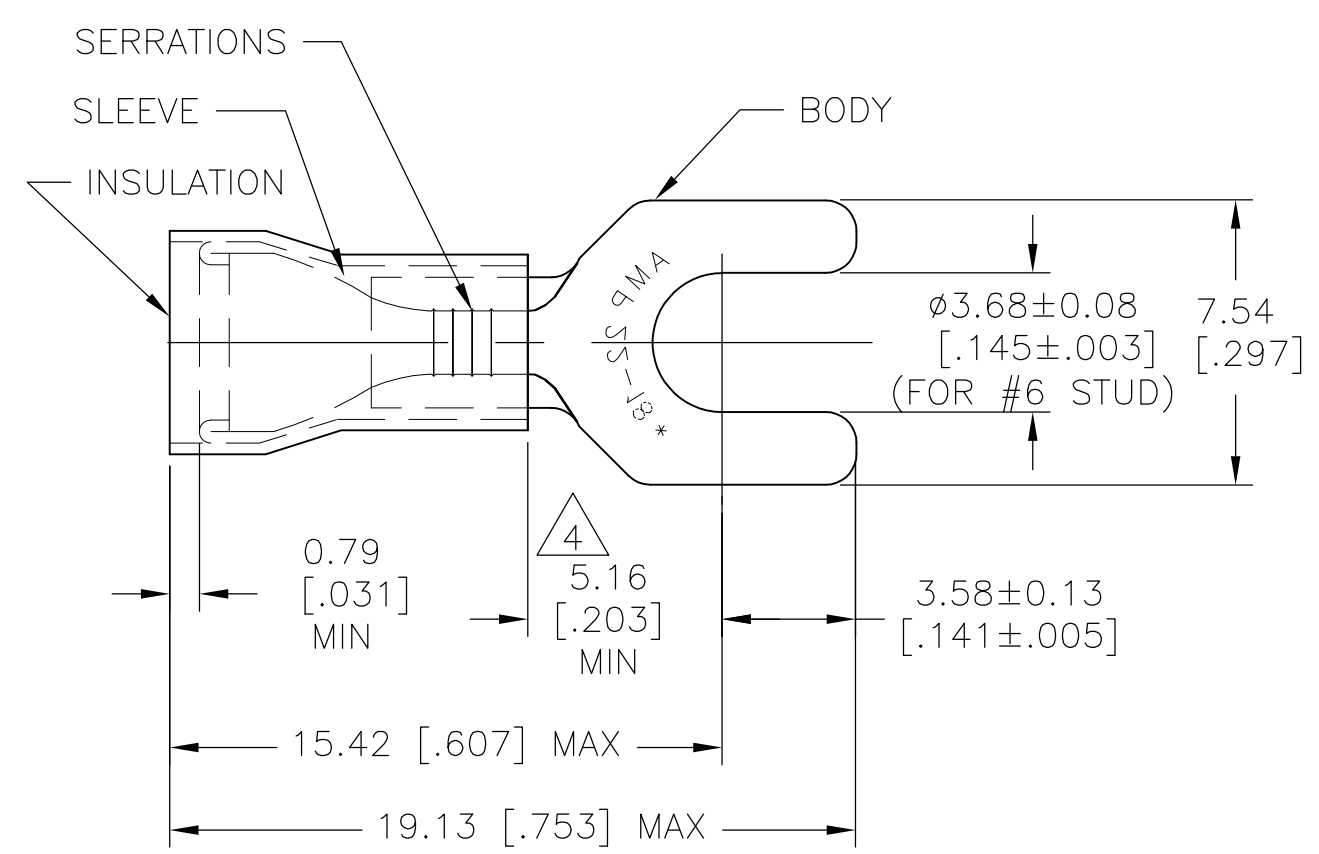
Email & Skype: info@chipsmall.com Web: www.chipsmall.com

Address: A1208, Overseas Decoration Building, #122 Zhenhua RD., Futian, Shenzhen, China



THIS DRAWING IS UNPUBLISHED. RELEASED FOR PUBLICATION
 © COPYRIGHT - By - ALL RIGHTS RESERVED.

LOC	DIST	REVISIONS					
		P	LTR	DESCRIPTION	DATE	DWN	APVD
G	14		G2	REVISED PER ECO-11-004820	11MAR11	RK	HMR



- 1 TONGUE MATERIAL THICKNESS = 0.79±0.05 [.031±.002]
- 2 FOR 2.67[.105] TO 3.56[.140] WIRE INSULATION DIA
- 3 MARKING 22-18 FOR MILITARY COMMERCIAL RANGE 22-16
- 4 APPLIES FROM METAL EDGE OF BARREL TO CENTERLINE OF STUD

QTY	DESCRIPTION	MATERIAL & FINISH	PART NO
100	LOOSE PIECE, BOX	BODY: COPPER (ASTM-B152) TIN PL (ASTM-B545)	8-326861-1
1	326861 ON TAPE	SLEEVE: COPPER (ASTM-B152) TIN PL (ASTM-B545)	2-326861-1
1	WIRE TERMINAL	INSULATION: NYLON COLOR: RED	326861

CUSTOMER SERVICE SYSTEMS		MAX RECOMMENDED OPERATING TEMPERATURE: 105°C [221° F]	THIS DRAWING IS A CONTROLLED DOCUMENT.		DWN JR RUTH 15JUL09	TE Connectivity WIRE-TERMINAL PIDG-SPADE WIRE SIZE: 22-16			
FOR ADDITIONAL PRODUCT INFORMATION OR COPIES OF DRAWINGS AND TECHNICAL DOCUMENTS	PRODUCT INFORMATION CENTER 1-800-522-6752	VOLTAGE RATING: 300V MAX	DIMENSIONS: mm [INCHES]	TOLERANCES UNLESS OTHERWISE SPECIFIED:	CHK TOM MICHIELUTTI 15JUL09				
FOR APPLICATION TOOLING INFORMATION	TOOLING ASSISTANCE CENTER 1-800-722-1111	CIRCULAR MIL AREA: 1.04-2.62mm² [2,050-5,180] SOLID OR STRANDED		0 PLC ± -	APVD TOM MICHIELUTTI 15JUL09	PRODUCT SPEC			
FOR ORDER ENTRY	1-800-526-5142			MATERIAL SEE TABLE	1 PLC ± -		APPLICATION SPEC		
				2 PLC ± -		SIZE	CAGE CODE	DRAWING NO	RESTRICTED TO
				3 PLC ± 0.20[.008]		A3	00779	G-326861	
				4 PLC ± -		CUSTOMER DRAWING			
				ANGLES ± .5°		SCALE	SHEET	REV	
				FINISH SEE TABLE		5:1	1 OF 1	G2	