



Chipsmall Limited consists of a professional team with an average of over 10 year of expertise in the distribution of electronic components. Based in Hongkong, we have already established firm and mutual-benefit business relationships with customers from,Europe,America and south Asia,supplying obsolete and hard-to-find components to meet their specific needs.

With the principle of “Quality Parts,Customers Priority,Honest Operation,and Considerate Service”,our business mainly focus on the distribution of electronic components. Line cards we deal with include Microchip,ALPS,ROHM,Xilinx,Pulse,ON,Everlight and Freescale. Main products comprise IC,Modules,Potentiometer,IC Socket,Relay,Connector.Our parts cover such applications as commercial,industrial, and automotives areas.

We are looking forward to setting up business relationship with you and hope to provide you with the best service and solution. Let us make a better world for our industry!



Contact us

Tel: +86-755-8981 8866 Fax: +86-755-8427 6832

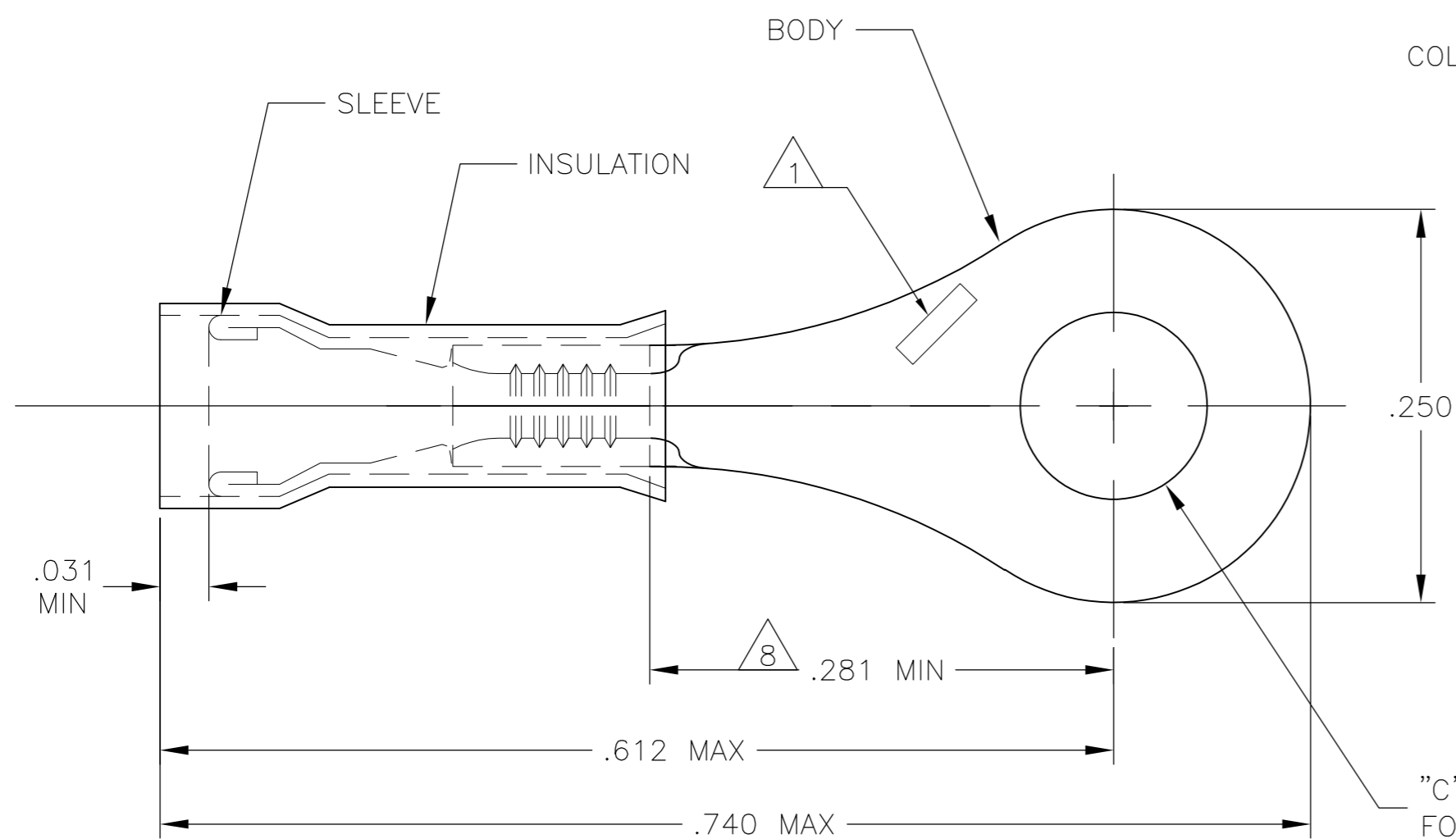
Email & Skype: info@chipsmall.com Web: www.chipsmall.com

Address: A1208, Overseas Decoration Building, #122 Zhenhua RD., Futian, Shenzhen, China



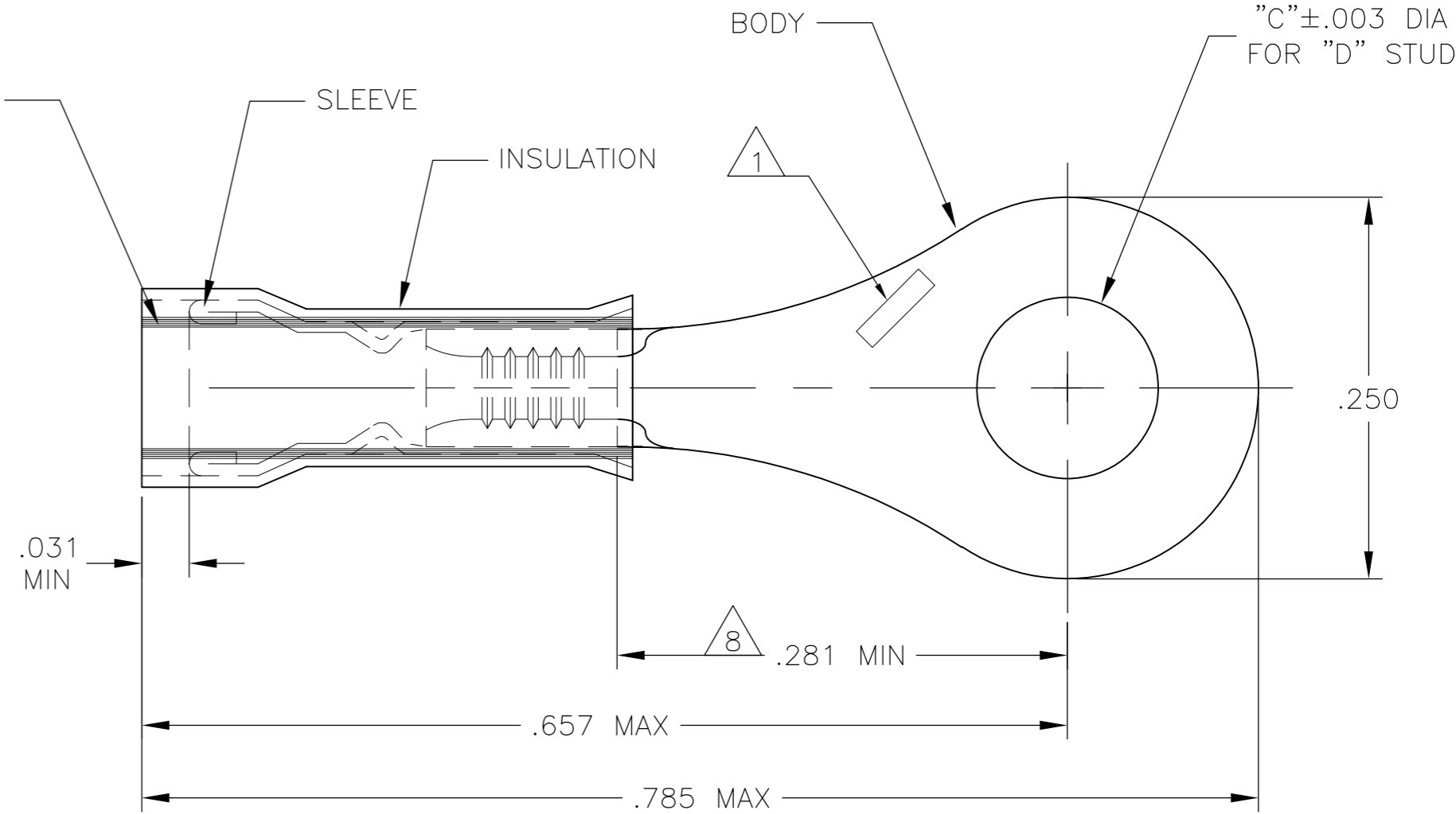
THIS DRAWING IS UNPUBLISHED. RELEASED FOR PUBLICATION
 © COPYRIGHT - By - ALL RIGHTS RESERVED.

| LOC | | DIST | | REVISIONS | | | |
|-----|-----|-------------|---------------------------|-----------|-----|------|--|
| P | LTR | DESCRIPTION | | DATE | DWN | APVD | |
| G | 14 | W3 | REVISED PER ECO-12-012931 | 16JUL12 | KH | DR | |



STYLE A

COLOR CODE STRIPE
 SEE TABLE
 3 EQUALLY
 SPACED STRIPES



STYLE B
INSULATION RESTRICTING

- 1 STAMP "AMP", APPROX AS SHOWN
- 2 WIRE INSULATION DIA: SEE TABLE
- 3 TONGUE MATERIAL THK: .018±.002
- 4 BODY & SLEEVE: CU PER ASTM B152
INSULATION: NYLON PER ASTM D4066, COLOR - YELLOW
- 5 BODY: TIN PLATE .000100 MIN EXT THK
PER ASTM B545
- 6 SLEEVE: TIN PLATE .000100 MIN THK PER
ASTM B545
- 7 SLEEVE: NICKEL PLATE PER QQ-N-290
- 8 APPLIES FROM EDGE OF METAL WIRE BARREL
TO CENTER OF STUD HOLE.
- 9 MEETS MS25036-145, CLASS 2
- 10 300 VOLTS MAX

| QTY | PACKAGE TYPE | STUD SIZE "D" | DIM "C" | WIRE INSUL. DIA | WIRE SIZE | COLOR CODE | STYLE | BODY FINISH | SLEEVE FINISH | MATERIAL | PART NO |
|----------|------------------|--------------------------|---------|-----------------|-----------|------------|-------|-------------|---------------|----------|------------|
| 100 | LOOSE PIECE, BOX | #6 | .145 | .050-.082 | 26-22 | -- | A | | | | 8-326875-1 |
| OBSOLETE | 100 | LOOSE PIECE, SM. BOX | #6 | .145 | .050-.082 | 26-22 | -- | A | 6 | | 3-326875-0 |
| OBSOLETE | 1000 | LOOSE PIECE, LG. BOX | #6 | .145 | .050-.082 | 26-22 | -- | A | | | 2-326875-9 |
| OBSOLETE | 5000 | 2-326875-4 ON TAPE, REEL | #6 | .145 | .031-.055 | 24 | BLUE | B | | | 2-326875-8 |
| OBSOLETE | 5000 | 2-326875-3 ON TAPE, REEL | #10 | .197 | .026-.055 | 26 | BLACK | B | | | 2-326875-7 |
| OBSOLETE | 5000 | 2-326875-2 ON TAPE, REEL | #6 | .145 | .026-.055 | 26 | BLACK | B | | | 2-326875-6 |
| | 500 | LOOSE PIECE | #10 | .197 | .031-.055 | 24 | BLUE | B | 5 | 7 | 2-326875-5 |
| | 500 | LOOSE PIECE | #6 | .145 | .031-.055 | 24 | BLUE | B | | 4 | 2-326875-4 |
| OBSOLETE | 500 | LOOSE PIECE | #10 | .197 | .026-.055 | 26 | BLACK | B | | | 2-326875-3 |
| OBSOLETE | 500 | LOOSE PIECE | #6 | .145 | .026-.055 | 26 | BLACK | B | | | 2-326875-2 |
| | 4000 | 326875-1 ON TAPE, REEL | #6 | .145 | .050-.082 | 26-22 | -- | A | | | 2-326875-1 |
| | 500 | LOOSE PIECE | #6 | .145 | .050-.082 | 26-22 | -- | A | | | 326875 |

THIS DRAWING IS A CONTROLLED DOCUMENT.

| | | |
|------------------|-----------------|---------|
| DWN | JR RUTH | 14JAN10 |
| CHK | TOM MICHIELUTTI | 14JAN10 |
| APVD | MIKE PERCHERKE | 14JAN10 |
| PRODUCT SPEC | | |
| APPLICATION SPEC | | |
| WEIGHT | | |
| CUSTOMER DRAWING | | |

STE TE Connectivity

NAME: JR RUTH
 PRODUCT SPEC: -
 APPLICATION SPEC: -
 WEIGHT: -

TERMINAL, NYLON - PIDG - RING TONGUE
 WIRE SIZE: 26-22

| | | | |
|-------|-----------|------------|---------------|
| SIZE | CAGE CODE | DRAWING NO | RESTRICTED TO |
| A2 | 00779 | C-326875 | - |
| SCALE | SHEET | REV | |
| 10:1 | 1 of 1 | W3 | |