



Chipsmall Limited consists of a professional team with an average of over 10 year of expertise in the distribution of electronic components. Based in Hongkong, we have already established firm and mutual-benefit business relationships with customers from,Europe,America and south Asia,supplying obsolete and hard-to-find components to meet their specific needs.

With the principle of “Quality Parts,Customers Priority,Honest Operation,and Considerate Service”,our business mainly focus on the distribution of electronic components. Line cards we deal with include Microchip,ALPS,ROHM,Xilinx,Pulse,ON,Everlight and Freescale. Main products comprise IC,Modules,Potentiometer,IC Socket,Relay,Connector.Our parts cover such applications as commercial,industrial, and automotives areas.

We are looking forward to setting up business relationship with you and hope to provide you with the best service and solution. Let us make a better world for our industry!



Contact us

Tel: +86-755-8981 8866 Fax: +86-755-8427 6832

Email & Skype: info@chipsmall.com Web: www.chipsmall.com

Address: A1208, Overseas Decoration Building, #122 Zhenhua RD., Futian, Shenzhen, China



deRFbreakout Board for pluggable radio modules

Datasheet

- The deRFbreakout Board is a general purpose I/O board to interface all pluggable types of dresden elektronik radio modules with custom peripheral hardware.
- Screw terminals and standard pin connectors give easy access all ports of the radio module.
- The standard JTAG programming connectors for AVR and ARM are assembled and the necessary pull-up resistors are onboard.
- The 10-pin screw terminal reserved for power supply connections.
- The board itself has no active components and no power consumption.



Technical Data

Dimensions

80 x 42 x 15 mm (without radio module)

IP protection

IP 00

Operating temperature

-40 to +85°C

Interfaces

1 x 10-pin JTAG AVR

1 x 20-pin JTAG ARM

1 x 6-pin DEBUG

1 x 2-pin SAM-BA™ support

4 x 10-pin screw terminals for GPIO

1 x 10-pin screw terminal for VCC and GND

2 x 23-pin socket for deRF radio modules

Supported Radio Modules

deRFarm7 series (pluggable)

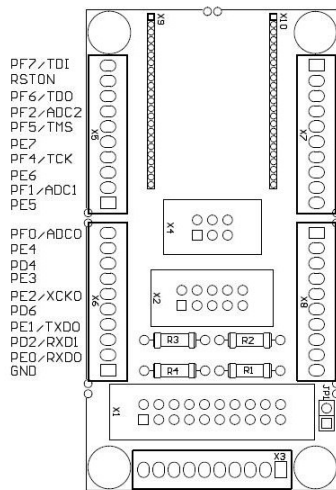
deRFmega128 series (pluggable)

deRFmega256 series (pluggable)

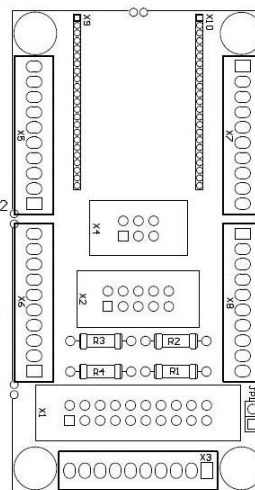
deRFsam3 series (pluggable)

Technical Data

Board Overlay



Top View deRFbreakout Board
for deRFmega128 series



Top View deRFbreakout Board
for deRFarm7 series

Header	Description	Header	Description
X1	JTAG ARM	X6	GPIO
X2	JTAG AVR	X7	GPIO
X3	Power Supply (5xVCC, 5xGND)	X8	GPIO
X4	DEBUG	X9	Radio module socket
X5	GPIO	X10	Radio module socket
		JP1	connect TCK with RTCK → support for SAM-BA™

For boards with product number #32689 on the PCB

The pin number markings '35' and '36' are wrong. The correct designation must be decreased by 1, which means '35' becomes '34' and '36' becomes '35'.

Scope of delivery

deRFbreakout Board

Order No.

BN-032688

Accessories (optional)

RS232 Level Shifter

BN-028560

USB Level Shifter Stick Basic

BN-031648

USB Level Shifter Stick Low Power

BN-031645

Order online: <https://shop.dresden-elektronik.de>

Overlay

Revision Notes

Order Information