



Chipsmall Limited consists of a professional team with an average of over 10 year of expertise in the distribution of electronic components. Based in Hongkong, we have already established firm and mutual-benefit business relationships with customers from,Europe,America and south Asia,supplying obsolete and hard-to-find components to meet their specific needs.

With the principle of “Quality Parts,Customers Priority,Honest Operation,and Considerate Service”,our business mainly focus on the distribution of electronic components. Line cards we deal with include Microchip,ALPS,ROHM,Xilinx,Pulse,ON,Everlight and Freescale. Main products comprise IC,Modules,Potentiometer,IC Socket,Relay,Connector.Our parts cover such applications as commercial,industrial, and automotives areas.

We are looking forward to setting up business relationship with you and hope to provide you with the best service and solution. Let us make a better world for our industry!



Contact us

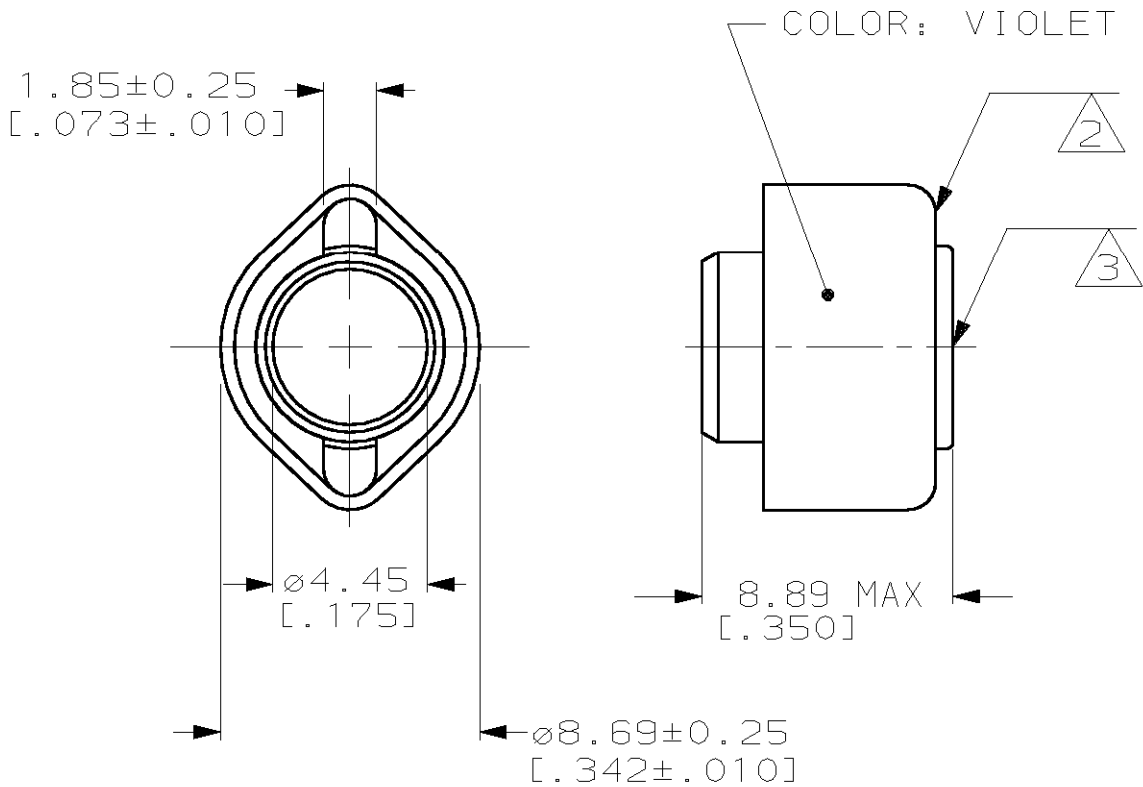
Tel: +86-755-8981 8866 Fax: +86-755-8427 6832

Email & Skype: info@chipsmall.com Web: www.chipsmall.com

Address: A1208, Overseas Decoration Building, #122 Zhenhua RD., Futian, Shenzhen, China



LOC	DIST	REVISIONS					
AJ	16	P	LTR	DESCRIPTION	DATE	DWN	APVD
			M	REV PER OU20-0563-00	19OCT00	MO	JL



INSULATION SIZE: 3.30-3.68 DIA
[.130-.145]

- 1 ZINC PLATE PER QQ-Z-325
- 2 COPPER PER QQ-C-576
- 3 BRASS PER ASTM-B-16
- 4 TIN PLATE PER MIL-T-10727

4	2-327137-2
1	327137
FINISH	PART NUMBER

RELEASED FOR PUBLICATION

THIS DRAWING IS UNPUBLISHED.

BY AMP INCORPORATED. ALL RIGHTS RESERVED. © COPYRIGHT 19

DIMENSIONS: mm [INCHES]	DWN J.L. GROFT	MATERIAL SEE NOTES	FINISH SEE NOTES
TOLERANCES UNLESS OTHERWISE SPECIFIED:	CHK S. BURKHOLDER	AMP Incorporated Harrisburg, PA 17105-3608	
0 PLC ±-	APVD S. BURKHOLDER		
1 PLC ±-	PRODUCT SPEC -	NAME FERRULE ASSEMBLY, TERMASHIELD	
2 PLC ±-	APPLICATION SPEC -	SIZE A4	CAGE CODE 00779
3 PLC ±.005	WEIGHT -	DRAWING NO C-327137	
4 PLC ±-		SCALE 4:1	SHEET 1 OF 1
ANGLES ±-		REV M	
CUSTOMER DRAWING			