



Chipsmall Limited consists of a professional team with an average of over 10 year of expertise in the distribution of electronic components. Based in Hongkong, we have already established firm and mutual-benefit business relationships with customers from,Europe,America and south Asia,supplying obsolete and hard-to-find components to meet their specific needs.

With the principle of “Quality Parts,Customers Priority,Honest Operation,and Considerate Service”,our business mainly focus on the distribution of electronic components. Line cards we deal with include Microchip,ALPS,ROHM,Xilinx,Pulse,ON,Everlight and Freescale. Main products comprise IC,Modules,Potentiometer,IC Socket,Relay,Connector.Our parts cover such applications as commercial,industrial, and automotives areas.

We are looking forward to setting up business relationship with you and hope to provide you with the best service and solution. Let us make a better world for our industry!



Contact us

Tel: +86-755-8981 8866 Fax: +86-755-8427 6832

Email & Skype: info@chipsmall.com Web: www.chipsmall.com

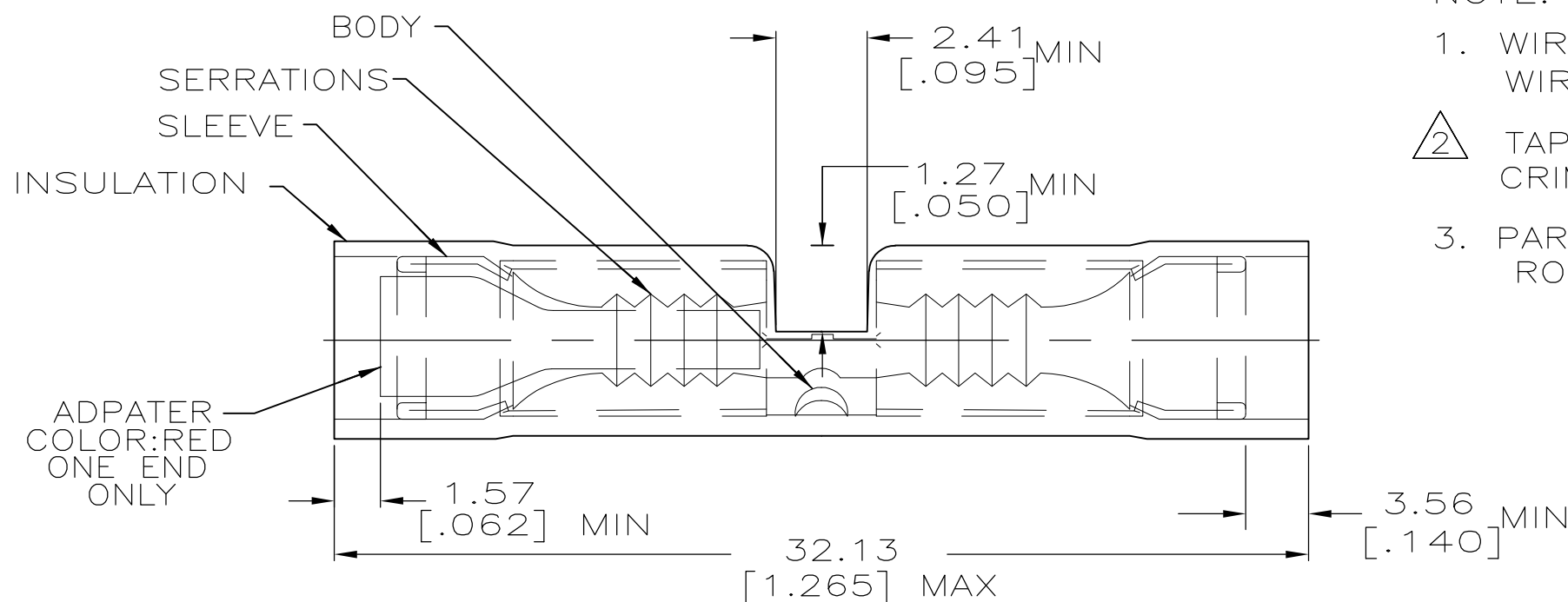
Address: A1208, Overseas Decoration Building, #122 Zhenhua RD., Futian, Shenzhen, China



THIS DRAWING IS UNPUBLISHED. RELEASED FOR PUBLICATION
 © COPYRIGHT - By - ALL RIGHTS RESERVED.

LOC	DIST	REVISIONS			
P	LTR	DESCRIPTION	DATE	DWN	APVD
G	14	L1	REVISED PER ECO-11-004917	11MAR11	RK HMR

AMP WIRE RANGE	Listed FILE E13288	LR7189 Certified
16-14 TO 22-18 AWG STRANDED	16-14 TO 22-18 AWG STRANDED	16-14 TO 22-18 AWG STRANDED



- NOTE:
1. WIRE INSULATION DIA 2.67[.105] TO 3.81[.150]
WIRE INSULATION DIA 1.27[.050] TO 2.92[.115]
 2. TAPE APPLIED TO PART SUCH THAT ADAPTER END IS CRIMPED IN APPLICATOR
 3. PARTS MANUFACTURED AFTER MAY 2005 ARE ROHS COMPLIANT.

2500	ON TAPE	2-327583-1
50	LOOSE PIECE	327583
QTY	PACKAGE TYPE	PART NUMBER

AMP INCORPORATED CUSTOMER SERVICE SYSTEMS		MAX RECOMMENDED OPERATING TEMPERATURE: 105° C	THIS DRAWING IS A CONTROLLED DOCUMENT.		DWN S.S. GOULDEN 9-28-93	TE Connectivity			
FOR ADDITIONAL PRODUCT INFORMATION OR COPIES OF DRAWINGS AND TECHNICAL DOCUMENTS	PRODUCT INFORMATION CENTER 1-800-522-6752	VOLTAGE RATING: 300V MAX	DIMENSIONS: INCHES	TOLERANCES UNLESS OTHERWISE SPECIFIED:	CHK R. HERSEY 9-28-93				NAME SPLICE, BUTT, P.I.D.G., WIRE SIZE: 16-14 TO 22-18 AWG
FOR APPLICATION TOOLING INFORMATION	TOOLING ASSISTANCE CENTER 1-800-722-1111	CIRCULAR MIL AREA: 1.04-2.62mm ² [2,050-5,180] 0.26-0.96mm ² [509-1,900] STRANDED		0 PLC ± - 1 PLC ± - 2 PLC ± 0.20[.008] 3 PLC ± - 4 PLC ± - ANGLES ± -	APVD T. MICHELUTTI 9-28-93	SIZE A3 00779			
FOR ORDER ENTRY	1-800-526-5142	THIS DRAWING IS A CONTROLLED DOCUMENT FOR AMP INCORPORATED. IT IS SUBJECT TO CHANGE AND THE CONTROLLING ENGINEERING ORGANIZATION SHOULD BE CONTACTED FOR THE LATEST REVISION.	MATERIAL COPPER ASTM B-152	FINISH TIN PLATE	PRODUCT SPEC -	DRAWING NO C-327583			
					WEIGHT -	RESTRICTED TO -			
					CUSTOMER DRAWING		SCALE 1:1	SHEET 1 OF 1	REV L1