



Chipsmall Limited consists of a professional team with an average of over 10 year of expertise in the distribution of electronic components. Based in Hongkong, we have already established firm and mutual-benefit business relationships with customers from,Europe,America and south Asia,supplying obsolete and hard-to-find components to meet their specific needs.

With the principle of "Quality Parts,Customers Priority,Honest Operation,and Considerate Service",our business mainly focus on the distribution of electronic components. Line cards we deal with include Microchip,ALPS,ROHM,Xilinx,Pulse,ON,Everlight and Freescale. Main products comprise IC,Modules,Potentiometer,IC Socket,Relay,Connector.Our parts cover such applications as commercial,industrial, and automotives areas.

We are looking forward to setting up business relationship with you and hope to provide you with the best service and solution. Let us make a better world for our industry!



Contact us

Tel: +86-755-8981 8866 Fax: +86-755-8427 6832

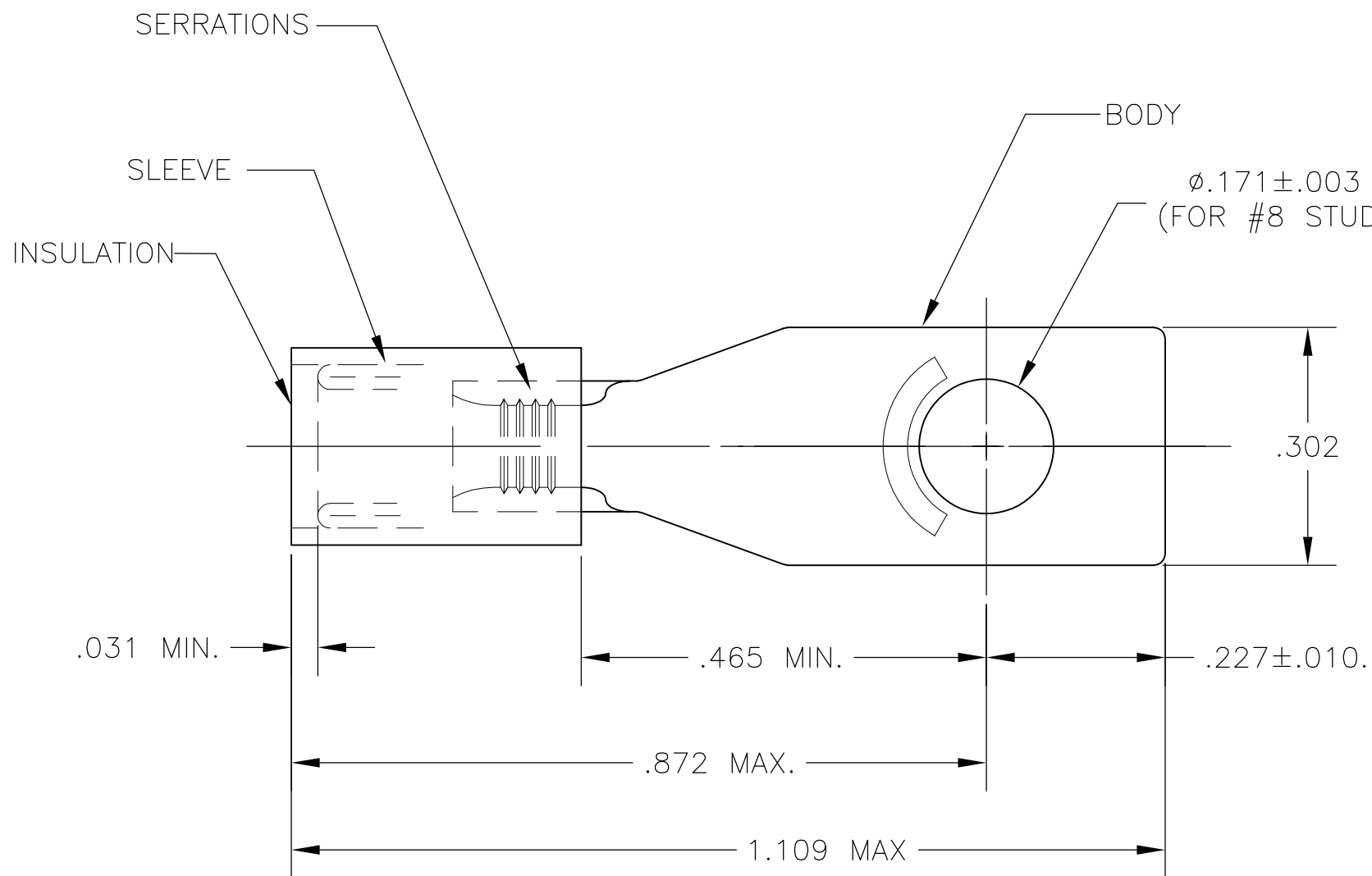
Email & Skype: info@chipsmall.com Web: www.chipsmall.com

Address: A1208, Overseas Decoration Building, #122 Zhenhua RD., Futian, Shenzhen, China



THIS DRAWING IS UNPUBLISHED. RELEASED FOR PUBLICATION
 © COPYRIGHT BY TYCO ELECTRONICS CORPORATION. ALL INTERNATIONAL RIGHTS RESERVED.

LOC	DIST	REVISIONS					
G	02	P	LTR	DESCRIPTION	DATE	DWN	APVD
			K3	REVISED PER ECR-09-026553	04DEC09	JR	TM



- △ 1 SUPERSEDED BY 327944
- 2 TONGUE MATERIAL THK=.031±.002 FOR .105 TO .140 WIRE INS. DIA
- 3 MARKING 22-18 FOR MILITARY COMMERCIAL RANGE 22-16
- △ 4 MEETS MS17143-7, CLASS 1 & 2
- △ 5 MEETS MS17143-7, CLASS 2

	100	LOOSE PC. BOX	8-327944-1	INSULATION SLEEVE, BODY: SAME AS 327944
△ 1	5000	2-327944-1 ON TAPE	2-327944-3	INSULATION: VINYL COLOR: RED BODY&SLEEVE: COPPER ASTM B-152 TIN PL ASTM B-545
△ 1	1000	WIRE TERMINAL	2-327944-1	
△ 1	5000	327944 ON TAPE	2-327944-2 △ 5	INSULATION: NYLON COLOR: RED SLEEVE: COPPER ASTM B-152 BODY: COPPER ASTM B-152 TIN PL ASTM B-545
	1000	WIRE TERMINAL	327944 △ 4	
	QTY	DESCRIPTION	PART NO	MATERIAL & FINISH

THIS DRAWING IS A CONTROLLED DOCUMENT.		DWN 09JUN08 RAGHAVENDRA HM	Tyco Electronics Corporation Harrisburg, PA 17105-3608	
DIMENSIONS: INCHES	TOLERANCES UNLESS OTHERWISE SPECIFIED:	CHK 09JUN08 T MICHIELUTTI	NAME WIRE TERMINAL, PIDG, RECTANGULAR TONGUE WIRE SIZE : 22-16	
	0 PLC ± - 1 PLC ± - 2 PLC ± - 3 PLC ± .008 4 PLC ± - ANGLES ± 5°	APVD 09JUN08 T MICHIELUTTI	PRODUCT SPEC -	
MATERIAL SEE TABLE	FINISH SEE TABLE	APPLICATION SPEC -	WEIGHT -	RESTRICTED TO -
		SIZE	CAGE CODE	DRAWING NO
		A3	00779	G-327944
CUSTOMER DRAWING		SCALE	SHEET	REV
		5:1	1 OF 1	K3