



Chipsmall Limited consists of a professional team with an average of over 10 year of expertise in the distribution of electronic components. Based in Hongkong, we have already established firm and mutual-benefit business relationships with customers from,Europe,America and south Asia,supplying obsolete and hard-to-find components to meet their specific needs.

With the principle of “Quality Parts,Customers Priority,Honest Operation,and Considerate Service”,our business mainly focus on the distribution of electronic components. Line cards we deal with include Microchip,ALPS,ROHM,Xilinx,Pulse,ON,Everlight and Freescale. Main products comprise IC,Modules,Potentiometer,IC Socket,Relay,Connector.Our parts cover such applications as commercial,industrial, and automotives areas.

We are looking forward to setting up business relationship with you and hope to provide you with the best service and solution. Let us make a better world for our industry!



## Contact us

Tel: +86-755-8981 8866 Fax: +86-755-8427 6832

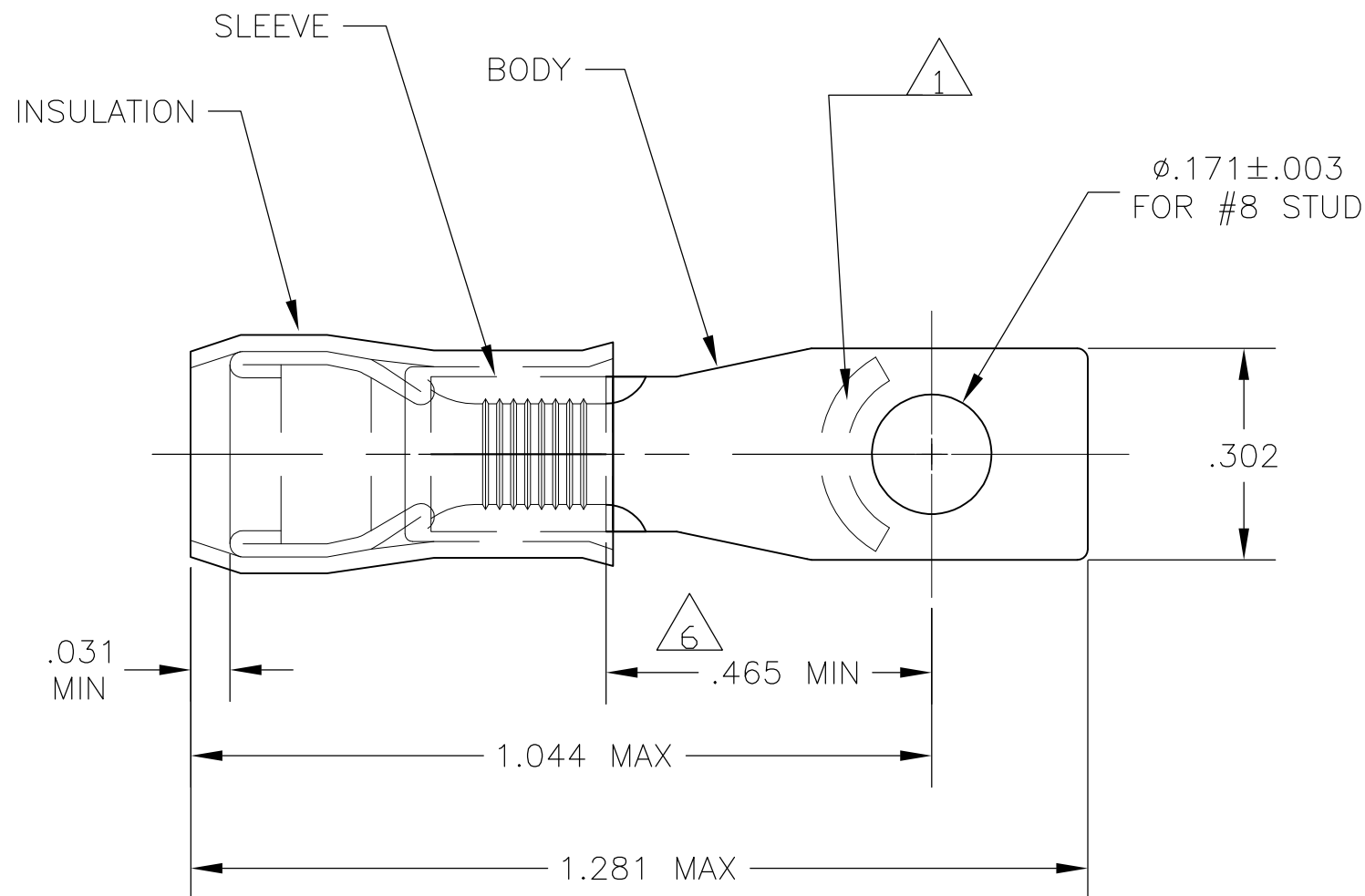
Email & Skype: info@chipsmall.com Web: www.chipsmall.com

Address: A1208, Overseas Decoration Building, #122 Zhenhua RD., Futian, Shenzhen, China



THIS DRAWING IS UNPUBLISHED. RELEASED FOR PUBLICATION  
 © COPYRIGHT - BY TYCO ELECTRONICS CORPORATION. ALL RIGHTS RESERVED.

LOC	DIST	REVISIONS			
P	LTR	DESCRIPTION	DATE	DWN	APVD
G	14	K1	REV PER ECR 09-027414	16DEC09	JR TM



- △ 1 STAMP AMP 12-10\* APPROX AS SHOWN
- 2 WIRE INSULATION DIA: .150-.230
- 3 TONGUE MATERIAL THK: .040±.002
- △ 4 BODY & SLEEVE: CU PER ASTM B152  
 BODY & SLEEVE: TIN PLATE .000100 MIN  
 EXT THK PER ASTM B545  
 INSULATION: NYLON, COLOR - YELLOW
- △ 5 BODY & SLEEVE: CU PER ASTM B152  
 BODY: TIN PLATE .000100 MIN EXT THK  
 PER ASTM B545  
 INSULATION: NYLON PER ASTM D4066  
 COLOR - YELLOW
- △ 6 APPLIES FROM EDGE OF METAL WIRE BARREL  
 TO CENTER OF STUD HOLE.
- △ 7 MEETS MS17143-9, CLASS 1 & 2

OBSOLETE	50	2-327948-1 ON TAPE & REEL	△ 5	2-327948-3
OBSOLETE	500	327948 ON TAPE & REEL	△ 4	2-327948-2
OBSOLETE	2500	LOOSE PIECE	△ 5	2-327948-1
	---	LOOSE PIECE	△ 4	△ 7 327948
	QTY	PACKAGE TYPE	MATERIAL FINISH	PART NO

<b>CUSTOMER SERVICE SYSTEMS</b>		MAX RECOMMENDED OPERATING TEMPERATURE: 105°C MAX	THIS DRAWING IS A CONTROLLED DOCUMENT.		DWN JR RUTH 16DEC09	<b>Tyco Electronics</b> Tyco Electronics Corporation Harrisburg, Pa 17105-3608			
FOR ADDITIONAL PRODUCT INFORMATION OR COPIES OF DRAWINGS AND TECHNICAL DOCUMENTS	PRODUCT INFORMATION CENTER 1-800-522-6752	VOLTAGE RATING: 300 VOLT MAX	DIMENSIONS: INCHES	TOLERANCES UNLESS OTHERWISE SPECIFIED:	CHK T MICHELUTTI 16DEC09	NAME TERMINAL, RECTANGULAR TONGUE, PIDG WIRE SIZE: 12-10 AWG			
FOR APPLICATION TOOLING INFORMATION	TOOLING ASSISTANCE CENTER 1-800-722-1111	CIRCULAR MIL AREA: 2.62-6.64mm² [5,180-13,100] STRANDED OR SOLID		0 PLC ± - 1 PLC ± - 2 PLC ± - 3 PLC ± .008 4 PLC ± - ANGLES ± -	APVD T MICHELUTTI 16DEC09	SIZE	CAGE CODE	DRAWING NO	RESTRICTED TO
FOR ORDER ENTRY	1-800-526-5142	THIS DRAWING IS A CONTROLLED DOCUMENT FOR AMP INCORPORATED. IT IS SUBJECT TO CHANGE AND THE CONTROLLING ENGINEERING ORGANIZATION SHOULD BE CONTACTED FOR THE LATEST REVISION.	MATERIAL SEE TABLE	FINISH SEE TABLE	PRODUCT SPEC -	WEIGHT -	A300779	G-327948	-
					CUSTOMER DRAWING		SCALE 4:1	SHEET 1 OF 1	REV K1