

Chipsmall Limited consists of a professional team with an average of over 10 year of expertise in the distribution of electronic components. Based in Hongkong, we have already established firm and mutual-benefit business relationships with customers from,Europe,America and south Asia,supplying obsolete and hard-to-find components to meet their specific needs.

With the principle of “Quality Parts,Customers Priority,Honest Operation,and Considerate Service”,our business mainly focus on the distribution of electronic components. Line cards we deal with include Microchip,ALPS,ROHM,Xilinx,Pulse,ON,Everlight and Freescale. Main products comprise IC,Modules,Potentiometer,IC Socket,Relay,Connector.Our parts cover such applications as commercial,industrial, and automotives areas.

We are looking forward to setting up business relationship with you and hope to provide you with the best service and solution. Let us make a better world for our industry!



Contact us

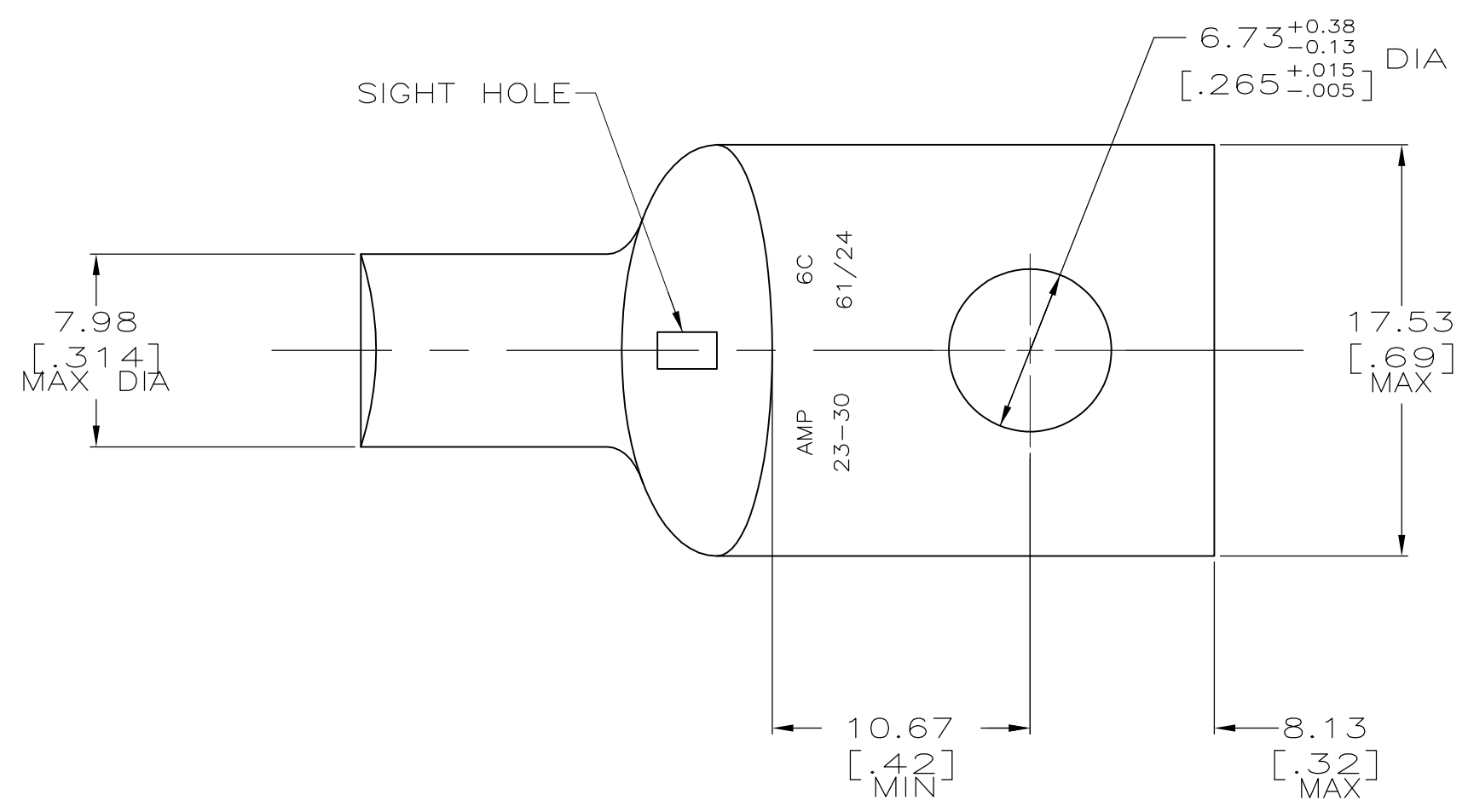
Tel: +86-755-8981 8866 Fax: +86-755-8427 6832

Email & Skype: info@chipsmall.com Web: www.chipsmall.com

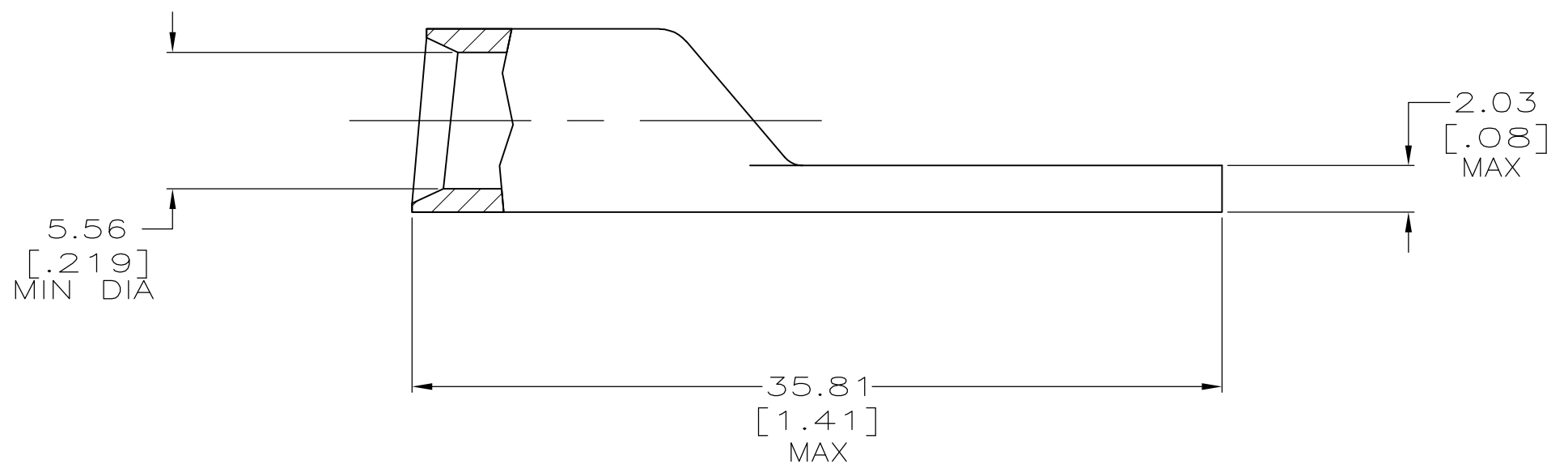
Address: A1208, Overseas Decoration Building, #122 Zhenhua RD., Futian, Shenzhen, China

THIS DRAWING IS UNPUBLISHED. RELEASED FOR PUBLICATION
 © COPYRIGHT - By - ALL RIGHTS RESERVED.

LOC	DIST	REVISIONS			26APR99	ME/TM
G	86	P	LTR	DESCRIPTION	DATE	OWN
		T1		REVISED PER ECO-11-004917	11MAR11	RK
						HMR



1 CIRCULAR MIL AREA RANGE: 20,800-33,100 CM
 2 TIN PL 0.00381[.000150] MIN THK PER ASTM B 545



328142

B

A

328142
 PART NO

THIS DRAWING IS A CONTROLLED DOCUMENT.		DWN	DK SCHRUM	02/28/90	STE TE Connectivity	
		CHK	MS FEHER	19/JAN95		
DIMENSIONS: MM[INCHES]		TOLERANCES UNLESS OTHERWISE SPECIFIED:		APVD	NAME	
		0 PLC ± -		WJ VOCKROTH	108-30200	
		1 PLC ± -		PRODUCT SPEC		
		2 PLC ± 0.51[.020]		APPLICATION SPEC		
		3 PLC ± -		SIZE		
		4 PLC ± -		CAGE CODE		
		ANGLES ± ± -		DRAWING NO		
MATERIAL		FINISH		WEIGHT		RESTRICTED TO
ANNEALED COPPER		2		.015 LB		
ASTM B-152				A2 00779 G-328142		
CUSTOMER DRAWING				SCALE	SHEET	REV
				4:1	1 of 1	T1