



Chipsmall Limited consists of a professional team with an average of over 10 year of expertise in the distribution of electronic components. Based in Hongkong, we have already established firm and mutual-benefit business relationships with customers from,Europe,America and south Asia,supplying obsolete and hard-to-find components to meet their specific needs.

With the principle of “Quality Parts,Customers Priority,Honest Operation,and Considerate Service”,our business mainly focus on the distribution of electronic components. Line cards we deal with include Microchip,ALPS,ROHM,Xilinx,Pulse,ON,Everlight and Freescale. Main products comprise IC,Modules,Potentiometer,IC Socket,Relay,Connector.Our parts cover such applications as commercial,industrial, and automotives areas.

We are looking forward to setting up business relationship with you and hope to provide you with the best service and solution. Let us make a better world for our industry!



Contact us

Tel: +86-755-8981 8866 Fax: +86-755-8427 6832

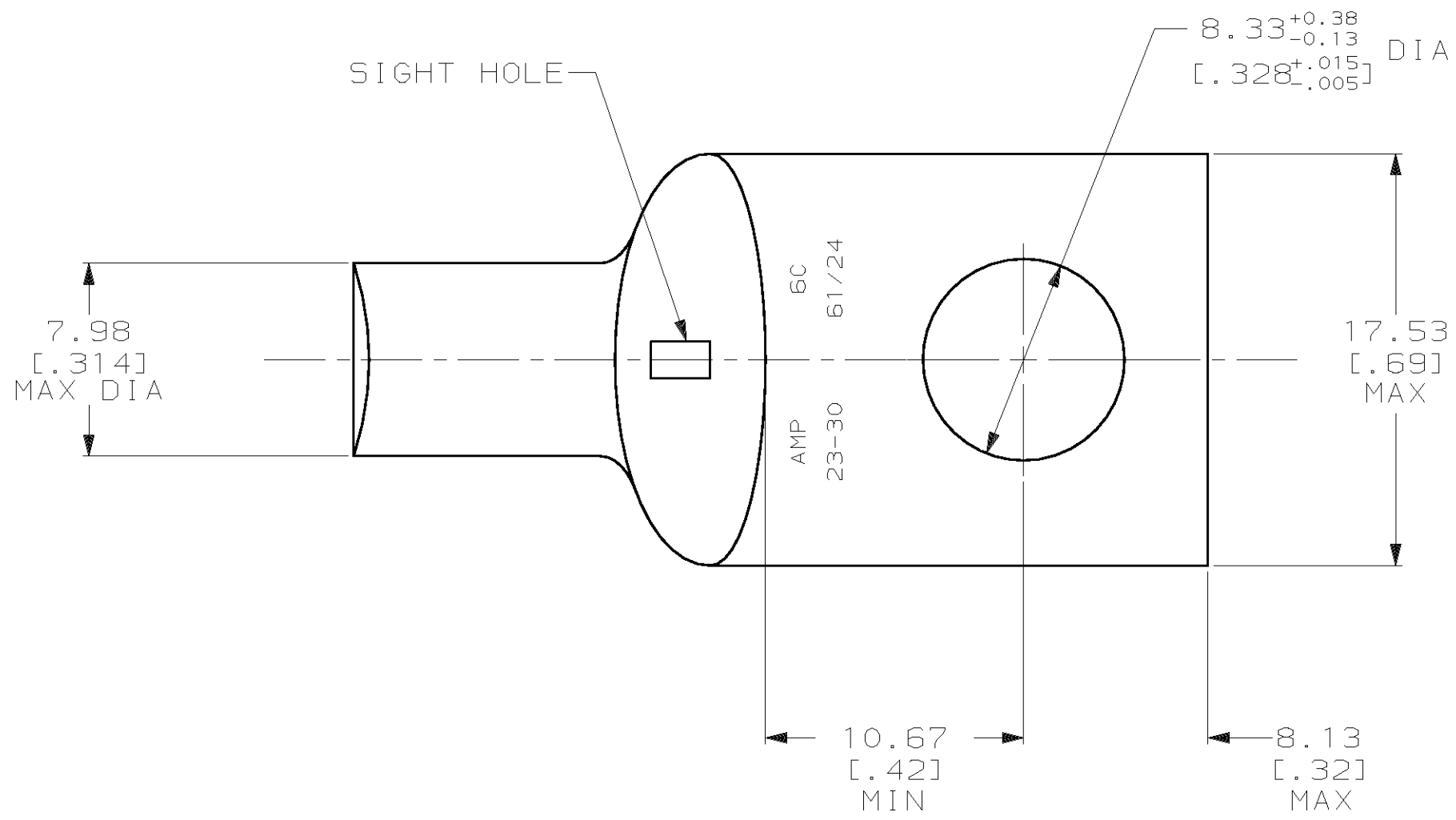
Email & Skype: info@chipsmall.com Web: www.chipsmall.com

Address: A1208, Overseas Decoration Building, #122 Zhenhua RD., Futian, Shenzhen, China

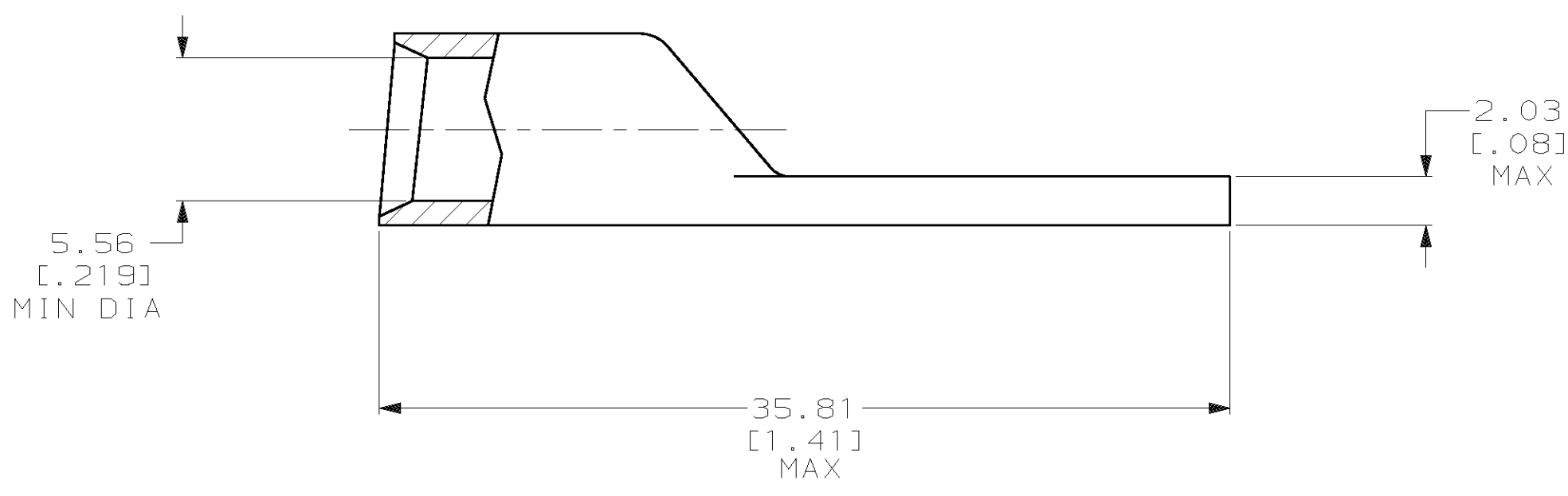


THIS DRAWING IS UNPUBLISHED. RELEASED FOR PUBLICATION
 © COPYRIGHT 19 BY AMP INCORPORATED. ALL INTERNATIONAL RIGHTS RESERVED.

REVISIONS									
LOC	DIST	P	F	ZONE	LTR	DESCRIPTION	DATE	APPD	
G	86				5	REV / 0G10-0059-99	26APR99	ME/TH	



1 CIRCULAR MIL AREA RANGE: 20,800-33,100 CM
 2 TIN PL 0.00381 [.000150] MIN THK PER ASTM B 545



328143

328143
 PART NO

DO NOT SCALE PRINT. UNLESS SPECIFIED DIMENSIONS IN mm [INCHES] TOLERANCES ON: 2 PLC DEC ± 0.51 [.020] 3 PLC DEC ± - ANGLES ± -	DR 02/28/90 DK 5CHRUM	AMP INCORPORATED Harrisburg, Pa. 17105
	CHK 19JAN95 MS FEHER	
MATERIAL ANNEALED COPPER ASTM B-152	APPD 19JAN95 WJ VOCKROTH	NAME
	APPD 19JAN95 TL SHUTTER	TERMINAL, AMPOWER™, WIRE SIZE: 6 AWG
FINISH △	PRODUCT SPEC 108-30200	SIZE C
	APPLICATION SPEC -	CAGE CODE 00779
	WEIGHT .015 LB	DRAWING NO 328143
		SCALE 4:1
		SHEET 1 OF 1

