



Chipsmall Limited consists of a professional team with an average of over 10 year of expertise in the distribution of electronic components. Based in Hongkong, we have already established firm and mutual-benefit business relationships with customers from,Europe,America and south Asia,supplying obsolete and hard-to-find components to meet their specific needs.

With the principle of "Quality Parts,Customers Priority,Honest Operation,and Considerate Service",our business mainly focus on the distribution of electronic components. Line cards we deal with include Microchip,ALPS,ROHM,Xilinx,Pulse,ON,Everlight and Freescale. Main products comprise IC,Modules,Potentiometer,IC Socket,Relay,Connector.Our parts cover such applications as commercial,industrial, and automotives areas.

We are looking forward to setting up business relationship with you and hope to provide you with the best service and solution. Let us make a better world for our industry!



Contact us

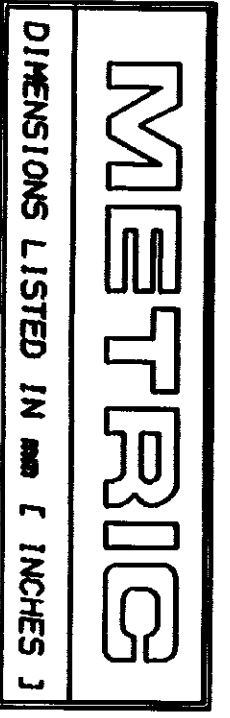
Tel: +86-755-8981 8866 Fax: +86-755-8427 6832

Email & Skype: info@chipsmall.com Web: www.chipsmall.com

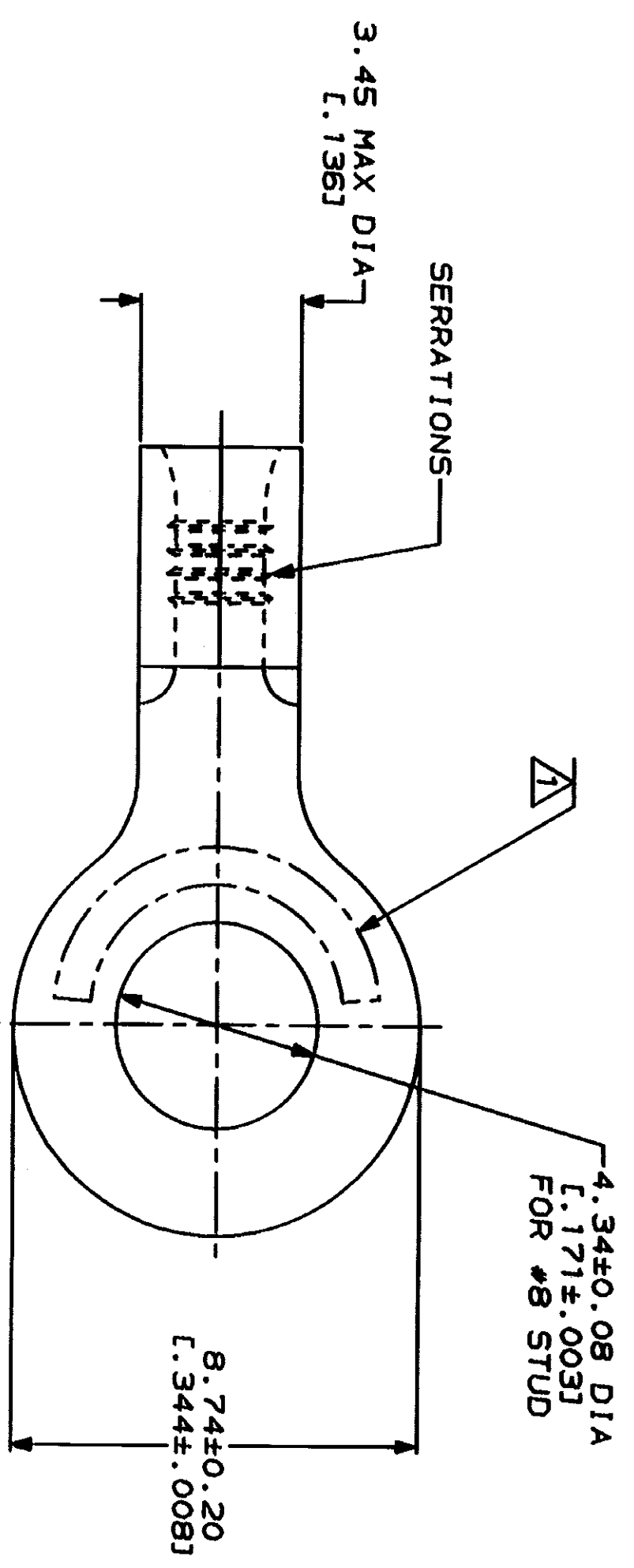
Address: A1208, Overseas Decoration Building, #122 Zhenhua RD., Futian, Shenzhen, China



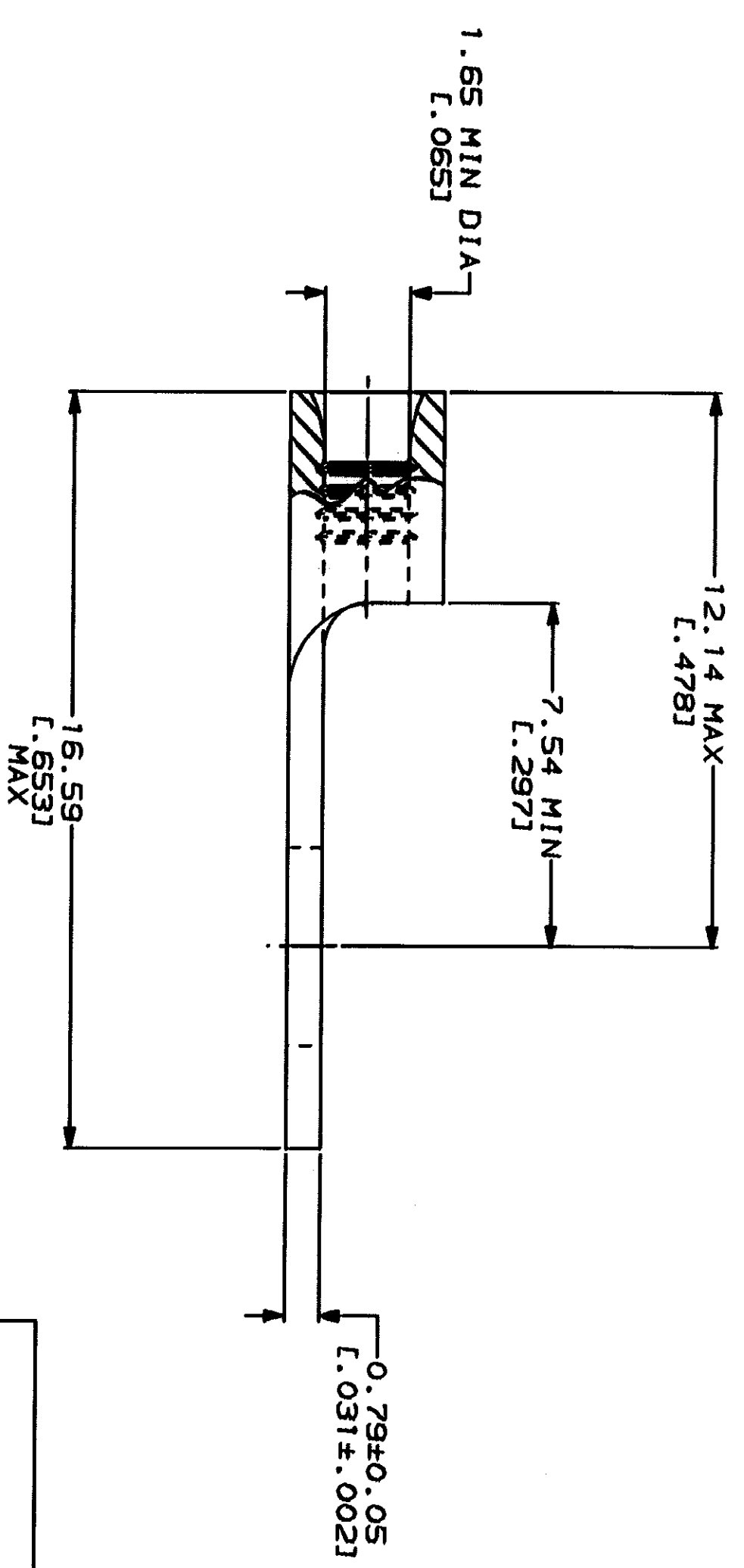
LOC	DIST	ZONE	LTR	REVISIONS	DATE	APPD
6	14			REVISED PER 0720-0230-93		



WIRE RANGE	E13288 Listed
22-16 AWG STRANDED	22-16 AWG STRANDED
LR7189 Certified	MILITARY P/N AND CLASS
NOT CERTIFIED	NOT APPLICABLE



△ STAMP AMP 22-18* APPROX AS SHOWN
 22-16 TERMINALS ARE STAMPED 22-18 IN
 ACCORDANCE WITH MILITARY SPECIFICATION
 MIL-T-7928, COMMERCIAL WIRE RANGE IS 22-16



AMP INCORPORATED
 CUSTOMER SERVICE SYSTEMS

FOR ADDITIONAL
 PRODUCT INFORMATION OR
 COPIES OF DRAWINGS
 AND TECHNICAL DOCUMENTS

PRODUCT INFORMATION CENTER
 1-800-522-6752

FOR APPLICATION
 TOOLING INFORMATION

VOLTAGE RATING:
 NOT APPLICABLE

FOR ORDER ENTRY

WIRE CROSS SECTIONAL AREA RANGE:
 0.26-1.65mm² [509-3,260] CIR MILS
 STRANDED

DO NOT SCALE PRINT.
 UNLESS SPECIFIED
 DIMENSIONS IN mm - FINISHES -
 TOLERANCES ON:
 2 PLG DEC ± .05
 3 PLG DEC ± .05
 ANGLES
 MATERIAL
 COPPER PER
 ASTM B-152
 ANNEALED

DR 2-26-93
 TA BRINKMAN
 CHK 2-26-93
 DA PATTERSON
 APPD 2-26-93
 DE MILLER
 APPD 2-26-93
 JL HECKLEY
 PRODUCT SPEC

AMP Incorporated
 Harrisburg, PA 17105-3508

TERMINAL, RING TONGUE,
 BUDGET

FINISH
 TIN PLATE
 0.00254L.0001001 MIN
 THK PER MIL-T-10727

APPLICATION SPEC
 WEIGHT

SIZE
 CAGE CODE
 00779
 DRAWING NO
 G-32823

32823
 PART NO