



Chipsmall Limited consists of a professional team with an average of over 10 year of expertise in the distribution of electronic components. Based in Hongkong, we have already established firm and mutual-benefit business relationships with customers from,Europe,America and south Asia,supplying obsolete and hard-to-find components to meet their specific needs.

With the principle of “Quality Parts,Customers Priority,Honest Operation,and Considerate Service”,our business mainly focus on the distribution of electronic components. Line cards we deal with include Microchip,ALPS,ROHM,Xilinx,Pulse,ON,Everlight and Freescale. Main products comprise IC,Modules,Potentiometer,IC Socket,Relay,Connector.Our parts cover such applications as commercial,industrial, and automotives areas.

We are looking forward to setting up business relationship with you and hope to provide you with the best service and solution. Let us make a better world for our industry!



Contact us

Tel: +86-755-8981 8866 Fax: +86-755-8427 6832

Email & Skype: info@chipsmall.com Web: www.chipsmall.com

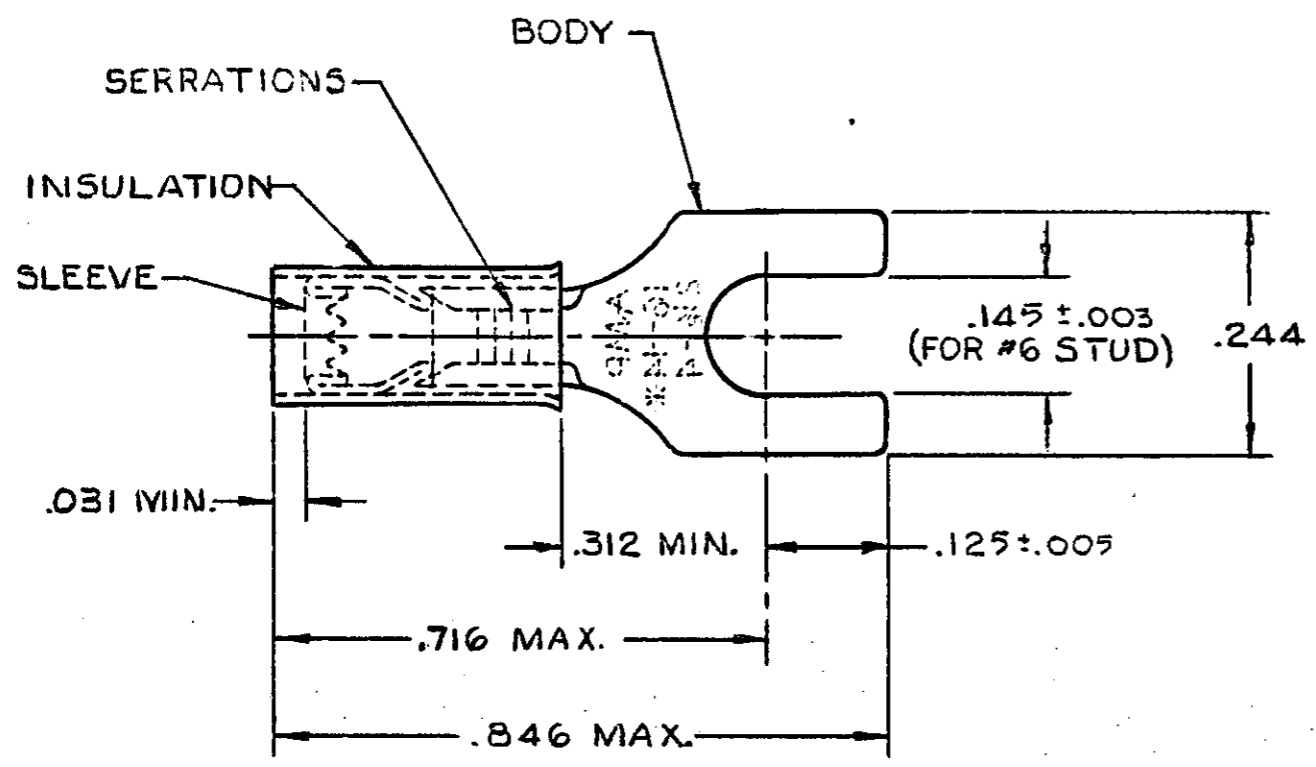
Address: A1208, Overseas Decoration Building, #122 Zhenhua RD., Futian, Shenzhen, China



THIS DRAWING IS UNPUBLISHED. RELEASED FOR PUBLICATION

© COPYRIGHT — BY —

REVISIONS						
P	F	ZONE	LTR	DESCRIPTION	DATE	APPROVED
			K1	REVISED PER ECO-11-005294	08APR11	HMR



- 1 WIRE INSULATION DIA: SEE TABLE.
- 2 TONGUE MATERIAL THK: .031 ± .002

	.115-.170	100	LOOSE PC, BOX	8-328281-1
OB	.115-.170	100	ON TAPE, SM. BOX	1-328281-4
OB	.115-.170	1000	ON TAPE, LG. BOX	1-328281-3
OB	.105-.170	2000	ON TAPE, REEL	1-328281-2
	.115-.170	5000	ON TAPE, REEL	1-328281-1
OB	.105-.170	---	LOOSE PIECE	1-328281-0
	.115-.170	---	LOOSE PIECE	328281
	WIRE INS. DIA.	QUANTITY	DESCRIPTION	PART NO

UNLESS OTHERWISE SPECIFIED DIMENSIONS ARE IN INCHES. TOLERANCES ON: DECIMALS ± .008 ANGLES ±	CONTRACT NO		TE Connectivity	
	DR UTA/RFB 10-4-85			
MATERIAL INSULATION: NYLON - BLUE BODY & SLEEVE: COPPER (CG-C-576)	CHK P. M. [Signature] 2-13-86		NAME	
	APPD [Signature] 12-13-85		TERMINAL P.I.D.G., SPADE WIRE SIZE: 16-14	
FINISH BODY & SLEEVE TIN PL (MIL-T-10727) .000100 MIN. THK.	DSGN APPD	SIZE	FSCM NO	DRAWING NO
	OTHER APPD	B	00779	328281
SCALE			NTS	SHEET 1 OF 1