



Chipsmall Limited consists of a professional team with an average of over 10 year of expertise in the distribution of electronic components. Based in Hongkong, we have already established firm and mutual-benefit business relationships with customers from,Europe,America and south Asia,supplying obsolete and hard-to-find components to meet their specific needs.

With the principle of “Quality Parts,Customers Priority,Honest Operation,and Considerate Service”,our business mainly focus on the distribution of electronic components. Line cards we deal with include Microchip,ALPS,ROHM,Xilinx,Pulse,ON,Everlight and Freescale. Main products comprise IC,Modules,Potentiometer,IC Socket,Relay,Connector.Our parts cover such applications as commercial,industrial, and automotives areas.

We are looking forward to setting up business relationship with you and hope to provide you with the best service and solution. Let us make a better world for our industry!



Contact us

Tel: +86-755-8981 8866 Fax: +86-755-8427 6832

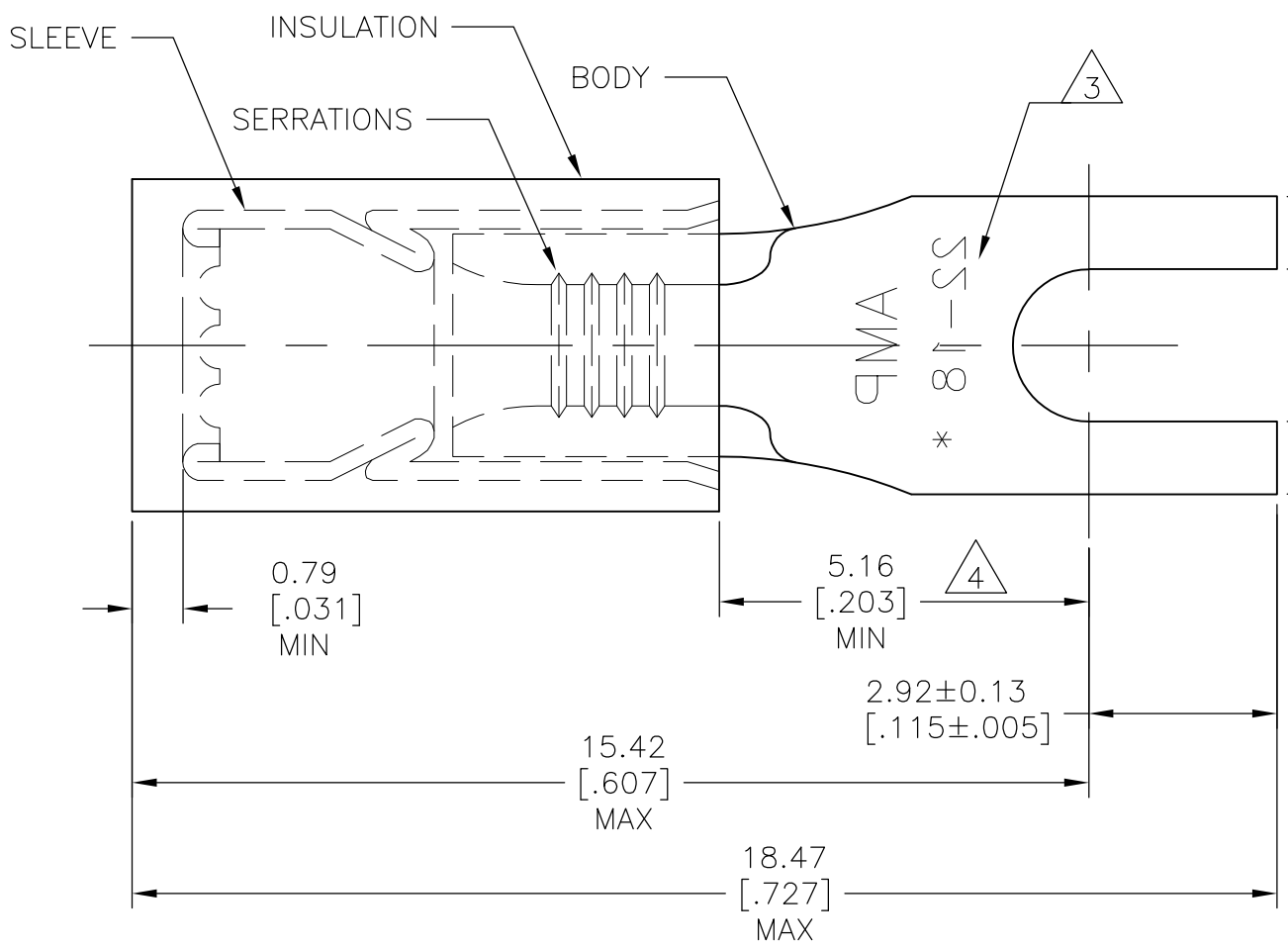
Email & Skype: info@chipsmall.com Web: www.chipsmall.com

Address: A1208, Overseas Decoration Building, #122 Zhenhua RD., Futian, Shenzhen, China



THIS DRAWING IS UNPUBLISHED. RELEASED FOR PUBLICATION
 © COPYRIGHT - By - ALL RIGHTS RESERVED.

LOC		DIST		REVISIONS			
P	LTR	DESCRIPTION	DATE	DWN	APVD		
G2		NEW DRAWING PER ECO-11-019045	03APR12	KH	DR		



AMP WIRE RANGE	Listed FILE E13288	LR7189 Certified
22-16 AWG SOLID OR STRANDED	22-16 AWG SOLID OR STRANDED	22-16 AWG SOLID OR STRANDED

- 1 TONGUE MATERIAL THK: 0.79±0.05[.031±.002]
- 2 FOR WIRE INSULATION DIA: 2.67[.105] TO 3.56[.140]
- 3 STAMP AMP 22-18* APPROX AS SHOWN, 22-16 TERMINALS ARE STAMPED 22-18 IN ACCORDANCE WITH MILITARY SPEC SAE AS7928, COMMERCIAL WIRE RANGE IS 22-16.
- 4 DIMENSION APPLIES FROM EDGE OF METAL WIRE BARREL TO CENTER OF STUD.
- 5 MATERIAL: BODY & SLEEVE: COPPER PER ASTM B152. INSULATION : NYLON
- 6 FINISH: BODY & SLEEVE: TIN PLATE PER ASTM B545. INSULATION: COLOR-RED.

100	LOOSE PC, BOX	8-328394-1
5000	ON TAPE REEL	2-328394-1
1000	LOOSE PIECE	328394
QTY	PACKAGE TYPE	PART NO

AMP INCORPORATED
CUSTOMER SERVICE SYSTEMS

FOR ADDITIONAL PRODUCT INFORMATION OR COPIES OF DRAWINGS AND TECHNICAL DOCUMENTS
 PRODUCT INFORMATION CENTER
 1-800-522-6752

FOR APPLICATION TOOLING INFORMATION
 TOOLING ASSISTANCE CENTER
 1-800-722-1111

FOR ORDER ENTRY
 1-800-526-5142

RECOMMENDED OPERATING TEMPERATURE:
 105°C [221°F]

VOLTAGE RATING:
 300V MAX

WIRE CROSS SECTIONAL AREA RANGE:
 0.26-1.65mm² [509-3260] CIR.MIL
 SOLID OR STRANDED

THIS DRAWING IS A CONTROLLED DOCUMENT.

DIMENSIONS: mm [INCHES]	TOLERANCES UNLESS OTHERWISE SPECIFIED:
	0 PLC ± -
	1 PLC ± -
	2 PLC ± 0.20[.008]
	3 PLC ± -
	4 PLC ± -
	ANGLES ± 5°
MATERIAL	FINISH
5	6

DWN KIRAN HOLAL 03APR12
 CHK ROHDE DANIEL 03APR12
 APVD ROHDE DANIEL 03APR12

TE Connectivity

NAME
 WIRE TERMINAL
 P.I.D.G™-SPADE WIRE SIZE: 22-16

SIZE	CAGE CODE	DRAWING NO	RESTRICTED TO
A3	00779	G-328394	-

WEIGHT -

CUSTOMER DRAWING SCALE 10:1 SHEET 1 of 1 REV G2