



Chipsmall Limited consists of a professional team with an average of over 10 year of expertise in the distribution of electronic components. Based in Hongkong, we have already established firm and mutual-benefit business relationships with customers from,Europe,America and south Asia,supplying obsolete and hard-to-find components to meet their specific needs.

With the principle of "Quality Parts,Customers Priority,Honest Operation,and Considerate Service",our business mainly focus on the distribution of electronic components. Line cards we deal with include Microchip,ALPS,ROHM,Xilinx,Pulse,ON,Everlight and Freescale. Main products comprise IC,Modules,Potentiometer,IC Socket,Relay,Connector.Our parts cover such applications as commercial,industrial, and automotives areas.

We are looking forward to setting up business relationship with you and hope to provide you with the best service and solution. Let us make a better world for our industry!



## Contact us

Tel: +86-755-8981 8866 Fax: +86-755-8427 6832

Email & Skype: info@chipsmall.com Web: www.chipsmall.com

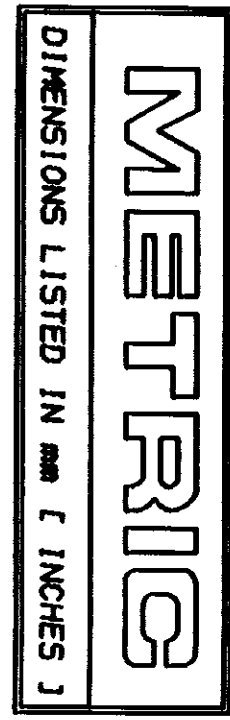
Address: A1208, Overseas Decoration Building, #122 Zhenhua RD., Futian, Shenzhen, China



| LOC | DIST | REV | DATE | APPD |
|-----|------|-----|------|------|
| G   | 14   |     |      |      |

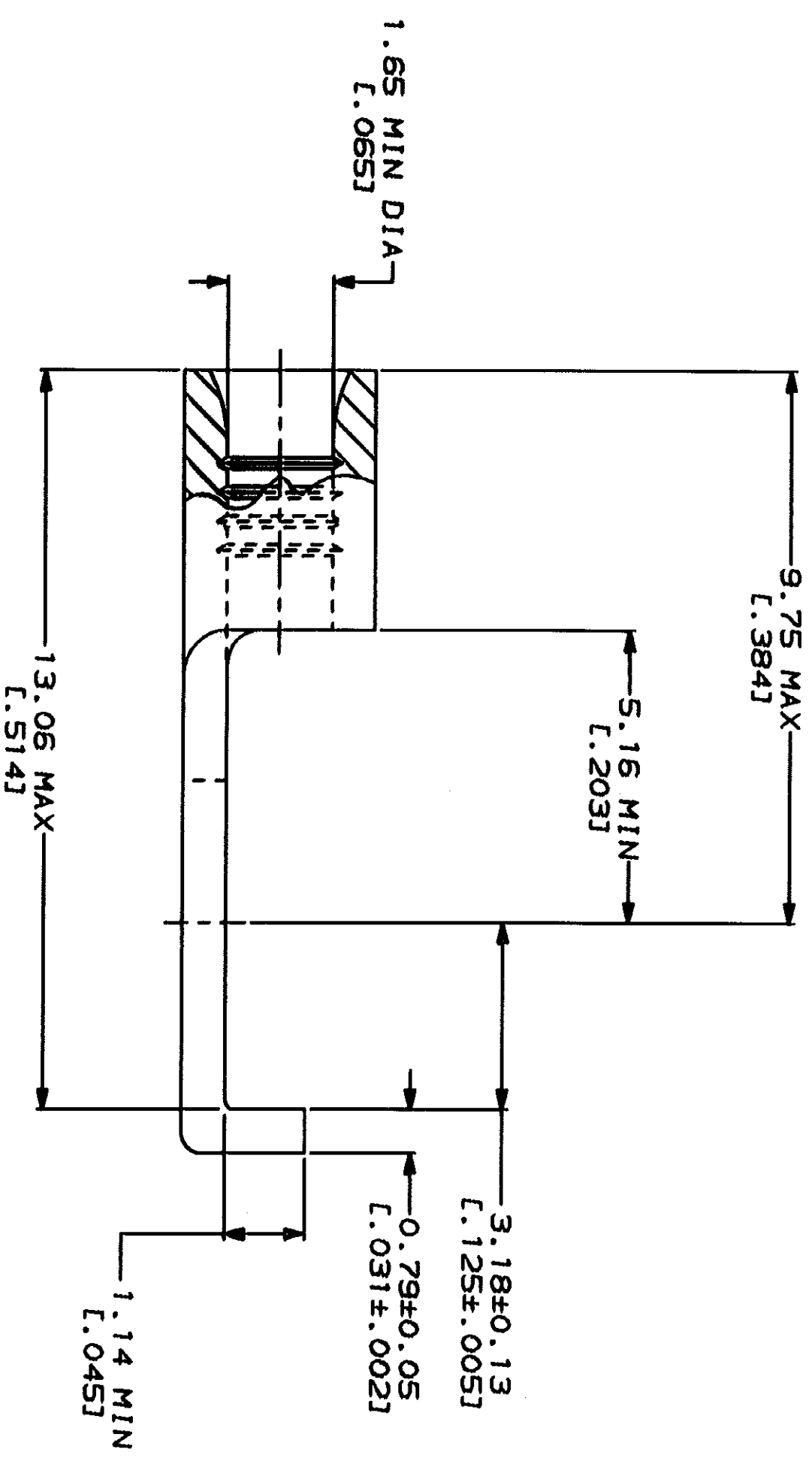
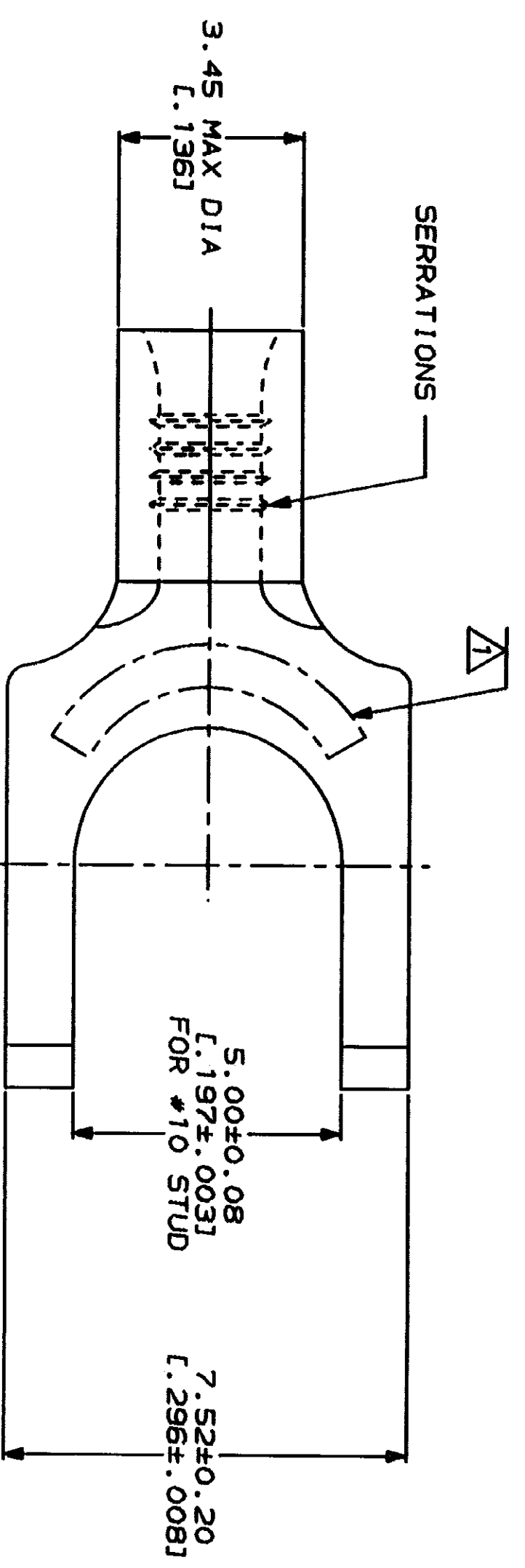
  

| REVISIONS |                          | DATE    | APPD |
|-----------|--------------------------|---------|------|
| 1         | REVISED PER 0720-0230-93 | 2/28/94 | AMP  |



|                    |                        |
|--------------------|------------------------|
| AMP WIRE RANGE     | IL E13288 Listed       |
| 22-16 AWG STRANDED | 22-16 AWG STRANDED     |
| NOT CERTIFIED      | MILITARY P/N AND CLASS |
|                    | NOT APPLICABLE         |

△ STAMP AMP 22-18\* APPROX AS SHOWN  
 22-16 TERMINALS ARE STAMPED 22-18 IN  
 ACCORDANCE WITH MILITARY SPECIFICATION  
 MIL-T-7928, COMMERCIAL WIRE RANGE IS 22-16



**AMP INCORPORATED  
 CUSTOMER SERVICE SYSTEMS**

FOR ADDITIONAL  
 PRODUCT INFORMATION OR  
 COPIES OF DRAWINGS  
 AND TECHNICAL DOCUMENTS

FOR APPLICATION  
 TOOLING INFORMATION  
 FOR ORDER ENTRY

MAX RECOMMENDED OPERATING  
 TEMPERATURE:  
 170°C MAX

VOLTAGE RATING:  
 NOT APPLICABLE

WIRE CROSS SECTIONAL AREA RANGE:  
 0.26-1.65mm<sup>2</sup> [509-3,260] CIR MILS  
 STRANDED

DO NOT SCALE PRINT.  
 DIMENSIONS SPECIFIED  
 UNLESS OTHERWISE  
 INDICATED. DIMENSIONS  
 TOLERANCES ON:  
 2 PLC DEC ± .01  
 3 PLC DEC ± .005  
 ANGLES ± .5°  
 MATERIAL

COPPER PER  
 ASTM B-152  
 ANNEALED  
 FINISH  
 TIN PLATE  
 0.0025(±.000100) MIN  
 THK PER MIL-T-10727

DR 3-2-93  
 TA BRINKMAN  
 CHK 3-2-93  
 DA PATTERSON

APPD 3-2-93  
 DE MILLER  
 APPD 3-2-93  
 JL HICKLEY  
 PRODUCT SPEC

APPLICATION SPEC  
 WEIGHT

AMP Incorporated  
 Harrisburg, PA 17105-3508

**TERMINAL, FLANGED  
 SPADE, BUDGET**

SIZE CASE CODE DRAWING NO  
 C 00779 C-328522  
 SCALE 10:1 SHEET 1 OF 1

328522  
 PART NO