



Chipsmall Limited consists of a professional team with an average of over 10 year of expertise in the distribution of electronic components. Based in Hongkong, we have already established firm and mutual-benefit business relationships with customers from,Europe,America and south Asia,supplying obsolete and hard-to-find components to meet their specific needs.

With the principle of "Quality Parts,Customers Priority,Honest Operation,and Considerate Service",our business mainly focus on the distribution of electronic components. Line cards we deal with include Microchip,ALPS,ROHM,Xilinx,Pulse,ON,Everlight and Freescale. Main products comprise IC,Modules,Potentiometer,IC Socket,Relay,Connector.Our parts cover such applications as commercial,industrial, and automotives areas.

We are looking forward to setting up business relationship with you and hope to provide you with the best service and solution. Let us make a better world for our industry!



Contact us

Tel: +86-755-8981 8866 Fax: +86-755-8427 6832

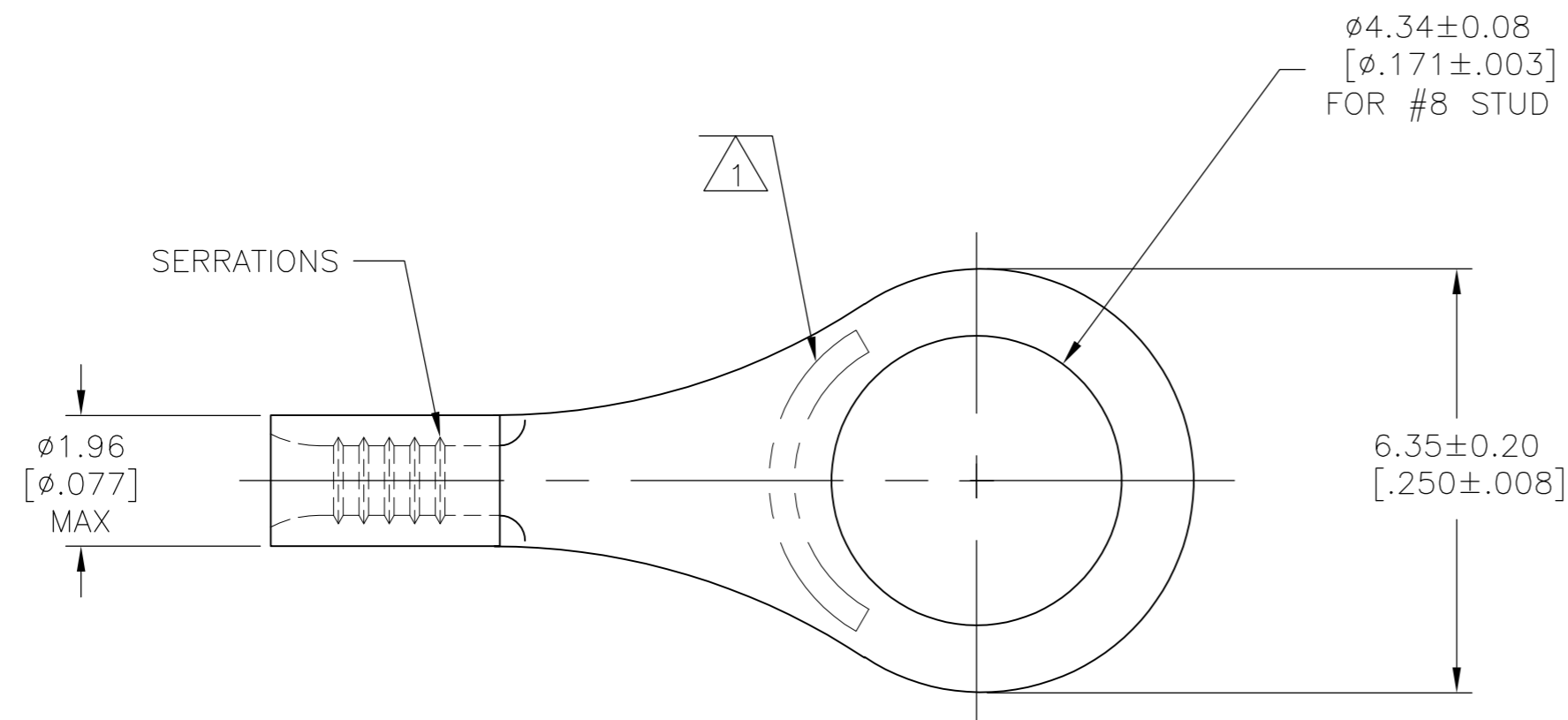
Email & Skype: info@chipsmall.com Web: www.chipsmall.com

Address: A1208, Overseas Decoration Building, #122 Zhenhua RD., Futian, Shenzhen, China



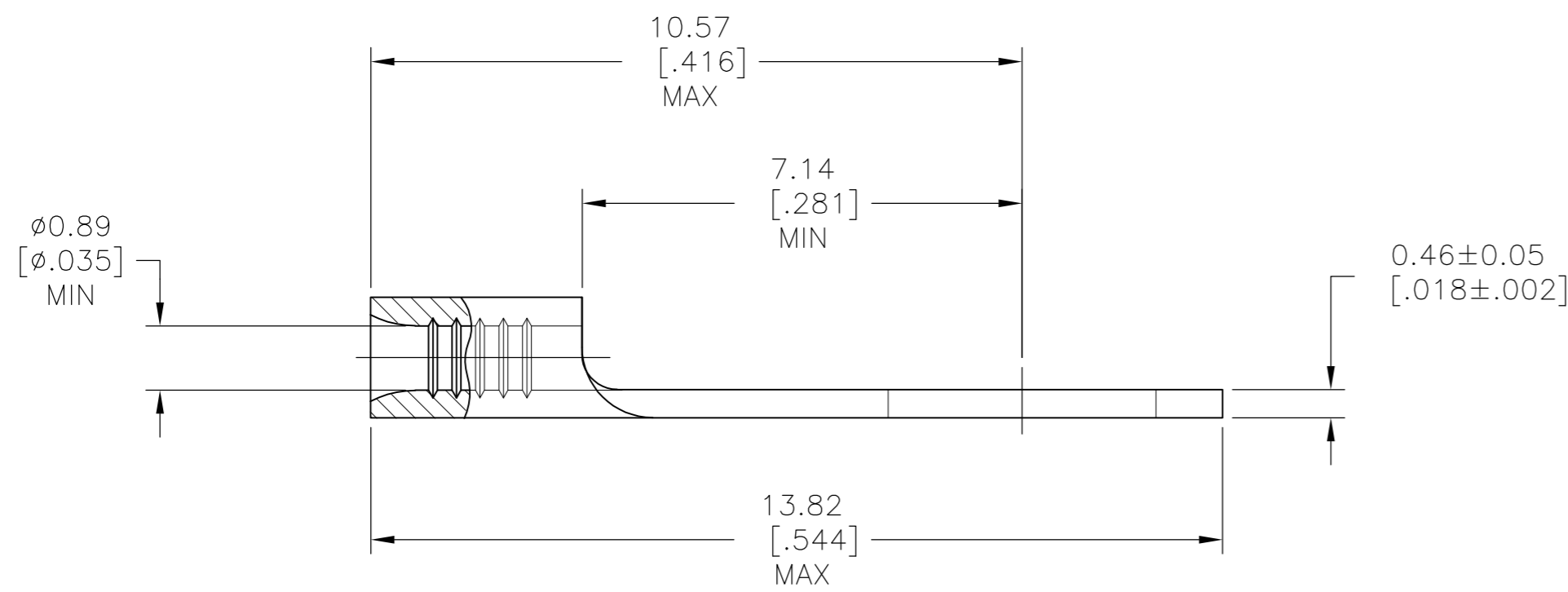
THIS DRAWING IS UNPUBLISHED. RELEASED FOR PUBLICATION
 © COPYRIGHT - By - ALL RIGHTS RESERVED.

LOC		DIST		REVISIONS			
P	LTR	DESCRIPTION		DATE	DWN	APVD	
G	14	D3		REVISED PER ECO-12-021425	11DEC12	KH DR	



AMP WIRE RANGE	Listed FILE E13288	LR7189 Certified
26-22 AWG STRANDED	NOT LISTED	NOT LISTED

- 1 STAMP AMP APPROX AS SHOWN
- 2 0.00254 [.000100] MIN TIN PER ASTM B-545
- 3 CLEANED, UNPLATED
- 4 0.00254 [.000100] MIN EXT THK GOLD PL PER ASTM B-488 OVER 0.00076 [.000030] MIN NICKEL PER SAE AMS QQ-N-290.
- 5 COPPER PER ASTM B-152, ANNEALED
- 6 NOTE DELETED
- 7 0.0050 [.000200] MIN EXT THK NICKEL PLATE PER SAE AMS QQ-N-290.



1000	LOOSE PIECE	7	2-32859-4
		4	2-32859-5
		3	32859-1
		2	32859
QTY	PACKAGE TYPE	FINISH	PART NO.

AMP INCORPORATED
CUSTOMER SERVICE SYSTEMS

FOR ADDITIONAL PRODUCT INFORMATION OR COPIES OF DRAWINGS AND TECHNICAL DOCUMENTS: PRODUCT INFORMATION CENTER 1-800-522-6752

FOR APPLICATION TOOLING INFORMATION: TOOLING ASSISTANCE CENTER 1-800-722-1111

FOR ORDER ENTRY: 1-800-526-5142

MAX RECOMMENDED OPERATING TEMPERATURE: 170°C [338°F]

VOLTAGE RATING: N/A

CIRCULAR MIL AREA: 0.1-0.41mm² [202-810] STRANDED

THIS DRAWING IS A CONTROLLED DOCUMENT.

DIMENSIONS: mm [INCHES]

TOLERANCES UNLESS OTHERWISE SPECIFIED:

0 PLC	±	-
1 PLC	±	-
2 PLC	±	-
3 PLC	±	-
4 PLC	±	-
ANGLES	±	-

MATERIAL: 5

FINISH: SEE TABLE

DWN: TA BRINKMAN 2-2-93
 CHK: DA PATTERSON 2-2-93
 APVD: JL MECKLEY 2-2-93

NAME: TERMINAL, RING TONGUE, BUDGET

SIZE: A2 CAGE CODE: 00779 DRAWING NO: C-32859 RESTRICTED TO: -

WEIGHT: - SCALE: 10:1 SHEET: 1 OF 1 REV: D3

CUSTOMER DRAWING