



Chipsmall Limited consists of a professional team with an average of over 10 year of expertise in the distribution of electronic components. Based in Hongkong, we have already established firm and mutual-benefit business relationships with customers from,Europe,America and south Asia,supplying obsolete and hard-to-find components to meet their specific needs.

With the principle of “Quality Parts,Customers Priority,Honest Operation,and Considerate Service”,our business mainly focus on the distribution of electronic components. Line cards we deal with include Microchip,ALPS,ROHM,Xilinx,Pulse,ON,Everlight and Freescale. Main products comprise IC,Modules,Potentiometer,IC Socket,Relay,Connector.Our parts cover such applications as commercial,industrial, and automotives areas.

We are looking forward to setting up business relationship with you and hope to provide you with the best service and solution. Let us make a better world for our industry!



Contact us

Tel: +86-755-8981 8866 Fax: +86-755-8427 6832

Email & Skype: info@chipsmall.com Web: www.chipsmall.com

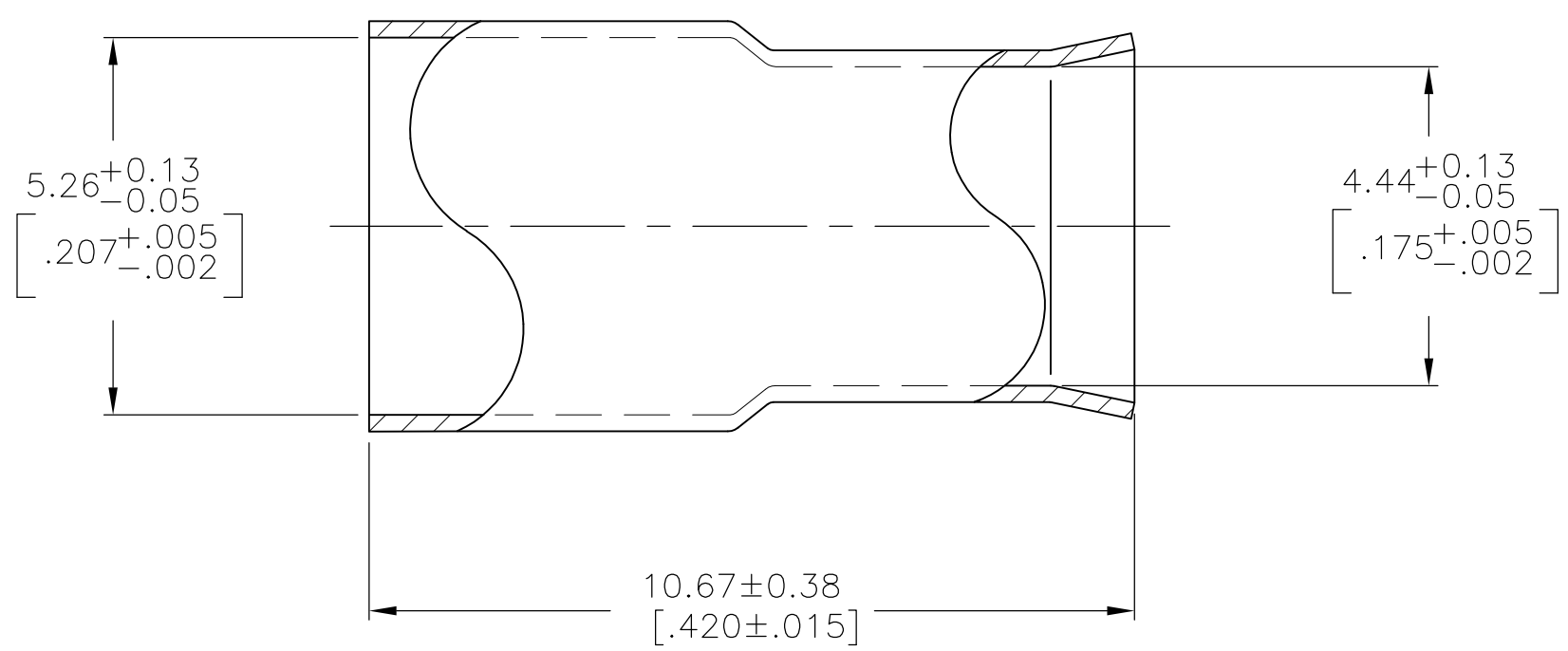
Address: A1208, Overseas Decoration Building, #122 Zhenhua RD., Futian, Shenzhen, China



THIS DRAWING IS UNPUBLISHED. RELEASED FOR PUBLICATION
 © COPYRIGHT - BY TYCO ELECTRONICS CORPORATION. ALL RIGHTS RESERVED.

LOC	DIST	REVISIONS					
AJ	19	P	LTR	DESCRIPTION	DATE	DWN	APVD
		AC2		REVISED PER ECO-10-008433	20MAY10	HMR	KW

- △1 SILVER PLATE PER QQ-S-365
- △2 TIN-LEAD PLATE PER ASTM-B-571



△1	9-328664-0
△2	2-328664-1
△1	328664
FINISH	PART NUMBER

THIS DRAWING IS A CONTROLLED DOCUMENT.		DWN B. WERNER 01-22-93	Tyco Electronics Corporation Harrisburg, PA 17105-3608	
DIMENSIONS: mm [INCHES]	TOLERANCES UNLESS OTHERWISE SPECIFIED:	CHK J. McLEOD 01-22-93	NAME	
	0 PLC ± -	APVD J. McLEOD 01-22-93	FERRULE, STEP-DOWN	
	1 PLC ± -	PRODUCT SPEC	SIZE	CAGE CODE
	2 PLC ± -	APPLICATION SPEC	A3	00779
	3 PLC ± -	WEIGHT	DRAWING NO	RESTRICTED TO
	4 PLC ± -		C-328664	
	ANGLES ± -		SCALE	SHEET
MATERIAL COPPER ALLOY	FINISH SEE NOTES	CUSTOMER DRAWING	10:1	1 OF 1
			REV	AC2