



Chipsmall Limited consists of a professional team with an average of over 10 year of expertise in the distribution of electronic components. Based in Hongkong, we have already established firm and mutual-benefit business relationships with customers from,Europe,America and south Asia,supplying obsolete and hard-to-find components to meet their specific needs.

With the principle of “Quality Parts,Customers Priority,Honest Operation,and Considerate Service”,our business mainly focus on the distribution of electronic components. Line cards we deal with include Microchip,ALPS,ROHM,Xilinx,Pulse,ON,Everlight and Freescale. Main products comprise IC,Modules,Potentiometer,IC Socket,Relay,Connector.Our parts cover such applications as commercial,industrial, and automotives areas.

We are looking forward to setting up business relationship with you and hope to provide you with the best service and solution. Let us make a better world for our industry!



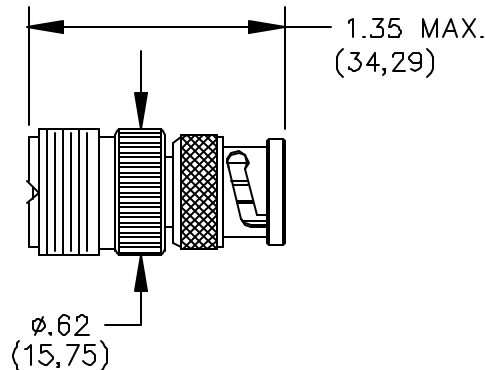
Contact us

Tel: +86-755-8981 8866 Fax: +86-755-8427 6832

Email & Skype: info@chipsmall.com Web: www.chipsmall.com

Address: A1208, Overseas Decoration Building, #122 Zhenhua RD., Futian, Shenzhen, China





MATERIALS:

Body and Fittings:

- Shell - Brass, Tarnish Resistant Plating
- Center Contact - Gold Plated Phosphor Bronze
- Dielectric - PTFE

RATING:

- Operating Voltage: Shield/Earth: 30VAC/60VDC Max.
Inner Conductor/Shield: 500VRMS Max.
- Operating Temperature: -55°C to +85°C (-67°F) (+185°F)
- Nominal Impedance: Non-Constant Impedance.

ORDERING INFORMATION: Model 3287

All dimensions are in inches. Tolerances (except noted): .xx = ± 0.02 " (.51 mm), .xxx = ± 0.005 " (.127 mm).
All specifications are to the latest revisions. Specifications are subject to change without notice.
Registered trademarks are the property of their respective companies. Made in USA

10/11/00

SY/EH/LS

S:\Engineering\Release\DataSheets\FIukeDataSheet\3287_1_01.doc

Sales: 800-490-2361 Fax: 888-403-3360

Technical Assistance: 800-241-2060

Last saved by PN

PomonaACCESS 90183 (800) 444-6785 or (425) 446-6010
More drawings available at www.pomonaelectronics.com

Page 1 of 1