



Chipsmall Limited consists of a professional team with an average of over 10 year of expertise in the distribution of electronic components. Based in Hongkong, we have already established firm and mutual-benefit business relationships with customers from,Europe,America and south Asia,supplying obsolete and hard-to-find components to meet their specific needs.

With the principle of “Quality Parts,Customers Priority,Honest Operation,and Considerate Service”,our business mainly focus on the distribution of electronic components. Line cards we deal with include Microchip,ALPS,ROHM,Xilinx,Pulse,ON,Everlight and Freescale. Main products comprise IC,Modules,Potentiometer,IC Socket,Relay,Connector.Our parts cover such applications as commercial,industrial, and automotives areas.

We are looking forward to setting up business relationship with you and hope to provide you with the best service and solution. Let us make a better world for our industry!



Contact us

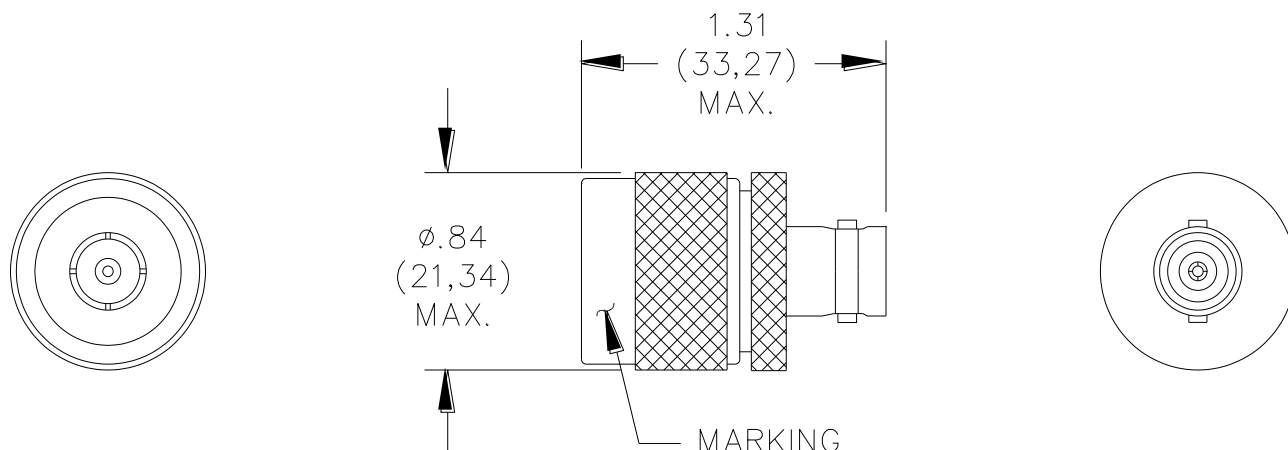
Tel: +86-755-8981 8866 Fax: +86-755-8427 6832

Email & Skype: info@chipsmall.com Web: www.chipsmall.com

Address: A1208, Overseas Decoration Building, #122 Zhenhua RD., Futian, Shenzhen, China



Model 3288
N-Type (Male) to BNC (Female) Adapter

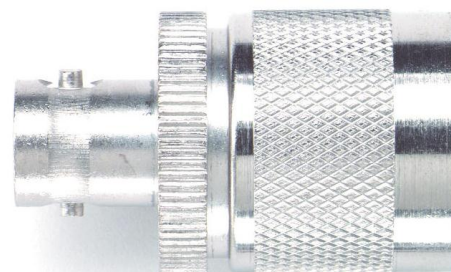


Features

- Adapter allows you to convert between N-Type connections and BNC connections
- Meets the interface requirements of MIL-STD-348

Materials

Body and Fittings: Brass, Tarnish Resistant Nickel Plating
 Center Contact: Beryllium Copper, Gold Plated
 Dielectric: PTFE
 Marking: "Pomona 3288" (optional)



Ratings

Voltage: For *CE compliance* and for personal safety, do not hold in hand when voltages exceed 30 Vac/60 Vdc.
 Maximum voltage for *hands free use* in controlled testing environments: 500 Vrms
 Do not use on circuits where transient stresses can exceed the rated voltage.

Operating Temperature: -65°C to +165°C
 Nominal Impedance: 50 Ohm

Ordering Information

Model: 3288
 ADAPTER, BNC (F), N (M)

USA: Sales: 800-490-2361
 Technical Support: technicalsupport@pomonatest.com
 Fax: 425-446-5844

Europe: 31-(0) 40 2675 150 **International:** 425-446-5500
Where to Buy: www.pomonaelectronics.com

All dimensions are in inches. Tolerances (except noted): .xx = ±.02" (.51 mm), .xxx = ±.005" (.127 mm). All specifications are to the latest revisions. Specifications are subject to change without notice. Registered trademarks are the property of their respective companies.