



Chipsmall Limited consists of a professional team with an average of over 10 year of expertise in the distribution of electronic components. Based in Hongkong, we have already established firm and mutual-benefit business relationships with customers from,Europe,America and south Asia,supplying obsolete and hard-to-find components to meet their specific needs.

With the principle of “Quality Parts,Customers Priority,Honest Operation,and Considerate Service”,our business mainly focus on the distribution of electronic components. Line cards we deal with include Microchip,ALPS,ROHM,Xilinx,Pulse,ON,Everlight and Freescale. Main products comprise IC,Modules,Potentiometer,IC Socket,Relay,Connector.Our parts cover such applications as commercial,industrial, and automotives areas.

We are looking forward to setting up business relationship with you and hope to provide you with the best service and solution. Let us make a better world for our industry!



## Contact us

Tel: +86-755-8981 8866 Fax: +86-755-8427 6832

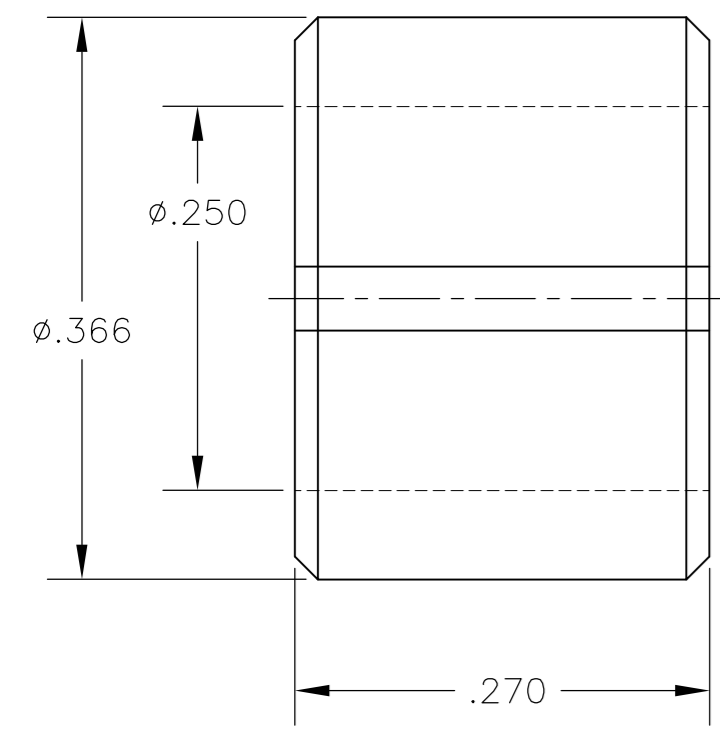
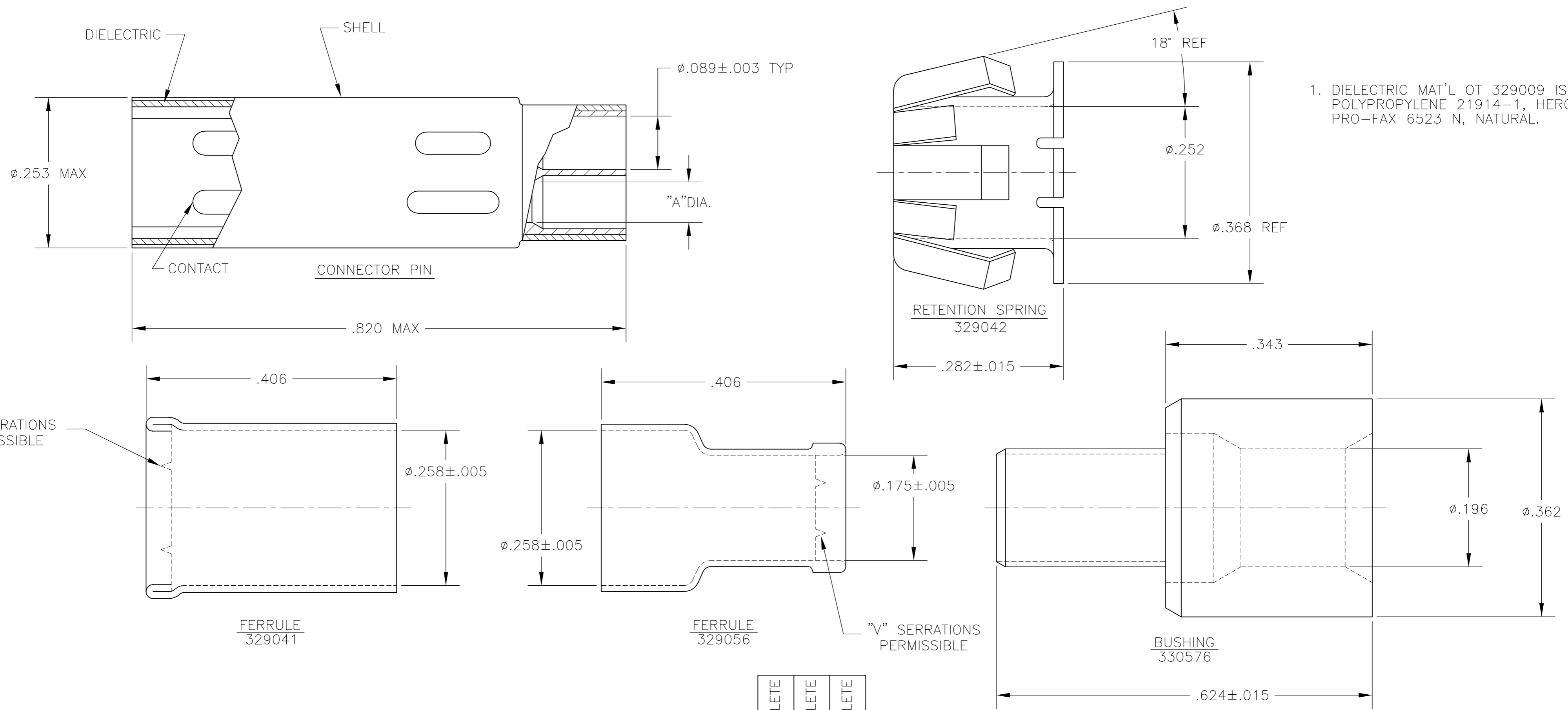
Email & Skype: info@chipsmall.com Web: www.chipsmall.com

Address: A1208, Overseas Decoration Building, #122 Zhenhua RD., Futian, Shenzhen, China



THIS DRAWING IS UNPUBLISHED. RELEASED FOR PUBLICATION  
 © COPYRIGHT 2005 BY TYCO ELECTRONICS CORPORATION. ALL RIGHTS RESERVED.

Loc	DIST	REVISIONS					
AJ	16	P	LTR	DESCRIPTION	DATE	DWN	APVD
		N1		REVISION PER ECO-09-023702	24NOV2009	KF	KW



DIELECTRIC COLOR	"A"	WIRE SIZE	CONNECTOR PIN	WEIGHT
YELLOW	.040 .045	22-20	2-329009-1	.040 OZ
NATURAL	.030 .035	26-22	329009	.039 OZ

QTY	DESCRIPTION	PART NO.	MATERIAL & FINISH
1	BUSHING	329058	POLYETHYLENE: (MIL-P-22748) TYPE I COLOR: NATURAL
1	FERRULE	329041	COPPER (QQ-C-576) SILVER PL (QQ-S-365) .0002 MIN THK
1	FERRULE	329056	COPPER (QQ-C-576) SILVER PL (QQ-S-365) .0002 MIN THK
1	BUSHING	330576	POLYETHYLENE COLOR: YELLOW
1	RETENTION SPRING	329042	BERYLLIUM COPPER (QQ-C-533) TIN PL (MIL-T-10727)
1	CONNECTOR PIN	2-329009-1	DIELECTRIC: POLYPROPYLENE (MIL-T-3803) COLOR: TABLE II SHELL: BRASS (MIL-C-50) GOLD PL (MIL-G-45204) TYPE II .00003 MIN THK OVER NICKEL PL (QQ-N-290) .00003 MIN THK.
1	CONNECTOR PIN	329009	CONTACT: BRONZE (ASTM-B140) GOLD PL (MIL-G-5204) TYPE II .00003 MIN THK OVER NICKEL PL (QQ-N-290) .00003 MIN THK.

QTY	DESCRIPTION	PART NO.	MATERIAL & FINISH
2-329009-6	BUSHING	329058	POLYETHYLENE: (MIL-P-22748) TYPE I COLOR: NATURAL
2-329009-5	FERRULE	329041	COPPER (QQ-C-576) SILVER PL (QQ-S-365) .0002 MIN THK
2-329009-3	FERRULE	329056	COPPER (QQ-C-576) SILVER PL (QQ-S-365) .0002 MIN THK
2-329009-1	BUSHING	330576	POLYETHYLENE COLOR: YELLOW
2-329009-1	RETENTION SPRING	329042	BERYLLIUM COPPER (QQ-C-533) TIN PL (MIL-T-10727)
2-329009-1	CONNECTOR PIN	2-329009-1	DIELECTRIC: POLYPROPYLENE (MIL-T-3803) COLOR: TABLE II SHELL: BRASS (MIL-C-50) GOLD PL (MIL-G-45204) TYPE II .00003 MIN THK OVER NICKEL PL (QQ-N-290) .00003 MIN THK.
2-329009-1	CONNECTOR PIN	329009	CONTACT: BRONZE (ASTM-B140) GOLD PL (MIL-G-5204) TYPE II .00003 MIN THK OVER NICKEL PL (QQ-N-290) .00003 MIN THK.

THIS DRAWING IS A CONTROLLED DOCUMENT.		DWN	C. LAUBACH	04OCT2005
DIMENSIONS: INCHES		CHK	G. MICHAEL	10-13-05
TOLERANCES UNLESS OTHERWISE SPECIFIED:		APVD	G. MICHAEL	10-13-05
0 PLC	±	PRODUCT SPEC	NAME	
1 PLC	±	APPLICATION SPEC	COAXICON CONNECTOR TWIN COAXIAL PLUG ASSEMBLY	
2 PLC	±		SIZE	CAGE CODE
3 PLC	± .008		A2	00779
4 PLC	±		DRAWING NO	RESTRICTED TO
ANGLES	± 5°		C=329009	
MATERIAL	SEE TABLE 1	FINISH	WEIGHT	SCALE
			-	4:1
CUSTOMER DRAWING		SHEET	1	OF
		REV	N1	