



Chipsmall Limited consists of a professional team with an average of over 10 year of expertise in the distribution of electronic components. Based in Hongkong, we have already established firm and mutual-benefit business relationships with customers from,Europe,America and south Asia,supplying obsolete and hard-to-find components to meet their specific needs.

With the principle of “Quality Parts,Customers Priority,Honest Operation,and Considerate Service”,our business mainly focus on the distribution of electronic components. Line cards we deal with include Microchip,ALPS,ROHM,Xilinx,Pulse,ON,Everlight and Freescale. Main products comprise IC,Modules,Potentiometer,IC Socket,Relay,Connector.Our parts cover such applications as commercial,industrial, and automotives areas.

We are looking forward to setting up business relationship with you and hope to provide you with the best service and solution. Let us make a better world for our industry!



## Contact us

Tel: +86-755-8981 8866 Fax: +86-755-8427 6832

Email & Skype: info@chipsmall.com Web: www.chipsmall.com

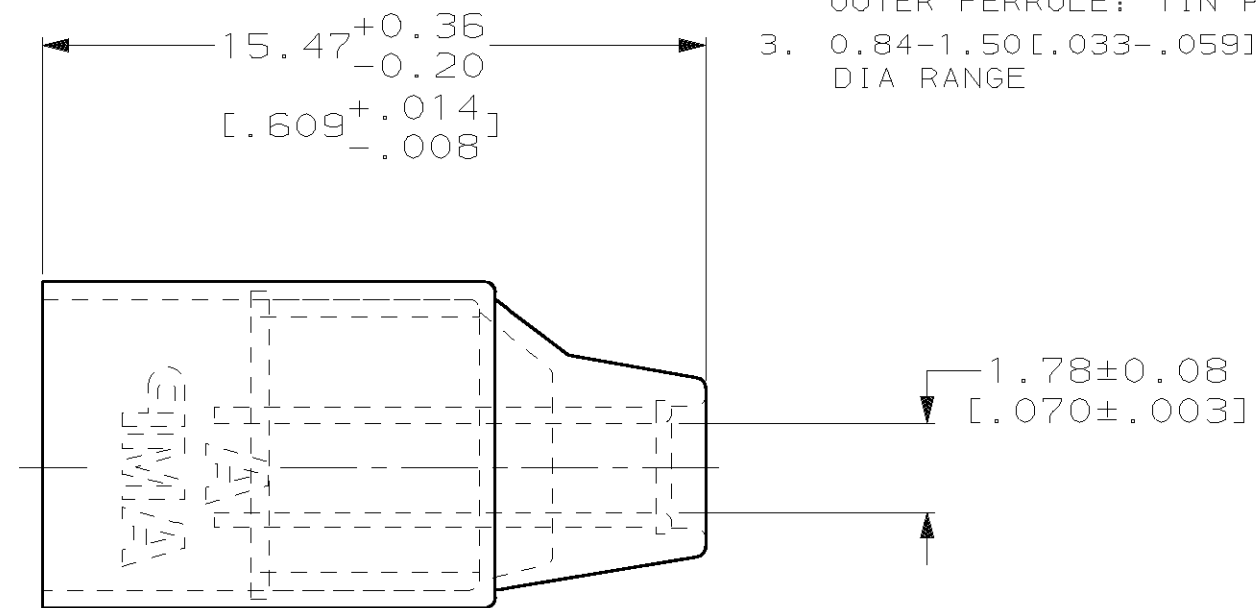
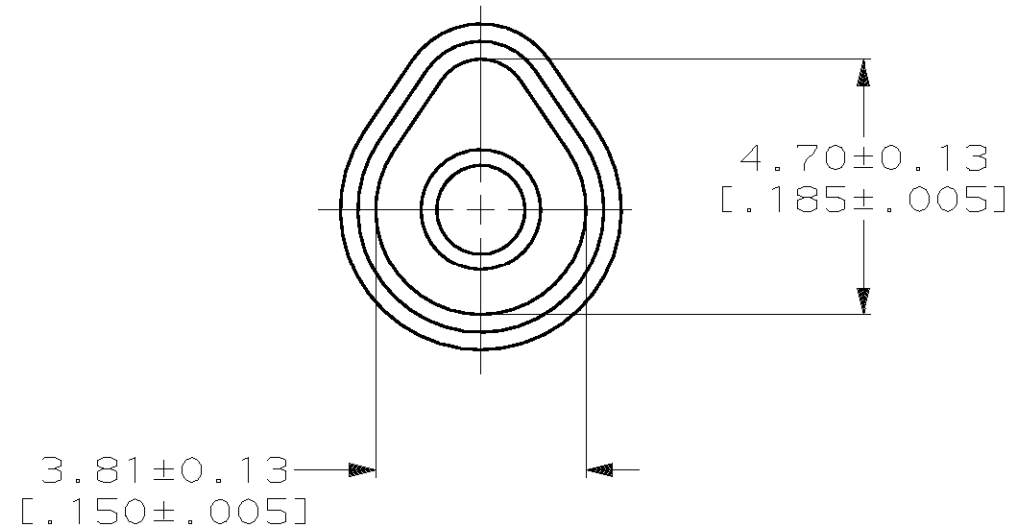
Address: A1208, Overseas Decoration Building, #122 Zhenhua RD., Futian, Shenzhen, China



THIS DRAWING IS UNPUBLISHED. RELEASED FOR PUBLICATION, 19 .  
 © COPYRIGHT 19 BY AMP INCORPORATED. ALL INTERNATIONAL RIGHTS RESERVED.

LOC	DIST	P	F	ZONE	LTR	DESCRIPTION	DATE	APPD
AJ	16				M	REV PER 0U20-0163-99	08NOV99	M0

- 1 MATERIALS:  
 INNER FERRULE: BRASS PER MIL-C-50  
 OUTER FERRULE: COPPER PER QQ-C-576  
 MOLDING: NYLON (COLOR: VIOLET)
- 2 FINISH:  
 INNER FERRULE: TIN PL PER MIL-T-10727  
 OUTER FERRULE: TIN PL PER MIL-T-10727
- 3. 0.84-1.50 [.033-.059] PRIMARY INSULATION DIA RANGE



THIS DRAWING IS A CONTROLLED DOCUMENT FOR AMP INCORPORATED. IT IS SUBJECT TO CHANGE AND THE CONTROLLING ENGINEERING ORGANIZATION SHOULD BE CONTACTED FOR THE LATEST REVISION.

DO NOT SCALE PRINT. UNLESS SPECIFIED DIMENSIONS IN mm [INCHES] TOLERANCES ON: 2 PLC DEC ± .20 [.008] 3 PLC DEC ± - ANGLES ± -		DR 01/13/93 J.DAVIS	PART NO	
MATERIAL	1	CHK 02/05/93 G.MICHAEL	AMP AMP Incorporated Harrisburg, PA 17105-3608	
FINISH	2	APPD 02/05/93 G.MICHAEL	NAME CONN, COAX, R.F., TERMASHIELD, FERRULE	
		APPD 02/05/93 J.DAVIS	SIZE B	CAGE CODE 00779
		PRODUCT SPEC -	SCALE NTS	DRAWING NO C-329331
		APPLICATION SPEC -	WEIGHT .024 OZ	SHEET 1 OF 1