



Chipsmall Limited consists of a professional team with an average of over 10 year of expertise in the distribution of electronic components. Based in Hongkong, we have already established firm and mutual-benefit business relationships with customers from,Europe,America and south Asia,supplying obsolete and hard-to-find components to meet their specific needs.

With the principle of “Quality Parts,Customers Priority,Honest Operation,and Considerate Service”,our business mainly focus on the distribution of electronic components. Line cards we deal with include Microchip,ALPS,ROHM,Xilinx,Pulse,ON,Everlight and Freescale. Main products comprise IC,Modules,Potentiometer,IC Socket,Relay,Connector.Our parts cover such applications as commercial,industrial, and automotives areas.

We are looking forward to setting up business relationship with you and hope to provide you with the best service and solution. Let us make a better world for our industry!



Contact us

Tel: +86-755-8981 8866 Fax: +86-755-8427 6832

Email & Skype: info@chipsmall.com Web: www.chipsmall.com

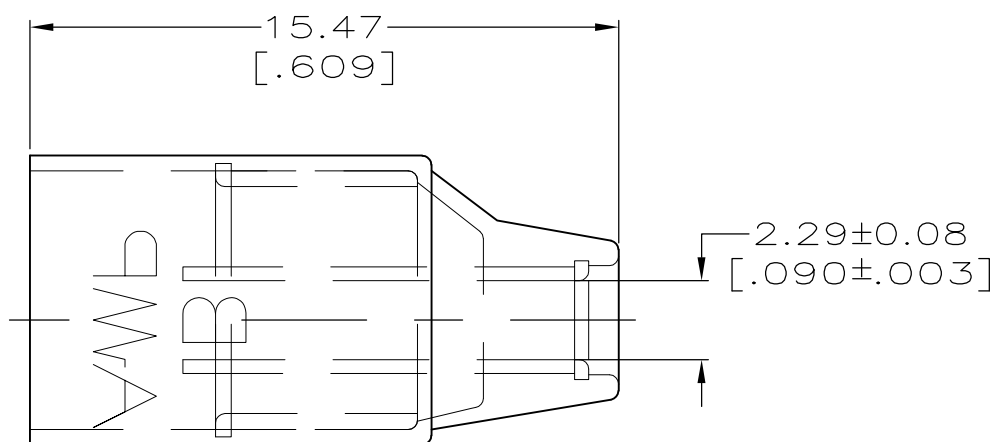
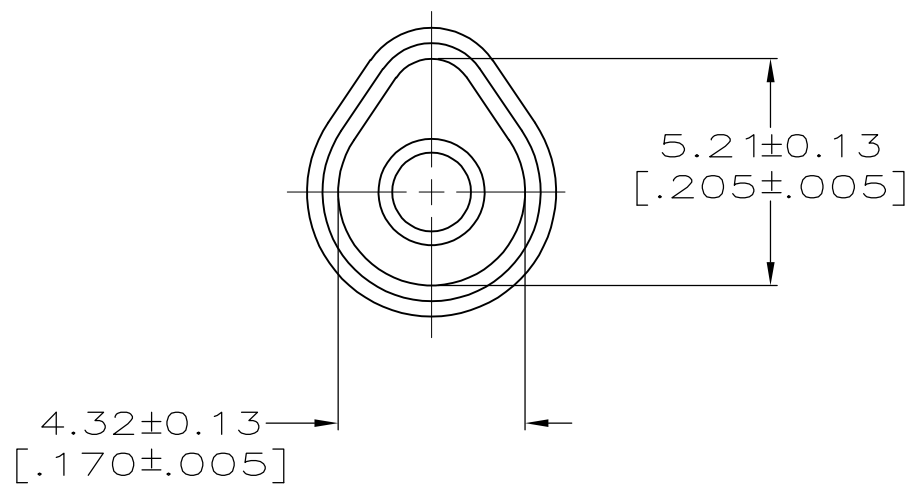
Address: A1208, Overseas Decoration Building, #122 Zhenhua RD., Futian, Shenzhen, China



THIS DRAWING IS UNPUBLISHED. RELEASED FOR PUBLICATION
 © COPYRIGHT BY TYCO ELECTRONICS CORPORATION. ALL INTERNATIONAL RIGHTS RESERVED.

LOC	DIST	REVISIONS			
P	LTR	DESCRIPTION	DATE	DWN	APVD
AJ	16	M	REVISED PER ECO-10-009236	05MAY10	HMR KW

- 1 MATERIALS:
 INNER FERRULE: COPPER ALLOY
 OUTER FERRULE: COPPER ALLOY
 MOLDING: NYLON (COLOR: NATURAL)
- 2 FINISH:
 INNER FERRULE: TIN PL PER MIL-T-10727
 OUTER FERRULE: TIN PL PER MIL-T-10727
- 3. 1.50-2.16[.059-.085] PRIMARY INSULATION DIA RANGE



THIS DRAWING IS A CONTROLLED DOCUMENT.		DWN J.DAVIS 01/13/93	Tyco Electronics Corporation Harrisburg, Pa 17105-3608	
DIMENSIONS: mm [INCHES]		CHK G.MICHAEL 02/05/93	NAME CONN, COAX,R.F., TERMASHIELD, FERRULE	
TOLERANCES UNLESS OTHERWISE SPECIFIED:		APVD G.MICHAEL 02/05/93	PRODUCT SPEC —	
0 PLC ± - 1 PLC ± - 2 PLC ± .20[.008] 3 PLC ± - 4 PLC ± - ANGLES ± -		APPLICATION SPEC —		
MATERIAL	FINISH	WEIGHT .026 OZ	SIZE A3	CAGE CODE 00779
1	2	DRAWING NO G-329332	RESTRICTED TO —	SCALE NTS
CUSTOMER DRAWING			SHEET 1 OF 1	REV M