



Chipsmall Limited consists of a professional team with an average of over 10 year of expertise in the distribution of electronic components. Based in Hongkong, we have already established firm and mutual-benefit business relationships with customers from,Europe,America and south Asia,supplying obsolete and hard-to-find components to meet their specific needs.

With the principle of “Quality Parts,Customers Priority,Honest Operation,and Considerate Service”,our business mainly focus on the distribution of electronic components. Line cards we deal with include Microchip,ALPS,ROHM,Xilinx,Pulse,ON,Everlight and Freescale. Main products comprise IC,Modules,Potentiometer,IC Socket,Relay,Connector.Our parts cover such applications as commercial,industrial, and automotives areas.

We are looking forward to setting up business relationship with you and hope to provide you with the best service and solution. Let us make a better world for our industry!



## Contact us

Tel: +86-755-8981 8866 Fax: +86-755-8427 6832

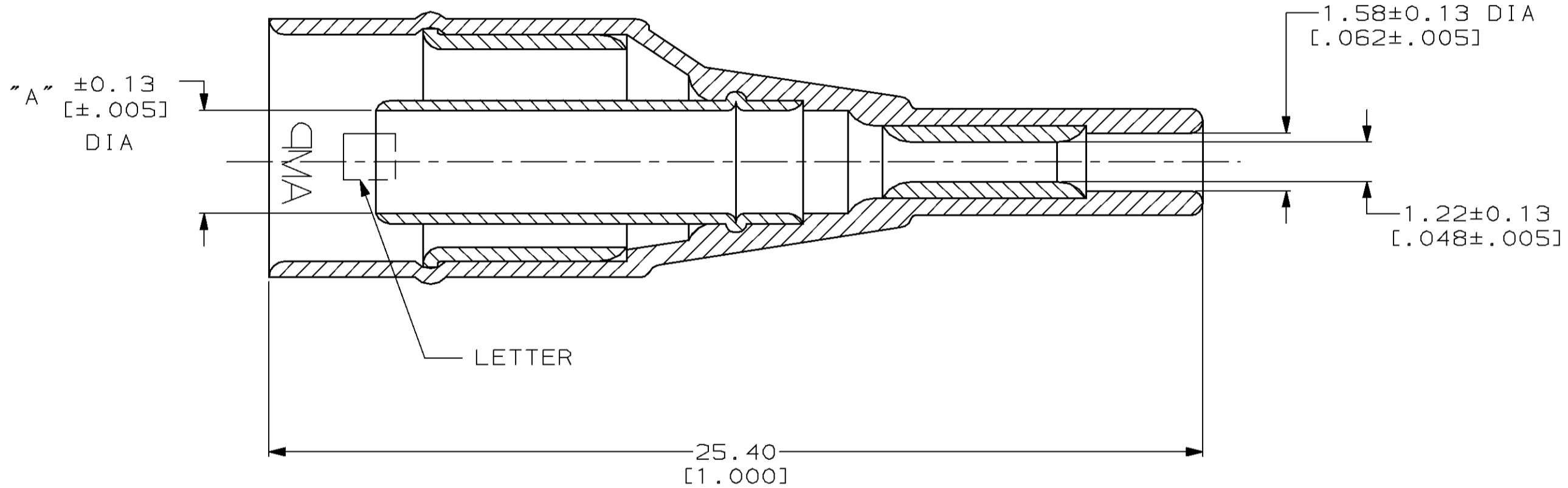
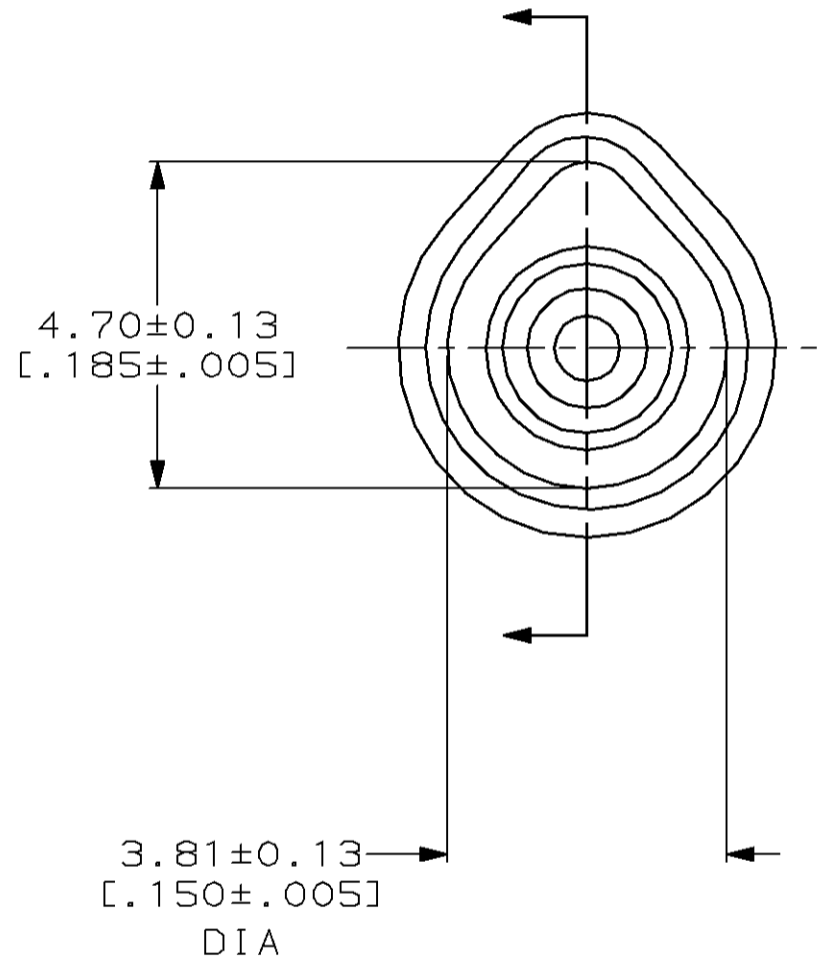
Email & Skype: info@chipsmall.com Web: www.chipsmall.com

Address: A1208, Overseas Decoration Building, #122 Zhenhua RD., Futian, Shenzhen, China



Loc	DIST	P	F	REVISIONS				
				ZONE	LTR	DESCRIPTION	DATE	APPD
AJ	16			H		REDWN & REV PER AJ-6056	02/05/93	JPD
		✓	✓	J		REV PER 0220-0149-93	20/DEC/93	BMW
				K		OBSOLETED 1-329413-0 PER 0220-0369-96	6-14-96	JG

- ① MATERIAL:  
 INNER FERRULE: BRASS PER MIL-C-50  
 OUTER FERRULE: COPPER PER QQ-C-576  
 SPLICE FERRULE: COPPER PER QQ-C-576  
 MOLDING: NYLON (COLOR: VIOLET)
- ② FINISH  
 INNER FERRULE: TIN PL PER MIL-T-10727  
 OUTER FERRULE: TIN PL PER MIL-T-10727  
 SPLICE FERRULE: TIN PL PER MIL-T-10727
- ③ MATERIAL:  
 INNER FERRULE: BRASS PER MIL-C-50  
 OUTER FERRULE: COPPER PER QQ-C-576  
 SPLICE FERRULE: COPPER PER QQ-C-576  
 MOLDING: NYLON (COLOR: BLUE)



OBSOLETE	③	.029 OZ	F	2.03[.080]	1.65-2.03[.065-.080]	1-329413-0
	①	.030 OZ	A	1.78[.070]	1.14-1.65[.045-.065]	329413
		WEIGHT	LETTER	"A" DIM	PRIMARY INSULATION DIA RANGE	PART NUMBER

DO NOT SCALE PRINT. UNLESS SPECIFIED DIMENSIONS IN mm [INCHES] TOLERANCES ON : 2 PLC DEC ± 0.20[.008] 3 PLC DEC ± - ANGLES ± -		DR 02/05/93 J.DAVIS		AMP Incorporated Harrisburg, PA 17105-3608	
MATERIAL		CHK 02/05/93 G.MICHAEL			
FINISH		APPD 02/05/93 G.MICHAEL		NAME	
①③		APPD 02/05/93 J.DAVIS		CONN, COAX, RF TERMASHIELD PRE INSULATED	
②		PRODUCT SPEC		SIZE	CAGE CODE
		APPLICATION SPEC		③	00779
		WEIGHT SEE TABLE		DRAWING NO	③=329413
				SCALE	NTS
				SHEET	1 OF 1

THIS DRAWING IS A CONTROLLED DOCUMENT FOR AMP INCORPORATED. IT IS SUBJECT TO CHANGE AND THE CONTROLLING ENGINEERING ORGANIZATION SHOULD BE CONTACTED FOR THE LATEST REVISION.