



Chipsmall Limited consists of a professional team with an average of over 10 year of expertise in the distribution of electronic components. Based in Hongkong, we have already established firm and mutual-benefit business relationships with customers from,Europe,America and south Asia,supplying obsolete and hard-to-find components to meet their specific needs.

With the principle of “Quality Parts,Customers Priority,Honest Operation,and Considerate Service”,our business mainly focus on the distribution of electronic components. Line cards we deal with include Microchip,ALPS,ROHM,Xilinx,Pulse,ON,Everlight and Freescale. Main products comprise IC,Modules,Potentiometer,IC Socket,Relay,Connector.Our parts cover such applications as commercial,industrial, and automotives areas.

We are looking forward to setting up business relationship with you and hope to provide you with the best service and solution. Let us make a better world for our industry!



Contact us

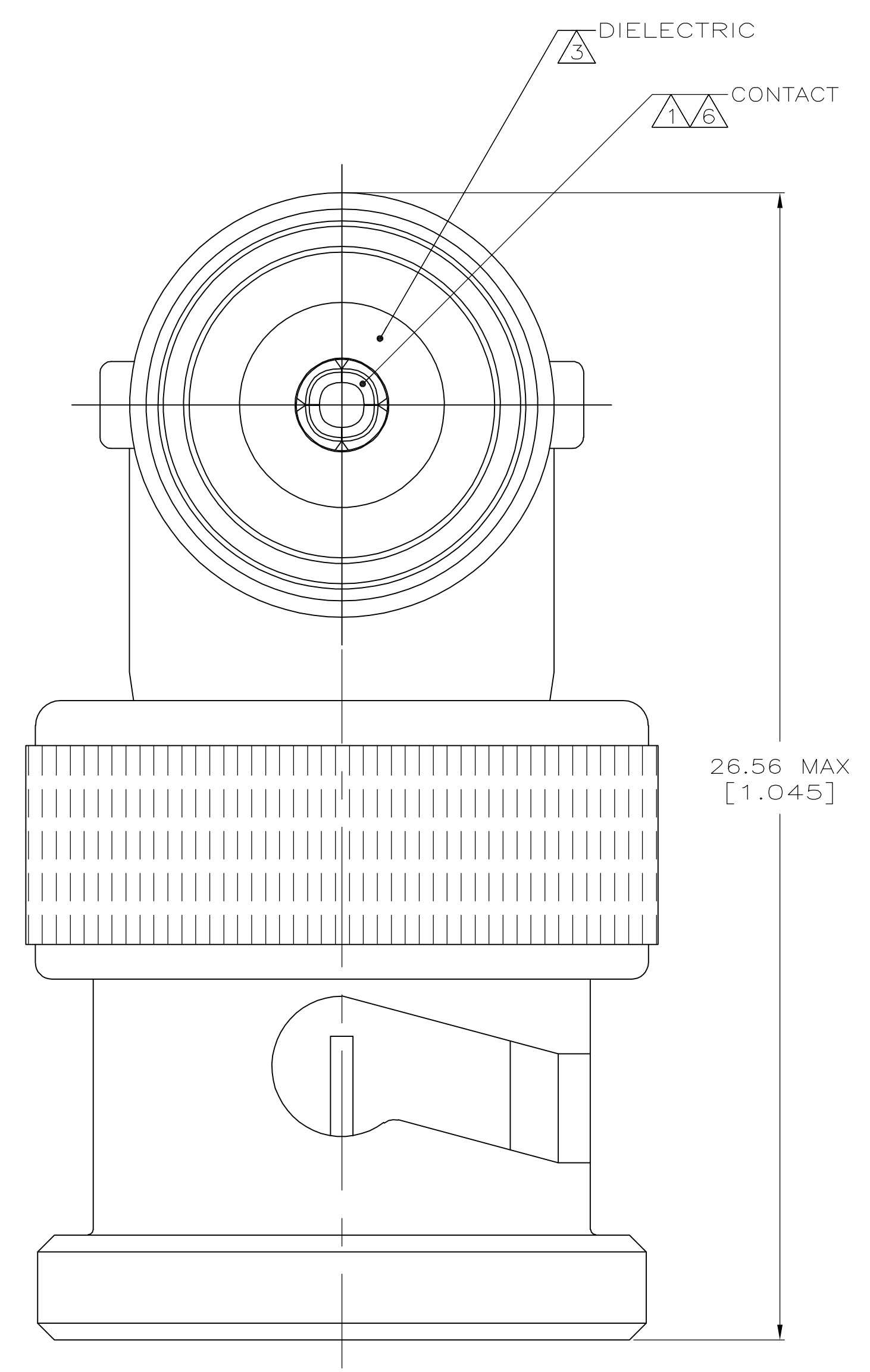
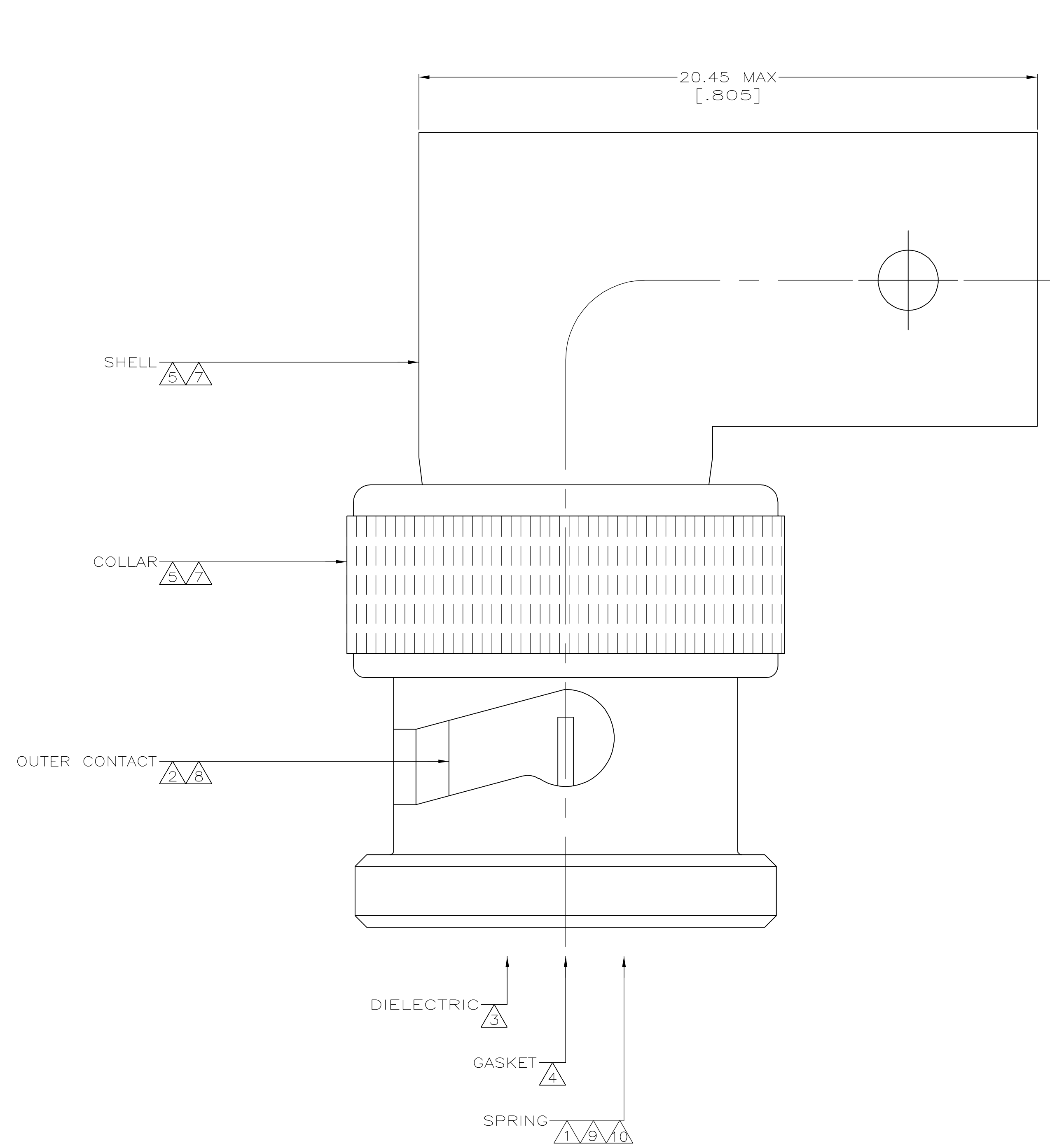
Tel: +86-755-8981 8866 Fax: +86-755-8427 6832

Email & Skype: info@chipsmall.com Web: www.chipsmall.com

Address: A1208, Overseas Decoration Building, #122 Zhenhua RD., Futian, Shenzhen, China



- △ BERYLLIUM COPPER PER ASTM-B-194
- △ BRASS PER ASTM-B-16
- △ PTFE PER MIL-P-19468
- △ SILICONE RUBBER PER ZZ-R-765
- △ ZINC DIE CAST PER ASTM-B-86
- △ SILVER PLATE PER QQ-S-365, 5.08 μm [.000200] MIN THICKNESS
- △ NICKEL PLATE PER QQ-N-290, 1.27 μm [.000050] MIN THICKNESS
- △ NICKEL PLATE PER QQ-N-290, 2.54 μm [.000100] MIN THICKNESS
- △ TIN PLATE PER ASTM-B-545, 2.54 μm [.000100] MIN THICK.
- △ TIN PLATE PER ASTM-B-545, 2.54 μm [.000100] MIN THICKNESS



OBSOLETE	9-329517-0
OBSOLETE	1-329517-0
	329517
	PART NUMBER

THIS DRAWING IS A CONTROLLED DOCUMENT.		DWN MICHAEL E. COWHER 17AUG95	15AUG95	 Tyco Electronics Corporation Harrisburg, PA 17105-3608
DIMENSIONS: mm		CHK MICHAEL J. PHILLIPS 17AUG95	APVD MICHAEL J. PHILLIPS 15AUG95	
TOLERANCES UNLESS OTHERWISE SPECIFIED:		NAME MICHAEL J. PHILLIPS		RESTRICTED TO
0 PLC ± -	1 PLC ± -	PRODUCT SPEC		PLUG-JACK ADAPTER, RIGHT ANGLE, BNC
2 PLC ± -	3 PLC ± -	APPLICATION SPEC		SIZE CAGE CODE DRAWING NO
4 PLC ± -	ANGLES ± -	WEIGHT		A1 00779 C=329517
MATERIAL SEE NOTES		FINISH SEE NOTES		CUSTOMER DRAWING SCALE 10:1 SHEET 1 of 1 REV J1