



Chipsmall Limited consists of a professional team with an average of over 10 year of expertise in the distribution of electronic components. Based in Hongkong, we have already established firm and mutual-benefit business relationships with customers from,Europe,America and south Asia,supplying obsolete and hard-to-find components to meet their specific needs.

With the principle of “Quality Parts,Customers Priority,Honest Operation,and Considerate Service”,our business mainly focus on the distribution of electronic components. Line cards we deal with include Microchip,ALPS,ROHM,Xilinx,Pulse,ON,Everlight and Freescale. Main products comprise IC,Modules,Potentiometer,IC Socket,Relay,Connector.Our parts cover such applications as commercial,industrial, and automotives areas.

We are looking forward to setting up business relationship with you and hope to provide you with the best service and solution. Let us make a better world for our industry!



Contact us

Tel: +86-755-8981 8866 Fax: +86-755-8427 6832

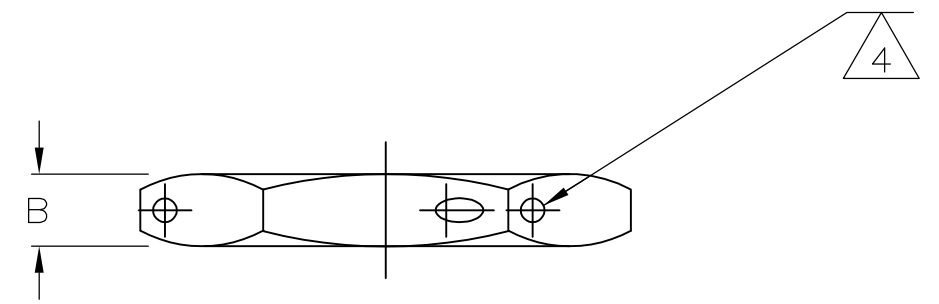
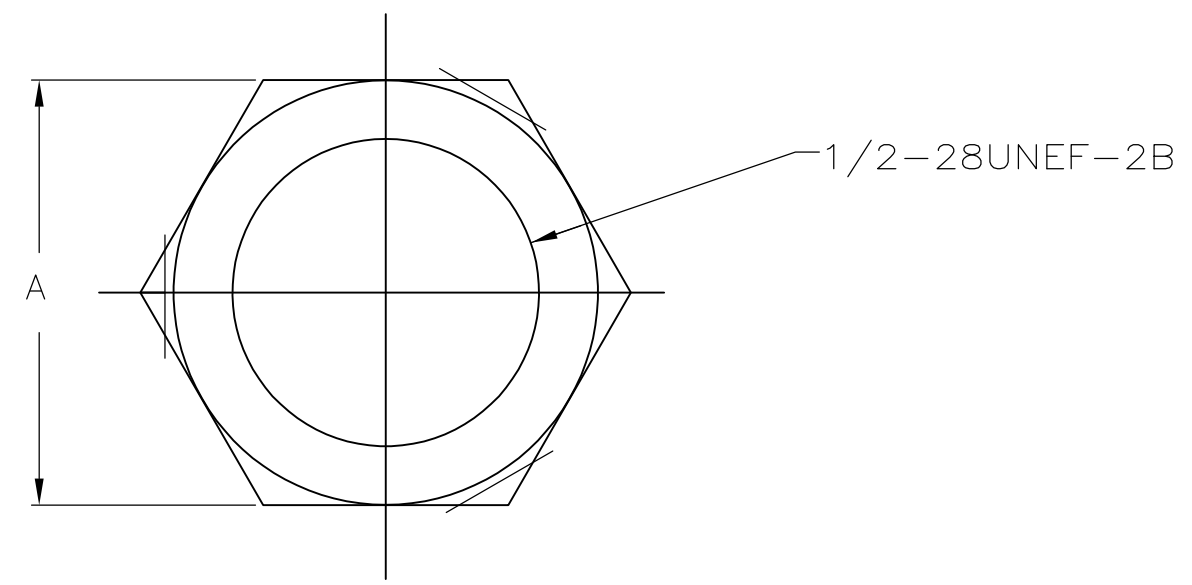
Email & Skype: info@chipsmall.com Web: www.chipsmall.com

Address: A1208, Overseas Decoration Building, #122 Zhenhua RD., Futian, Shenzhen, China



THIS DRAWING IS UNPUBLISHED. RELEASED FOR PUBLICATION
 © COPYRIGHT - By - ALL RIGHTS RESERVED.


LOC	DIST	REVISIONS					
		P	LTR	DESCRIPTION	DATE	DWN	APVD
AJ	16		M1	REVISED PER ECO-11-005030	11MAR11	RK	HMR



- ① BRASS PER QQ-B-627.
- ② SILVER PLATE PER QQ-S-365, 5.08 μ m [.000200] MINIMUM THICK.
- ③ NICKEL PLATE PER QQ-N-290, 2.54 μ m [.000100] MINIMUM THICK.
- ④ $\phi 0.79 \pm 0.08$ [.031 \pm .003] (3 HOLES) 120° APART.
- ⑤ GOLD PLATE PER MIL-G-45204, 0.51 μ m [.000020] MINIMUM THICK.

2.77 [.109]	15.82 [.623]	-	⑤	①	2-329631-2
2.77 [.109]	15.82 [.623]	-	③	①	2-329631-0
2.77 [.109]	15.82 [.623]	-	②	①	1-329631-9
2.39 \pm 0.15 [.094 \pm .006]	14.10 \pm 0.25 [.555 \pm .010]	④	②	①	1-329631-7
2.39 \pm 0.15 [.094 \pm .006]	14.10 \pm 0.25 [.555 \pm .010]	-	③	①	1-329631-2
2.39 \pm 0.15 [.094 \pm .006]	14.10 \pm 0.25 [.555 \pm .010]	-	②	①	329631
B	A	HOLES	FINISH	MATERIAL	PART NUMBER

THIS DRAWING IS A CONTROLLED DOCUMENT.

DWN P. ALSEDEK 16MAY90	 TE Connectivity NAME JAM NUT -					
CHK R.E. RUTH 06SEP90						
APVD M. PHILLIPS 20SEP90						
PRODUCT SPEC -						
APPLICATION SPEC -	SIZE A3	CAGE CODE 00779	DRAWING NO C-329631	RESTRICTED TO -		
MATERIAL ①	FINISH ② & ③	WEIGHT [.030 oz]	CUSTOMER DRAWING	SCALE 4:1	SHEET 1 OF 1	REV M1