



Chipsmall Limited consists of a professional team with an average of over 10 year of expertise in the distribution of electronic components. Based in Hongkong, we have already established firm and mutual-benefit business relationships with customers from,Europe,America and south Asia,supplying obsolete and hard-to-find components to meet their specific needs.

With the principle of “Quality Parts,Customers Priority,Honest Operation,and Considerate Service”,our business mainly focus on the distribution of electronic components. Line cards we deal with include Microchip,ALPS,ROHM,Xilinx,Pulse,ON,Everlight and Freescale. Main products comprise IC,Modules,Potentiometer,IC Socket,Relay,Connector.Our parts cover such applications as commercial,industrial, and automotives areas.

We are looking forward to setting up business relationship with you and hope to provide you with the best service and solution. Let us make a better world for our industry!



## Contact us

Tel: +86-755-8981 8866 Fax: +86-755-8427 6832

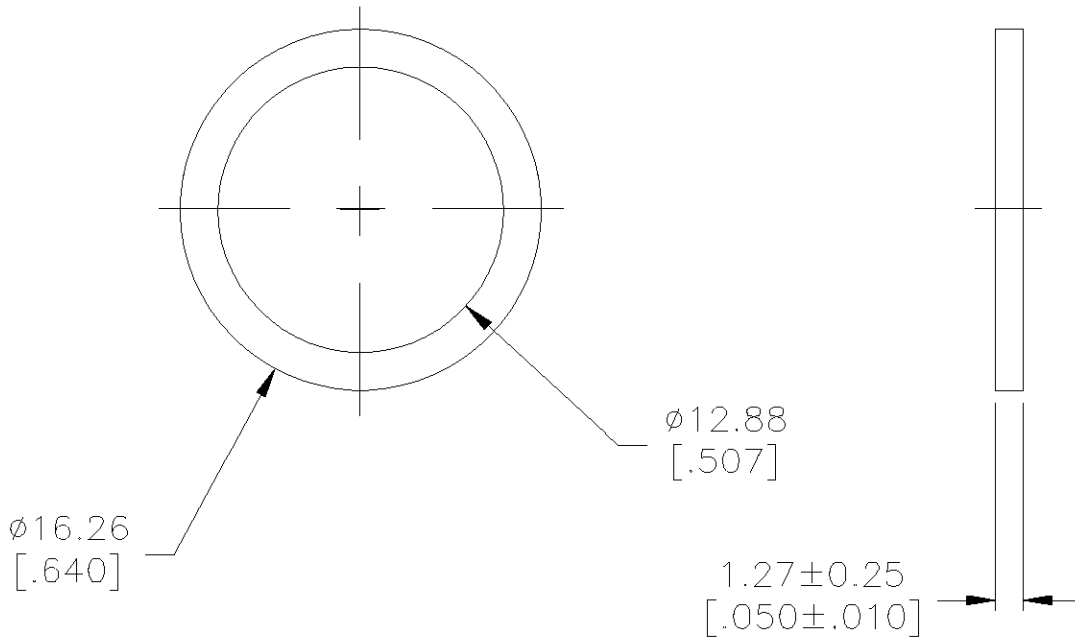
Email & Skype: info@chipsmall.com Web: www.chipsmall.com

Address: A1208, Overseas Decoration Building, #122 Zhenhua RD., Futian, Shenzhen, China



LOC	DIST	REVISIONS					
AJ	16	P	LTR	DESCRIPTION	DATE	DWN	APVD
			C	REV PER 0U20-0164-01	29MAR01	MO	BM

△ SILICONE RUBBER PER ZZ-R-765.



RELEASED FOR PUBLICATION

ALL RIGHTS RESERVED.

BY TYCO ELECTRONICS CORPORATION.

THIS DRAWING IS UNPUBLISHED.

© COPYRIGHT

329633

PART NUMBER

DIMENSIONS: MM [INCHES]	DWN	M. O'BRINE	30MAR01	MATERIAL	△	FINISH	-
	CHK	B. MOYER	29MAR01	Tyco Electronics Corporation Harrisburg, Pa			
TOLERANCES UNLESS OTHERWISE SPECIFIED:	APVD	B. MOYER	29MAR01				
0 PLC ± -	PRODUCT SPEC	-		NAME	GASKET		
1 PLC ± -	APPLICATION SPEC	-		SIZE	CAGE CODE	DRAWING NO	RESTRICTED TO
2 PLC ± -	WEIGHT	-		A4	00779	△- 329633	-
3 PLC ± 0.38 [.015]	CUSTOMER DRAWING						
4 PLC ± -	SCALE			4:1		SHEET	1 OF 1
ANGLES ± -	REV			C			

