



Chipsmall Limited consists of a professional team with an average of over 10 year of expertise in the distribution of electronic components. Based in Hongkong, we have already established firm and mutual-benefit business relationships with customers from,Europe,America and south Asia,supplying obsolete and hard-to-find components to meet their specific needs.

With the principle of “Quality Parts,Customers Priority,Honest Operation,and Considerate Service”,our business mainly focus on the distribution of electronic components. Line cards we deal with include Microchip,ALPS,ROHM,Xilinx,Pulse,ON,Everlight and Freescale. Main products comprise IC,Modules,Potentiometer,IC Socket,Relay,Connector.Our parts cover such applications as commercial,industrial, and automotives areas.

We are looking forward to setting up business relationship with you and hope to provide you with the best service and solution. Let us make a better world for our industry!



Contact us

Tel: +86-755-8981 8866 Fax: +86-755-8427 6832

Email & Skype: info@chipsmall.com Web: www.chipsmall.com

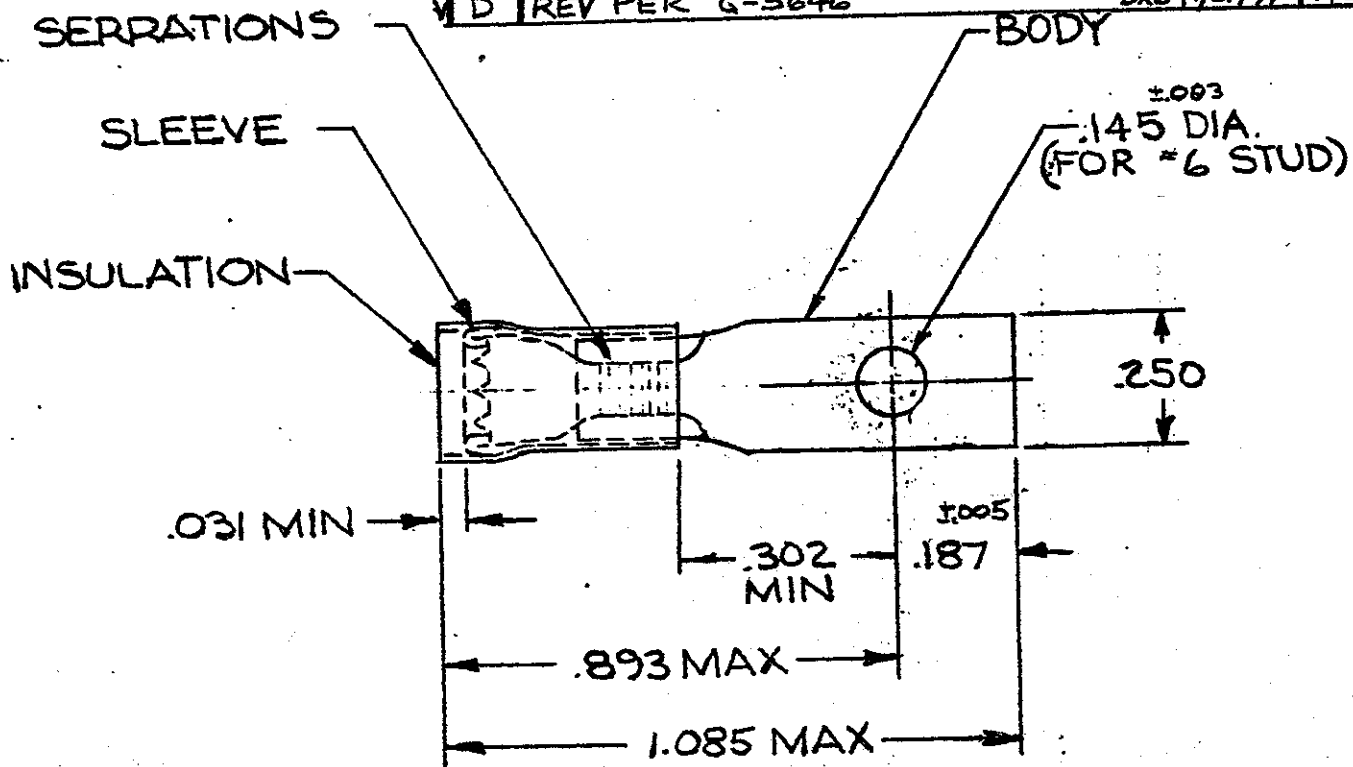
Address: A1208, Overseas Decoration Building, #122 Zhenhua RD., Futian, Shenzhen, China



DRAWING MADE IN AMERICAN PROJECT ION

© 1962 BY AMP INCORPORATED. ALL RIGHTS RESERVED. AMP PRODUCTS COVERED BY PATENTS AND/OR PATENTS PENDING.

REVISIONS			
LTR	DESCRIPTION	DATE	APPROVED
A	REDRAWN, REV & ADDED TAPE NO. P6080 ²	4-21-70	FLY
B	OBS. 2--1 REV G 2591	BT 10-21-87	PMF
C	REV PER G4732	JT 7/26/88	DJK
D	REV PER G-5646	DKS 1/21/91	MEU



TONGUE MATERIAL THK = .040^{±.002}
FOR .150 TO .230 WIRE INS. DIA.

1	329697 ON TAPE	2-329697-1 OBSOLETE	INSULATION: NYLON COLOR: YELLOW SLEEVE: COPPER (QQ-C-576)
1	WIRE TERMINAL	329697	BODY: COPPER (QQ-C-576) TIN PL (MIL-T-10727)
QTY	DESCRIPTION	PART NO.	MATERIAL & FINISH
UNLESS OTHERWISE SPECIFIED DIMENSIONS ARE IN INCHES TOLERANCES ON: DECIMALS ±.003 ANGLES ± 5°		CONTRACT NO. 4	AMP INCORPORATED HARRISBURG, PENNSYLVANIA
MATERIAL		DR. <i>Sturtevant</i> 4-15-70 CHK <i>Hoff</i> 4-21-70 APPD <i>Swickell</i> 4-21-70 REL <i>JM Cronin</i> 4-21-70	
SEE TABLE		USGN APPD	NAME WIRE TERMINAL P.L.D.G. - RECTANGULAR TONGUE WIRE SIZE: 12-10
OTHER APPD		SIZE A	CODE IDLNT NO. 00779
		SCALE NTS	NUMBER 329697
			SHEET 1 OF 1

CUSTOMER DRAWING