



Chipsmall Limited consists of a professional team with an average of over 10 year of expertise in the distribution of electronic components. Based in Hongkong, we have already established firm and mutual-benefit business relationships with customers from,Europe,America and south Asia,supplying obsolete and hard-to-find components to meet their specific needs.

With the principle of "Quality Parts,Customers Priority,Honest Operation,and Considerate Service",our business mainly focus on the distribution of electronic components. Line cards we deal with include Microchip,ALPS,ROHM,Xilinx,Pulse,ON,Everlight and Freescale. Main products comprise IC,Modules,Potentiometer,IC Socket,Relay,Connector.Our parts cover such applications as commercial,industrial, and automotives areas.

We are looking forward to setting up business relationship with you and hope to provide you with the best service and solution. Let us make a better world for our industry!



## Contact us

Tel: +86-755-8981 8866 Fax: +86-755-8427 6832

Email & Skype: info@chipsmall.com Web: www.chipsmall.com

Address: A1208, Overseas Decoration Building, #122 Zhenhua RD., Futian, Shenzhen, China



THIS DRAWING IS UNPUBLISHED.

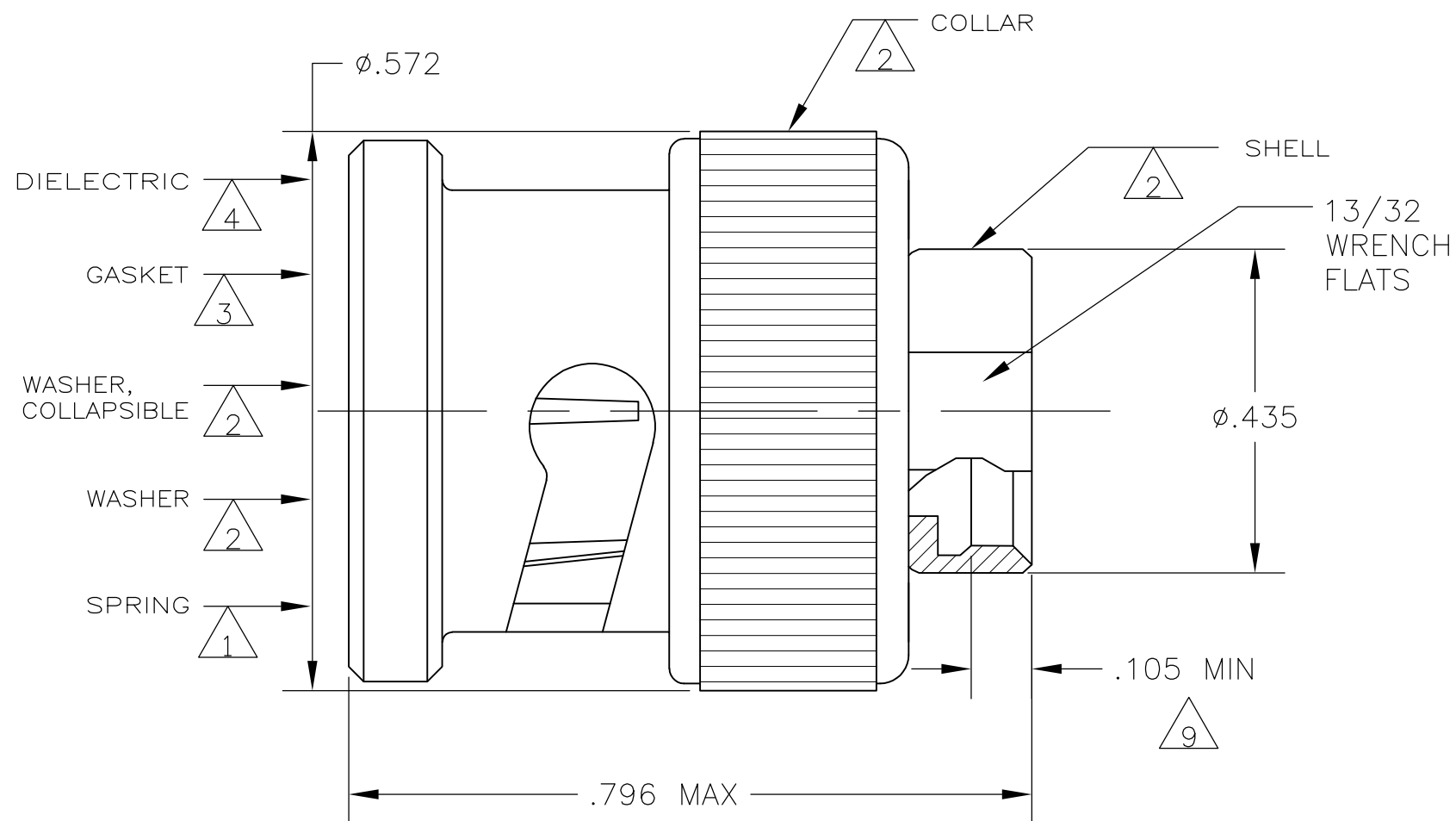
RELEASED FOR PUBLICATION

REVISIONS

© COPYRIGHT - By -

ALL RIGHTS RESERVED.

P	LTR	DESCRIPTION	DATE	DWN	APVD
	B	PER ECO-15-015255	23OCT2015	RZ	RS



- 1 BERYLLIUM COPPER PER ASTM-B-194
- 2 BRASS PER ASTM-B-16
- 3 SILICONE RUBBER PER ZZ-R-765
- 4 PTFE PER ASTM-D-1710
- 5 SILVER PLATE PER QQ-S-365
- 6 TIN PLATE PER ASTM-B-545
- 7 BRIGHT NICKEL PLATE PER QQ-N-90
- 8 TIN-LEAD PLATE PER ASTM-B-545
- 9 3/8-32 UNEF-2B

REPLACED BY 9-329804-0 OBSOLETE

5	5	6	5	5	9-329804-0
7	7	8	7	7	2-329804-3
5	5	8	5	5	329804
SHELL	WASHER	SPRING	WASHER, COLLAPSIBLE	COLLAR	PART NUMBER
FINISH					
THIS DRAWING IS A CONTROLLED DOCUMENT.			DWN	03-05-69	<b>STE</b> TE Connectivity
			CHK	03-05-69	
			APVD	03-11-69	
			PRODUCT SPEC	NAME	
DIMENSIONS: INCHES		TOLERANCES UNLESS OTHERWISE SPECIFIED:		PLUG ASSEMBLY SERIES BNC	
		0 PLC ± -		SIZE	
		1 PLC ± -		CAGE CODE	
		2 PLC ± -		DRAWING NO	
		3 PLC ± -		RESTRICTED TO	
		4 PLC ± -		A3 00779 C-329804	
		ANGLES ± -		SCALE	
MATERIAL		FINISH		4:1	
1 2 3 4		5 6 7 8		SHEET 1 OF 1	
CUSTOMER DRAWING				REV B	