



Chipsmall Limited consists of a professional team with an average of over 10 year of expertise in the distribution of electronic components. Based in Hongkong, we have already established firm and mutual-benefit business relationships with customers from,Europe,America and south Asia,supplying obsolete and hard-to-find components to meet their specific needs.

With the principle of “Quality Parts,Customers Priority,Honest Operation,and Considerate Service”,our business mainly focus on the distribution of electronic components. Line cards we deal with include Microchip,ALPS,ROHM,Xilinx,Pulse,ON,Everlight and Freescale. Main products comprise IC,Modules,Potentiometer,IC Socket,Relay,Connector.Our parts cover such applications as commercial,industrial, and automotives areas.

We are looking forward to setting up business relationship with you and hope to provide you with the best service and solution. Let us make a better world for our industry!



Contact us

Tel: +86-755-8981 8866 Fax: +86-755-8427 6832

Email & Skype: info@chipsmall.com Web: www.chipsmall.com

Address: A1208, Overseas Decoration Building, #122 Zhenhua RD., Futian, Shenzhen, China



NOTES:

1. MATERIALS:

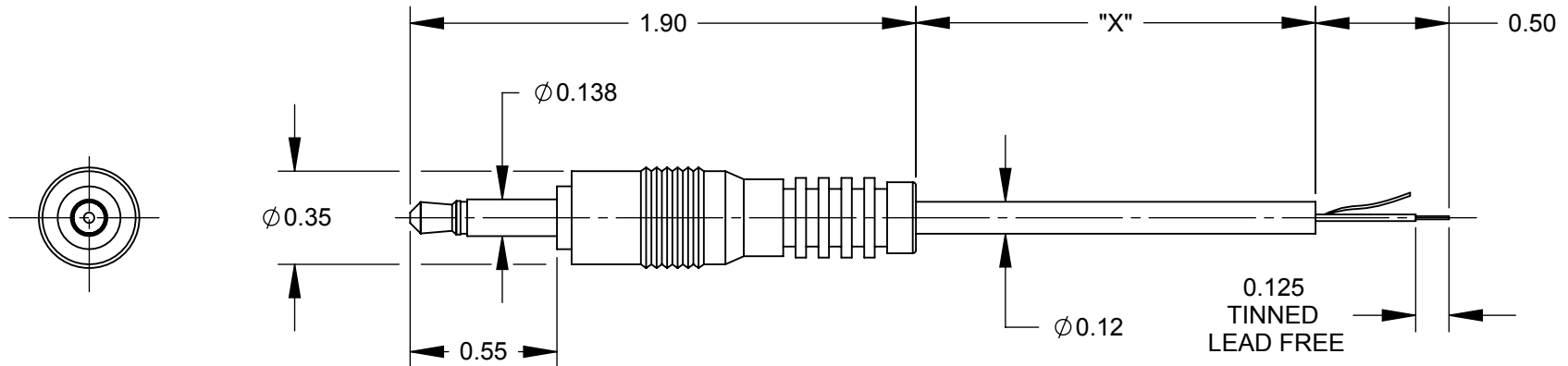
- B CABLE JACKET - PVC, BLACK
- CONDUCTORS - 26 AWG, CENTER COND. W/ COPPER SPIRAL SHIELD
- OVERMOLD - PVC, BLACK
- PLUG - BRASS, NICKEL PLATED WITH STEEL PIN, NICKEL PLATED

2. LEAD FREE SOLDER.

3. THIS PRODUCT IS RoHS COMPLIANT.

C

PART NUMBER	DIM "X"
32HR03684X	36.0" ±1.6"
32HR07284X	72.0" ±2.0"
32HR07884X	78.0" ±2.0"
32HR12084X	120.0" ±4.0"
32HR14484X	144.0" ±4.0"
32HR120084X	1200.0" ±9.0"



3.5MM MONO PLUG

S & T

B

WIRE CHART	
TIP	CENTER COND.
SLEEVE	SHIELD

CUSTOMER DRAWING

					THIS DRAWING DESCRIBES A DESIGN CONSIDERED PROPRIETARY IN NATURE, DEVELOPED AND MANUFACTURED BY SWITCHCRAFT INC. AND IS RELEASED ON A CONFIDENTIAL BASIS FOR IDENTIFICATION PURPOSES ONLY.					
					SIZE	WIDTH	MULT	LBS/M	TEMPER	
					FINISH			MATERIAL		
					SPEC No.			SPEC No.		
					FIRST USED ON		SCALE 1.5:1			
C	27142	5-7-13	TO	TJK	DATE DRAWN	BY	CHKD	APVD	Switchcraft [®]	
B	25790	01-07-08	AH	TJK	6/20/06	RF	RF	TJK		
A	26016	6/20/06	RF	TJK	6/20/06		6/26/06			
REV	ECO NUMBER	DATE	BY	APVD	NAME			PART No.	REV	
REVISIONS					DO NOT SCALE DRAWING			32HR__84X		C
					ST 3.5MM MONO TO S & T, RoHS					

