



Chipsmall Limited consists of a professional team with an average of over 10 year of expertise in the distribution of electronic components. Based in Hongkong, we have already established firm and mutual-benefit business relationships with customers from,Europe,America and south Asia,supplying obsolete and hard-to-find components to meet their specific needs.

With the principle of “Quality Parts,Customers Priority,Honest Operation,and Considerate Service”,our business mainly focus on the distribution of electronic components. Line cards we deal with include Microchip,ALPS,ROHM,Xilinx,Pulse,ON,Everlight and Freescale. Main products comprise IC,Modules,Potentiometer,IC Socket,Relay,Connector.Our parts cover such applications as commercial,industrial, and automotives areas.

We are looking forward to setting up business relationship with you and hope to provide you with the best service and solution. Let us make a better world for our industry!



## Contact us

Tel: +86-755-8981 8866 Fax: +86-755-8427 6832

Email & Skype: info@chipsmall.com Web: www.chipsmall.com

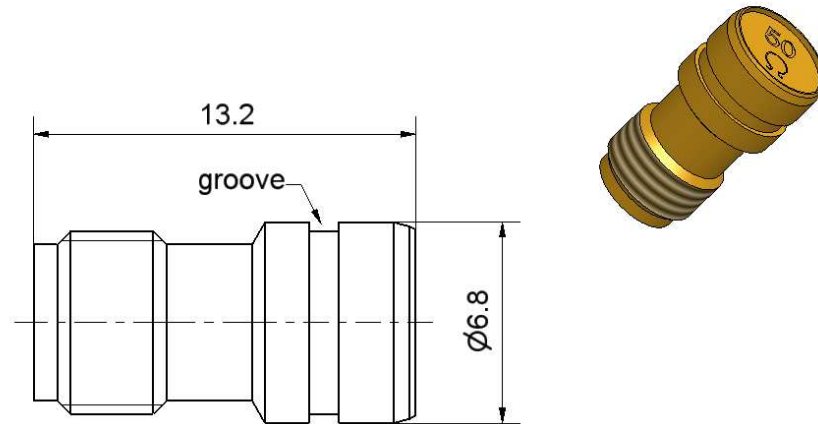
Address: A1208, Overseas Decoration Building, #122 Zhenhua RD., Futian, Shenzhen, China



SMA

Termination  
Jack 1 Watt

**32K17R-001E3**



All dimensions are in mm; tolerances according to ISO 2768 m-H

**Interface**

According to

IEC 60169-15; EN 122110; MIL-STD-348

**Documents**

N/A

**Material and plating**

**Connector parts**

Center conductor  
Outer conductor  
Dielectric  
Substrate  
Insulator

**Material**

CuBe  
Brass  
PTFE  
Al<sub>2</sub>O<sub>3</sub>  
Silicone

**Plating**

Gold, min. 1.27 µm, over nickel  
Gold, min. 0.8 µm, over nickel

Dieses Dokument ist urheberrechtlich geschützt • This document is protected by copyright • Rosenberger Hochfrequenztechnik GmbH & Co. KG

RF\_35/09;14/6.2

**Technical Data Sheet****Rosenberger****SMA****Termination  
Jack 1 Watt****32K17R-001E3****Electrical data**

Impedance	50 Ω
Frequency range	DC to 18 GHz
Return loss	≥ 32.2 dB, DC to 2 GHz ≥ 26.4 dB, 2 GHz to 8 GHz ≥ 21.2 dB, 8 GHz to 12.4 GHz ≥ 20.8 dB, 12.4 GHz to 18 GHz
Power handling	1 W at 25 °C

**Mechanical data**

Mating cycles	≥ 100
Maximum torque	1.70 Nm
Recommended torque	0.90 Nm

**Environmental data**

Temperature range	- 55 °C to +155 °C
RoHS	compliant

**Packing**

Standard	100 pcs in blister
Weight	1.7 g/pce

While the information has been carefully compiled to the best of our knowledge, nothing is intended as representation or warranty on our part and no statement herein shall be construed as recommendation to infringe existing patents. In the effort to improve our products, we reserve the right to make changes judged to be necessary.

Draft	Date	Approved	Date	Rev.	Engineering change number	Name	Date
Kerstin Herzog	03.11.04	Markus Müller	07.11.16	c00	15-1629	Marion Striegler	07.11.16
Rosenberger Hochfrequenztechnik GmbH & Co. KG P.O.Box 1260 D-84526 Tittmoning Germany www.rosenberger.de						Tel. : +49 8684 18-0 Email : info@rosenberger.de	
							Page 2 / 2