



Chipsmall Limited consists of a professional team with an average of over 10 year of expertise in the distribution of electronic components. Based in Hongkong, we have already established firm and mutual-benefit business relationships with customers from,Europe,America and south Asia,supplying obsolete and hard-to-find components to meet their specific needs.

With the principle of “Quality Parts,Customers Priority,Honest Operation,and Considerate Service”,our business mainly focus on the distribution of electronic components. Line cards we deal with include Microchip,ALPS,ROHM,Xilinx,Pulse,ON,Everlight and Freescale. Main products comprise IC,Modules,Potentiometer,IC Socket,Relay,Connector.Our parts cover such applications as commercial,industrial, and automotives areas.

We are looking forward to setting up business relationship with you and hope to provide you with the best service and solution. Let us make a better world for our industry!



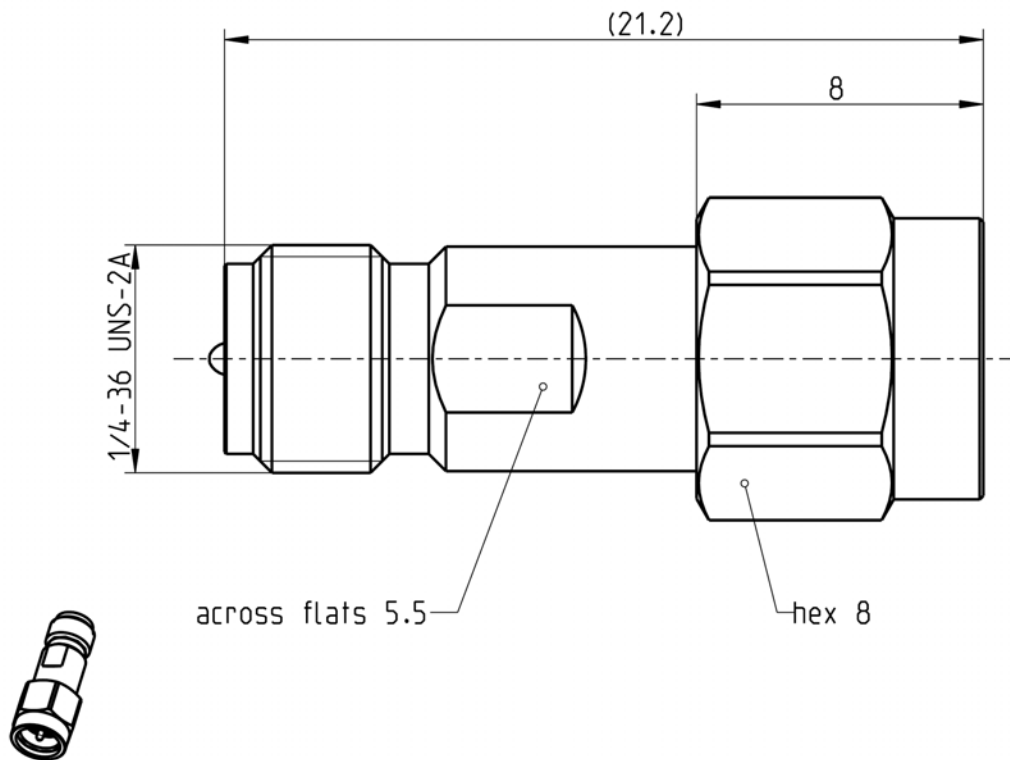
## Contact us

Tel: +86-755-8981 8866 Fax: +86-755-8427 6832

Email & Skype: info@chipsmall.com Web: www.chipsmall.com

Address: A1208, Overseas Decoration Building, #122 Zhenhua RD., Futian, Shenzhen, China





All dimensions are in mm; tolerances according to ISO 2768 m-H

**Interface**

Reverse SMA side:	according to derived from compliant with	Rosenberger 32RK000-000, series reverse SMA IEC 60169-15; EN 122110; MIL-STD-348A, Fig. 310 FCC standard (part 15; section 15.203)
SMA side:	according to	IEC 60169-15; EN 122110; MIL-STD-348A, Fig. 310

**Documents**

N/A

**Material and plating**

**Connector parts**

- Center contact
- Outer contact
- Dielectric
- Gasket
- Coupling nut

**Material**

- Brass
- CuBe or equivalent
- PTFE
- Silicone
- CuBe or equivalent

**Plating**

- AuroDur®, gold plated
- AuroDur®, gold plated
- Gold, 0.1 µm

**ADAPTOR  
REVERSE SMA JACK – SMA PLUG**

**32RK132-S00L5**

**Electrical data**

Impedance	50 Ω	
Frequency	DC to 18 GHz	
VSWR	$\leq 1.05 + 0.005 \times f$ [GHz]	
Insertion loss	$\leq 0.05 \times \sqrt{f(\text{GHz})}$ dB	
Insulation resistance	$\geq 5 \times 10^3$ MΩ	
Center contact resistance	$\leq 3$ mΩ, reverse SMA side;	$\leq 3$ mΩ, SMA side
Outer contact resistance	$\leq 2$ mΩ, reverse SMA side;	$\leq 2$ mΩ, SMA side
Test voltage	1000 V rms	
Working voltage	480 V rms	
Power handling (at 20 °C, sea level, VSWR 1.0)	$\leq 200$ W @ 2 GHz	
RF-leakage	$\geq 100$ dB up to 1 GHz	

**Mechanical data**

	Reverse SMA side	SMA side
Mating cycles	min. 500	min. 500
Coupling nut retention	N/A	$\geq 270$ N
Center contact captivation:	axial	$\geq 27$ N
	radial	$\geq 3$ Ncm
Coupling test torque	max. 1.7 Nm	max. 1.7 Nm
Recommended torque	0.8 Nm to 1.1 Nm	0.8 Nm to 1.1 Nm

**Environmental data**

Temperature range	-65°C to +165°C
Thermal shock	MIL-STD-202, Meth. 107, Cond. B
Corrosion	MIL-STD-202, Meth. 101, Cond. B
Vibration	MIL-STD-202, Meth. 204, Cond. D
Shock	MIL-STD-202, Meth. 213, Cond. I
Moisture resistance	MIL-STD-202, Meth. 106
RoHS	compliant

**Tooling**

N/A

**Suitable cables**

N/A

**Weight**

Weight 4.0 g/pce

While the information has been carefully compiled to the best of our knowledge, nothing is intended as representation or warranty on our part and no statement herein shall be construed as recommendation to infringe existing patents. In the effort to improve our products, we reserve the right to make changes judged to be necessary.

Draft	Date	Approved	Date	Rev.	Engineering change number	Name	Date
Entsfellner Chr.	30/01/08	Sa. Krautenbacher	14.03.14	d00	14-0352	T. Krojer	14.03.14
Rosenberger Hochfrequenztechnik GmbH & Co. KG P.O.Box 1260 D-84526 Tittmoning Germany <a href="http://www.rosenberger.de">www.rosenberger.de</a>					Tel.: +49 8684 18-0 Fax: +49 8684 18-499 email: <a href="mailto:info@rosenberger.de">info@rosenberger.de</a>		Page 2 / 2