



Chipsmall Limited consists of a professional team with an average of over 10 year of expertise in the distribution of electronic components. Based in Hongkong, we have already established firm and mutual-benefit business relationships with customers from,Europe,America and south Asia,supplying obsolete and hard-to-find components to meet their specific needs.

With the principle of “Quality Parts,Customers Priority,Honest Operation,and Considerate Service”,our business mainly focus on the distribution of electronic components. Line cards we deal with include Microchip,ALPS,ROHM,Xilinx,Pulse,ON,Everlight and Freescale. Main products comprise IC,Modules,Potentiometer,IC Socket,Relay,Connector.Our parts cover such applications as commercial,industrial, and automotives areas.

We are looking forward to setting up business relationship with you and hope to provide you with the best service and solution. Let us make a better world for our industry!



## Contact us

Tel: +86-755-8981 8866 Fax: +86-755-8427 6832

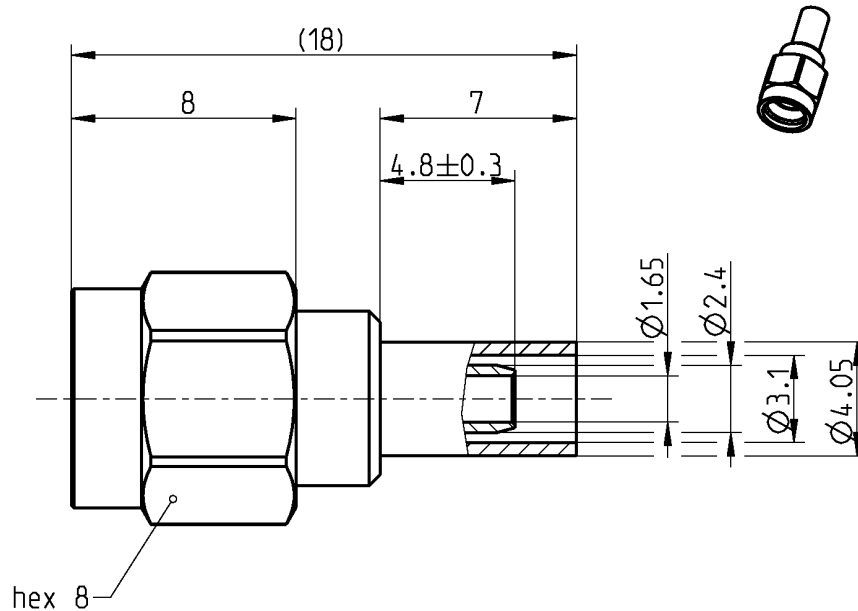
Email & Skype: info@chipsmall.com Web: www.chipsmall.com

Address: A1208, Overseas Decoration Building, #122 Zhenhua RD., Futian, Shenzhen, China



Reverse SMA STRAIGHT PLUG  
REVERSE POLARITY

**32RS147-302L5**



All dimensions are in mm; tolerances according to ISO 2768 m-H

**Interface**

According to Rosenberger 32RS000-000, series reverse SMA  
Derived from IEC 60169-15; EN 122110; MIL-STD-348A, Fig. 310  
Compliant with FCC standard (part 15; section 15.203)

**Documents**

Assembly instruction 32 B5

**Material and plating**

**Connector parts**

Center contact  
Outer contact  
Dielectric  
Gasket  
Coupling nut  
Crimping ferrule

**Material**

Beryllium copper  
Brass  
PTFE  
Silicone  
Brass  
Copper

**Plating**

AuroDur, gold plated  
AuroDur, gold plated  
Gold, 0.1 µm min.  
AuroDur, gold plated

Reverse SMA STRAIGHT PLUG REVERSE POLARITY

**32RS147-302L5**

**Electrical data**

Impedance	50 Ω
Frequency	DC to 12.4 GHz
VSWR	≤ 1.05 + 0.01 x f [GHz]
Insertion loss	≤ 0.05 x √f(GHz) dB
Insulation resistance	≥ 5 x10 <sup>3</sup> MΩ
Center contact resistance	≤ 3 mΩ
Outer contact resistance	≤ 2 mΩ
Test voltage	1000 V rms
Working voltage	480 V rms
Power handling (at 20 °C, sea level, VSWR 1.0)	≤ 200 W @ 2 GHz
RF-leakage	≥ 100 dB up to 1 GHz

- Limitations are possible due to the used cable type -

**Mechanical data**

Mating cycles	min. 100
Coupling nut retention	≥ 180 N
Center contact captivation: axial	≥ 27 N
Coupling test torque	max. 0.6 Nm
Recommended torque	0.5 Nm

**Environmental data**

Temperature range	-65°C to +165°C
Thermal shock	MIL-STD-202, Meth. 107, Cond. B
Corrosion	MIL-STD-202, Meth. 101, Cond. B
Vibration	MIL-STD-202, Meth. 204, Cond. D
Shock	MIL-STD-202, Meth. 213, Cond. I
Moisture resistance	MIL-STD-202, Meth. 106
RoHS	compliant

**Tooling**

Crimping tool	11W150-000
Crimp insert	11W150-102

**Suitable cables**

RG 174 A/U, RG 188 A/U, RG 316 /U

**Weight**

Weight	3.2 g/pce
--------	-----------

While the information has been carefully compiled to the best of our knowledge, nothing is intended as representation or warranty on our part and no statement herein shall be construed as recommendation to infringe existing patents. In the effort to improve our products, we reserve the right to make changes judged to be necessary.

Draft	Date	Approved	Date	Rev.	Engineering change number	Name	Date
Gramsamer Sepp	22/02/05	Sa. Krautenbacher	14.03.14	d00	14-0352	T. Krojer	14.03.14
Rosenberger Hochfrequenztechnik GmbH & Co. KG P.O.Box 1260 D-84526 Tittmoning Germany <a href="http://www.rosenberger.de">www.rosenberger.de</a>						Tel.: +49 8684 18-0 Fax: +49 8684 18-499 email: <a href="mailto:info@rosenberger.de">info@rosenberger.de</a>	
							Page
							2 / 2