



Chipsmall Limited consists of a professional team with an average of over 10 year of expertise in the distribution of electronic components. Based in Hongkong, we have already established firm and mutual-benefit business relationships with customers from,Europe,America and south Asia,supplying obsolete and hard-to-find components to meet their specific needs.

With the principle of “Quality Parts,Customers Priority,Honest Operation,and Considerate Service”,our business mainly focus on the distribution of electronic components. Line cards we deal with include Microchip,ALPS,ROHM,Xilinx,Pulse,ON,Everlight and Freescale. Main products comprise IC,Modules,Potentiometer,IC Socket,Relay,Connector.Our parts cover such applications as commercial,industrial, and automotives areas.

We are looking forward to setting up business relationship with you and hope to provide you with the best service and solution. Let us make a better world for our industry!



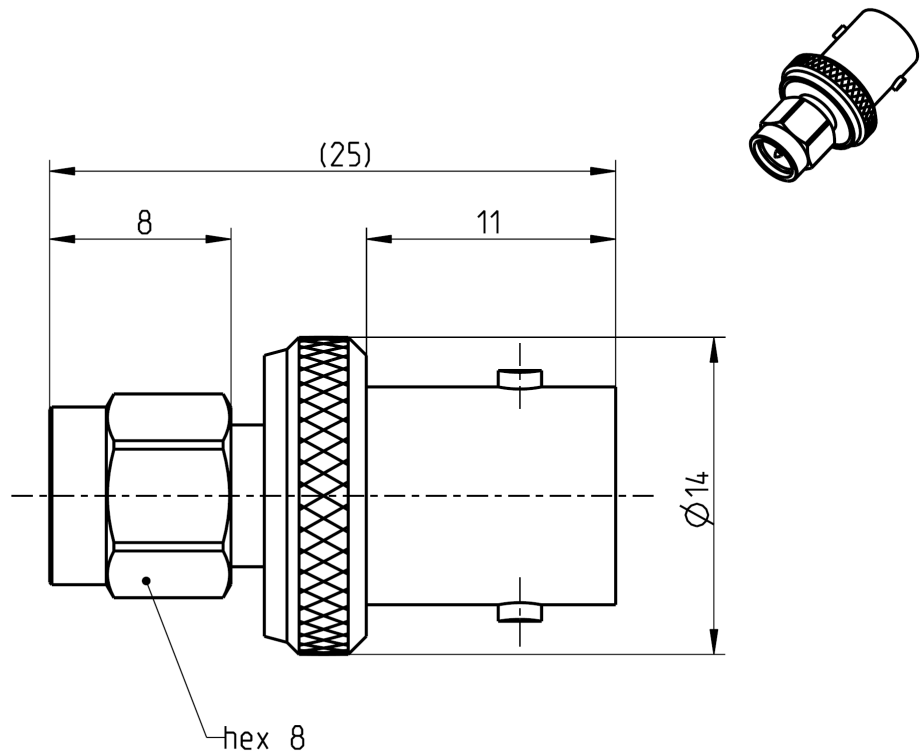
## Contact us

Tel: +86-755-8981 8866 Fax: +86-755-8427 6832

Email & Skype: info@chipsmall.com Web: www.chipsmall.com

Address: A1208, Overseas Decoration Building, #122 Zhenhua RD., Futian, Shenzhen, China





All dimensions are in mm; tolerances according to ISO 2768 m-H

**Interface**

According to SMA side: IEC 60169-15; EN 122110; MIL-STD-348  
BNC side: IEC 60169-8, MIL-PRF-39012, CECC 22120

**Documents**

N/A

**Material and plating**

**Connector parts**

Center contact	CuBe
Outer contact SMA side	CuBe or equivalent
Outer contact BNC side	Brass
Dielectric	PTFE
Gasket	Silicone
Coupling nut SMA side	CuBe or equivalent

**Material**

**Plating**

AuroDur®, gold plated  
AuroDur®, gold plated  
Nickel, 2.5-5 µm  
  
Gold, 0.1 µm

**Electrical data**

Impedance	50 Ω	
Frequency	DC to 6 GHz	
VSWR	$\leq 1.05 + 0.005 \times f$ [GHz]	
Insertion loss	$\leq 0.05 \times \sqrt{f(\text{GHz})}$ dB	
Insulation resistance	$\geq 5 \times 10^3$ MΩ	
Center contact resistance	$\leq 3$ mΩ, SMA side	$\leq 1.5$ mΩ, BNC side
Outer contact resistance	$\leq 2$ mΩ, SMA side	$\leq 1$ mΩ, BNC side
Test voltage	1000 V rms	
Working voltage	400 V rms	
Power handling (at 20 °C, sea level, VSWR 1.0)	$\leq 80$ W @ 2 GHz	

**Mechanical data**

	SMA side	BNC side
Mating cycles	min. 500	min. 500
Coupling nut retention	$\geq 270$ N	N/A
Center contact captivation: axial	$\geq 27$ N	$\geq 27$ N
Coupling test torque	max. 1.7 Nm	N/A
Recommended torque	0.8 Nm to 1.1 Nm	N/A

**Environmental data**

Temperature range	-65°C to +165°C
Thermal shock	MIL-STD-202, Meth. 107, Cond. B
Corrosion	MIL-STD-202, Meth. 101, Cond. B
Vibration	MIL-STD-202, Meth. 204, Cond. D
Shock	MIL-STD-202, Meth. 213, Cond. I
Moisture resistance	MIL-STD-202, Meth. 106
RoHS	compliant

**Tooling**

N/A

**Suitable cables**

N/A

**Weight**

Weight 9.0 g/pce

While the information has been carefully compiled to the best of our knowledge, nothing is intended as representation or warranty on our part and no statement herein shall be construed as recommendation to infringe existing patents. In the effort to improve our products, we reserve the right to make changes judged to be necessary.

Draft	Date	Approved	Date	Rev.	Engineering change number	Name	Date
Rong Fang	13/09/04	J_Krautenbacher	21.07.16	i00	15-1629	I_Wallner	21.07.16
Rosenberger Hochfrequenztechnik GmbH & Co. KG P.O.Box 1260 D-84526 Tittmoning Germany <a href="http://www.rosenberger.de">www.rosenberger.de</a>					Tel.: +49 8684 18-0 email: <a href="mailto:info@rosenberger.de">info@rosenberger.de</a>		Page 2 / 2