



Chipsmall Limited consists of a professional team with an average of over 10 year of expertise in the distribution of electronic components. Based in Hongkong, we have already established firm and mutual-benefit business relationships with customers from,Europe,America and south Asia,supplying obsolete and hard-to-find components to meet their specific needs.

With the principle of “Quality Parts,Customers Priority,Honest Operation,and Considerate Service”,our business mainly focus on the distribution of electronic components. Line cards we deal with include Microchip,ALPS,ROHM,Xilinx,Pulse,ON,Everlight and Freescale. Main products comprise IC,Modules,Potentiometer,IC Socket,Relay,Connector.Our parts cover such applications as commercial,industrial, and automotives areas.

We are looking forward to setting up business relationship with you and hope to provide you with the best service and solution. Let us make a better world for our industry!



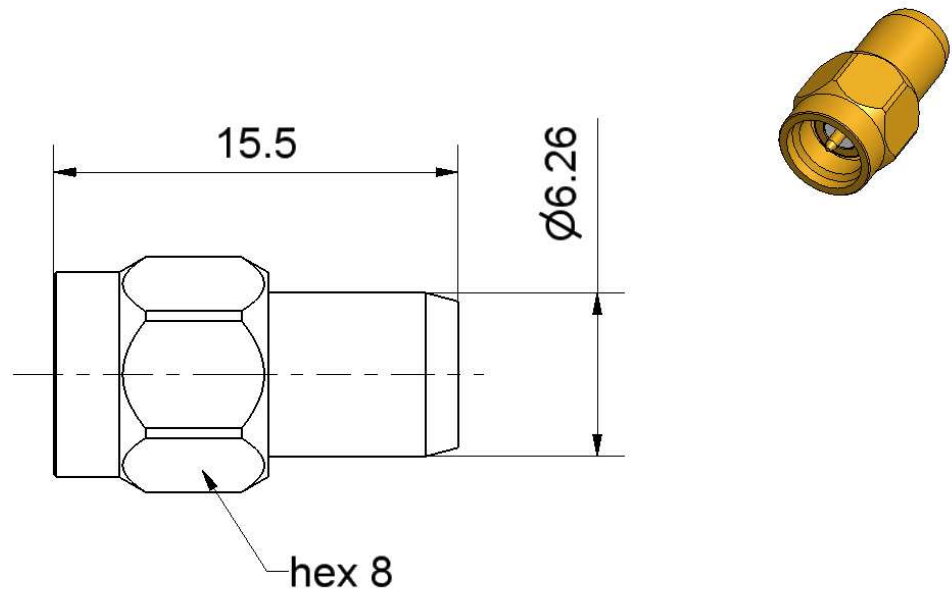
## Contact us

Tel: +86-755-8981 8866 Fax: +86-755-8427 6832

Email & Skype: info@chipsmall.com Web: www.chipsmall.com

Address: A1208, Overseas Decoration Building, #122 Zhenhua RD., Futian, Shenzhen, China





All dimensions are in mm; tolerances according to ISO 2768 m-H

**Interface**

According to IEC 60169-15; EN 122110; MIL-STD-348

**Documents**

N/A

**Material and plating**

**Connector parts**

- Center conductor
- Outer conductor
- Coupling nut
- Dielectric
- Gasket
- Substrate

**Material**

- Brass
- Brass
- Brass
- PTFE
- Silicone
- Al<sub>2</sub>O<sub>3</sub>

**Plating**

- Gold, min. 1.27 µm, over nickel
- Gold, min. 0.8 µm, over nickel
- Gold, 0.1 µm min.

Dieses Dokument ist urheberrechtlich geschützt • This document is protected by copyright • Rosenberger Hochfrequenztechnik GmbH & Co. KG

RF\_35/09;14/6.2

**Technical Data Sheet****Rosenberger****SMA****Termination  
Plug 0.5 Watt****32S15R-0.5E3****Electrical data**

Frequency range	DC to 12.4 GHz
Return loss	≥ 32.2 dB, DC to 2 GHz ≥ 26.4 dB, 2 GHz to 8 GHz ≥ 21.2 dB, 8 GHz to 12.4 GHz
DC Resistance	50 Ω ± 2.5 Ω
Impulse Power (1μs, 1%)	100 Watts at 25°C environment temperature
Power handling	≤ 0.5 W at 25°C derated linearity to 0 Watts at 155°C

**Mechanical data**

Mating cycles	≥ 500
Maximum torque	1.70 Nm
Recommended torque	0.90 Nm
Gauge	0.00 mm to 0.25 mm

**Environmental data**

Temperature range	-55 °C to +155 °C
RoHS	compliant

**Packing**

Standard	100 pcs in blister
Weight	3.4 g/pce

While the information has been carefully compiled to the best of our knowledge, nothing is intended as representation or warranty on our part and no statement herein shall be construed as recommendation to infringe existing patents. In the effort to improve our products, we reserve the right to make changes judged to be necessary.

Draft	Date	Approved	Date	Rev.	Engineering change number	Name	Date
Kerstin Herzog	10.02.05	Markus Müller	15.09.16	c00	16-1390	Marion Striegler	15.09.16

Rosenberger Hochfrequenztechnik GmbH & Co. KG  
P.O.Box 1260 D-84526 Tittmoning Germany  
www.rosenberger.de

Tel. : +49 8684 18-0  
Email : info@rosenberger.de

Page  
2 / 2