



Chipsmall Limited consists of a professional team with an average of over 10 year of expertise in the distribution of electronic components. Based in Hongkong, we have already established firm and mutual-benefit business relationships with customers from,Europe,America and south Asia,supplying obsolete and hard-to-find components to meet their specific needs.

With the principle of "Quality Parts,Customers Priority,Honest Operation,and Considerate Service",our business mainly focus on the distribution of electronic components. Line cards we deal with include Microchip,ALPS,ROHM,Xilinx,Pulse,ON,Everlight and Freescale. Main products comprise IC,Modules,Potentiometer,IC Socket,Relay,Connector.Our parts cover such applications as commercial,industrial, and automotives areas.

We are looking forward to setting up business relationship with you and hope to provide you with the best service and solution. Let us make a better world for our industry!



Contact us

Tel: +86-755-8981 8866 Fax: +86-755-8427 6832

Email & Skype: info@chipsmall.com Web: www.chipsmall.com

Address: A1208, Overseas Decoration Building, #122 Zhenhua RD., Futian, Shenzhen, China





When precision matters[®]

A Tallysman Accutenna[®] TW1421/TW1422 Compact Dual Feed Embedded GPS/GLONASS

The TW1421/TW1422 employ Tallysman's patented Accutenna[®] technology covering the GPS L1, GLONASS G1, and SBAS (WAAS, EGNOS & MSAS) frequency band (1574 to 1606 MHz). It provides truly circular response over its entire bandwidth thereby producing superior multipath signal rejection. It also offers high out of band signal rejection.

The antennas feature a novel 25mm wideband patch element with dual-feeds that are summed in a 90° Hybrid and input to a two stage Low Noise Amplifier (LNA) with a mid-section SAW a second low noise gain stage. This configuration provides excellent axial ratio and cross-polarization rejection across the full frequency band.

The TW1422 has a pre-filter which increases the antenna's immunity to high amplitude interfering signals, such as LTE and other cellular signals.

The built-in 35mm circular ground plane should ideally be augmented with a local system ground plane or reflecting surface (DC connection not required).

The height of the RF shield (can) will be selected based upon the connector type. Connectors which require RG174 cable will be used with the taller can. Connectors which require micro-coax cable will be used with the shorter can.

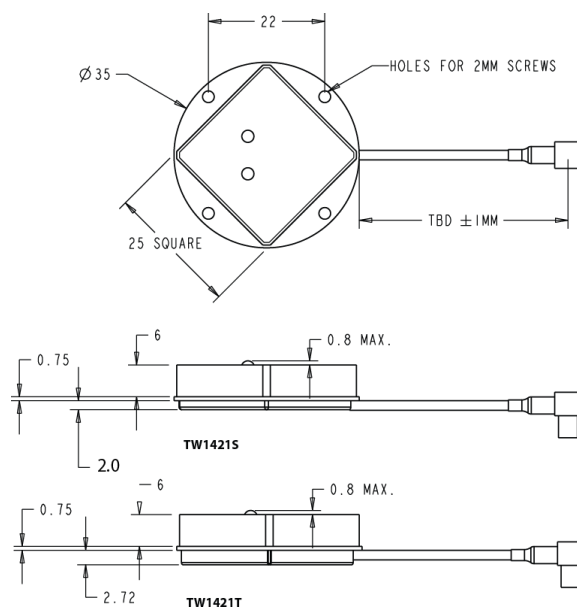
OEM antennas are easily detuned by the local environment. Tallysman offers custom tuning services for optimized integration into OEM end-user modules.

Applications

- High Accuracy GPS & GLONASS
- Precision Agriculture, Mining & Construction
- Avionics
- Law Enforcement & Public Safety
- Fleet Management & Asset Tracking

Features

- Compact Dual Feed Patch Element
- 1dB bandwidth 1575-1606MHz
- Very low noise LNA: <1.25 dB(TW1421)
- <1.5 dB Axial Ratio @ zenith over bandwidth
- LNA gain: 28 dB typ. (TW1421) 26dB typ (TW1422)
- Wide Supply voltage: fixed 2.5V to 16V
- ESD circuit protection: 15KV
- Temperature Compensated Gain



Benefits

- Great multipath rejection
- Increase system accuracy
- Improved carrier phase linearity
- Excellent signal to noise ratio
- Great out of band signal rejection
- Compact form factor
- RoHS compliant



When precision matters.®

TW1421/TW1422 Dual Feed Embedded GPS/GLONASS Antenna Specifications

At; Vcc = 3V, over full bandwidth, T=25°C

Antenna

Architecture	Dual, Quadrature Feeds
1 dB Bandwidth	31MHz
Antenna Gain (with 100mm ground plane)	4.5dBic
Axial Ratio over full bandwidth,	<1.5 dB @zenith, ≤3.0dB max

Electrical

Architecture	One LNA per feed line, mid-section SAW filter		
Filtered LNA Frequency Bandwidth	1574MHz to 1606MHz		
Polarization	RHCP		
LNA Gain 1575.42MHz to 1606MHz	28dB typ., 25dB Min, (TW1421) 26dBtyp. 23dB min (TW1422)		
Gain flatness	+/- 2dB, 1575MHz to 1606MHz		
Out-of-Band Rejection	<u>TW1421</u>	<u>TW1422</u>	
	<1500MHz:	>32dB	>60dB
	<1550MHz:	>25dB	>55dB
	>1640MHz:	>60dB	>65dB
VSWR (at LNA output)	<1.5:1 typ. 1.8:1 max		
Noise Figure	≤1.25dB typ.(TW1421) 3.5dBtyp (TW1422)		
Supply Voltage Range (over coaxial cable)	+2.5 VDC to 16 VDC nominal		
Supply Current	10mA typ. 15mA max. (@ 85°C)		
ESD Circuit Protection	15KV air discharge		

Mechanicals & Environmental

Mechanical Size	35mm dia. x 7.25mm
Cable	1.38mm OD (micro-coax) or 2.6mm OD (RG174)
Operating Temp. Range	-40°C to +85°C
Weight	18g
Attachment Method	Adhesive or M2 screw mount
Environmental	RoHS and REACH compliant
Shock	Vertical axis: 50G, other axes: 30G
Vibration	3 axis, sweep = 15 min, 10 to 200Hz sweep: 3G
Warranty	One year – parts and labour

Ordering Information

Part Numbers:

TW1421 – GPS L1/GLONASS G1 antenna,	33-1421-xx-yyyy-zz
TW1422 – Pre-filtered GPS L1/GLONASS G1 antenna	33-1422-xx-yyyy-zz

Please refer to the Ordering Guide (<http://www.tallysman.com/wp-content/uploads/Current-Ordering-Guide.pdf>) for the current and complete list of available connectors.



36 Steacie Drive, Ottawa ON K2K 2A9 Canada

Tel 613 591 3131

Fax 613 591 3121

sales@tallysman.com

The information provided herein is intended as a guide only and is subject to change without notice. This document is not to be regarded as a guarantee of performance. Tallysman Wireless Inc. hereby disclaims any or all warranties and liabilities of any kind. © 2015 Tallysman Wireless Inc. All rights reserved.

Rev 4.2