



Chipsmall Limited consists of a professional team with an average of over 10 year of expertise in the distribution of electronic components. Based in Hongkong, we have already established firm and mutual-benefit business relationships with customers from,Europe,America and south Asia,supplying obsolete and hard-to-find components to meet their specific needs.

With the principle of “Quality Parts,Customers Priority,Honest Operation,and Considerate Service”,our business mainly focus on the distribution of electronic components. Line cards we deal with include Microchip,ALPS,ROHM,Xilinx,Pulse,ON,Everlight and Freescale. Main products comprise IC,Modules,Potentiometer,IC Socket,Relay,Connector.Our parts cover such applications as commercial,industrial, and automotives areas.

We are looking forward to setting up business relationship with you and hope to provide you with the best service and solution. Let us make a better world for our industry!



Contact us

Tel: +86-755-8981 8866 Fax: +86-755-8427 6832

Email & Skype: info@chipsmall.com Web: www.chipsmall.com

Address: A1208, Overseas Decoration Building, #122 Zhenhua RD., Futian, Shenzhen, China





When precision matters.®

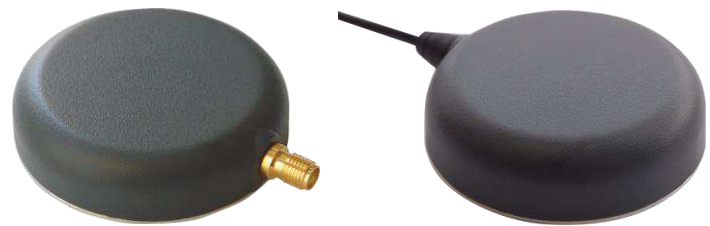
A Tallysman Accutenna® TW2410/TW2412 Magnetic Mount GPS/GLONASS Antenna

The TW2410/TW2412 employs Tallysman's unique Accutenna® technology covering the GPS L1, GLONASS L1 and SBAS (WAAS, EGNOS & MSAS) frequency bands (1574 to 1606 MHz). It is especially designed for precision industrial, agricultural and military OEM applications. It provides truly circular response over its entire bandwidth thereby producing superior multipath signal rejection.

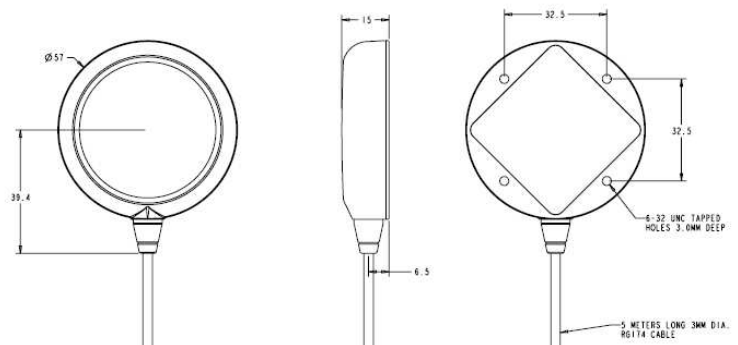
The TW2410/TW2412 features a dual-feed wideband patch element, with a two stage Low Noise Amplifier, comprised of one input LNA per feed, a mid section SAW to filter the combined output, and a final output gain stage. This configuration provides excellent axial ratio that is constant across the full frequency band. An optional tight pre-filter is available with part number TW2412 to protect against saturation by high level sub-harmonics and L-Band signals.

The TW2410/ TW2412 is housed in a compact, industrial-grade weather-proof, magnet mount enclosure, and is available with a variety of connectors and cable lengths.

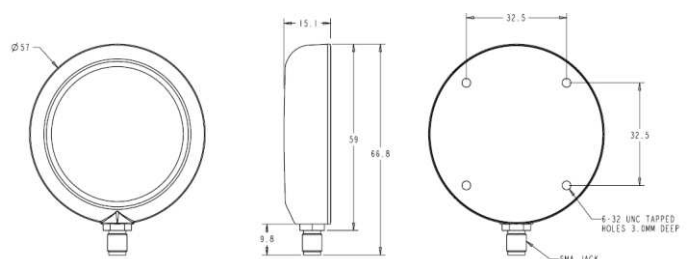
The antenna can be ordered without the magnet. In such cases, the magnet is replaced with a plastic plug to provide a smooth under surface



Dimensions (mm)



Dimensions (mm)



Applications

- High Accuracy & Mission Critical GNSS
- Precision Agriculture, Mining & Construction
- Military & Security
- Avionics
- Law Enforcement & Public Safety
- Fleet Management & Asset Tracking

Features

- Great axial ratio: <1 dB at zenith
- Low noise LNA: 1.5dB typ.
- High rejection SAW filter
- LNA gain: 28 dB typ.
- Low current: 15 mA typ.
- Wide voltage input range: 2.5 to 16 VDC
- IP67 weather proof housing

Benefits

- Excellent multipath rejection
- Increased system accuracy
- Excellent signal to noise ratio
- Great out of band signal rejection
- Ideal for harsh environments
- RoHS compliant



When precision matters...

TW2410/TW2412 Magnet Mount GPS/GLONASS Antenna Specifications

Vcc = 3V, over full bandwidth, T=25°C

Antenna

Architecture	Dual, Quadrature Feeds
1 dB Bandwidth	32 MHz
Antenna Gain (with 100mm ground plane)	4.25 dBic
Axial Ratio (for both L1 and G1) @zenith	<1 dB

Electrical

Architecture	One LNA per feed line, mid section SAW filter	
Filtered LNA Frequency Bandwidth	1574 to 1606 MHz	
Polarization	RHCP	
LNA Gain	28 dB min., 1575.42 to 1606 MHz	
Gain flatness	+/- 2 dB, 1575 to 1605 MHz	
Out-of-Band Rejection	<1500 MHz	>32 dB (TW2410) >50dB (TW2412)
	<1550 MHz	>25 dB (TW2410) >50 dB (TW2412)
	>1640 MHz	>35 dB (TW2410) >70 dB (TW2412)
VSWR (at LNA output)	<1.5:1 typ 1.8:1 max	
Noise Figure	1.5dB typ. (TW2410) 3.5dBtyp. (TW2412)	
Supply Voltage Range (over coaxial cable)	+2.5 to 16 VDC nominal (12VDC recommended maximum)	
Supply Current	15 mA typ, 25mA Q max (85°C).	
ESD Circuit Protection	15 KV air discharge	

Mechanicals & Environmental

Mechanical Size	57 mm dia. x 15 mm H
Cable	RG174 / 5 metres, other lengths optional
Operating Temp. Range	-40 to +85 °C
Enclosure	Radome: EXL9330, Base: Zamak white metal
Weight	110 g
Attachment Method	Magnet or permanent (pre-tapped 4 x 6-32 UNC)
Environmental	IP67, RoHS, REACH, and RED compliant
Shock	Vertical axis: 50 G, other axes: 30 G
Vibration	3 axis, sweep = 15 min, 10 to 200 Hz sweep: 3 G

Ordering Information

TW2410: 33-2410-xx-yyyy
TW2412: 33-2412-xx-yyyy

Where xx = connector type and yyyy = cable length in mm

Please refer to the Ordering Guide (<http://www.tallysman.com/wp-content/uploads/Current-Ordering-Guide.pdf>) for the current and complete list of available connectors.



36 Steacie Drive, Ottawa ON K2K 2A9 Canada

Tel 613 591 3131

Fax 613 591 3121

sales@tallysman.com

The information provided herein is intended as a guide only and is subject to change without notice. This document is not to be regarded as a guarantee of performance. Tallysman Wireless Inc. hereby disclaims any or all warranties and liabilities of any kind. © 2011 Tallysman Wireless Inc. All rights reserved.

Rev 4.5