



Chipsmall Limited consists of a professional team with an average of over 10 year of expertise in the distribution of electronic components. Based in Hongkong, we have already established firm and mutual-benefit business relationships with customers from,Europe,America and south Asia,supplying obsolete and hard-to-find components to meet their specific needs.

With the principle of “Quality Parts,Customers Priority,Honest Operation,and Considerate Service”,our business mainly focus on the distribution of electronic components. Line cards we deal with include Microchip,ALPS,ROHM,Xilinx,Pulse,ON,Everlight and Freescale. Main products comprise IC,Modules,Potentiometer,IC Socket,Relay,Connector.Our parts cover such applications as commercial,industrial, and automotives areas.

We are looking forward to setting up business relationship with you and hope to provide you with the best service and solution. Let us make a better world for our industry!



## Contact us

Tel: +86-755-8981 8866 Fax: +86-755-8427 6832

Email & Skype: info@chipsmall.com Web: www.chipsmall.com

Address: A1208, Overseas Decoration Building, #122 Zhenhua RD., Futian, Shenzhen, China





When precision matters.®

## A Tallysman Accutenna® TW2710 / TW2712 Magnet Mount Multi-Constellation Antenna

The TW2710 / TW2712 employs Tallysman's unique Accutenna technology covering the BeiDou B1, Galileo E1, GPS L1, GLONASS L1 and SBAS (WAAS, QZSS, EGNOS & MSAS) frequency band (1557 to 1606 MHz). It is especially designed for precision industrial, agricultural and military applications. It provides truly circular response over its entire bandwidth thereby producing superior multipath signal rejection.

The TW2710 / TW2712 has a low axial ratio, excellent phase linear response and a tight phase centre variation, providing the performance normally associated with higher priced antennas.

The TW2710 / TW2712 features a dual-feed wideband patch element, with one LNA per feed, a mid section combiner and SAW filter, and a final output gain stage.

The TW2712 has a pre-filter to provide extra protection against saturation by strong near frequency or harmonic signals, such as LTE.

The TW2710 / TW2712 is housed in a compact, industrial-grade weather-proof, magnet mount enclosure, and is available with a variety of connectors and cable lengths.

The antenna can be ordered without the magnet. In such cases, the magnet is replaced with a plastic plug to provide a smooth under surface.

### Applications

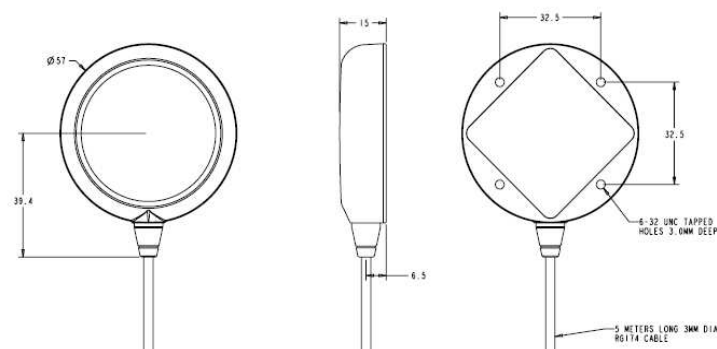
- High Accuracy & Mission Critical GNSS
- Precision Agriculture, Mining & Construction
- Military & Security
- Law Enforcement & Public Safety
- Fleet Management & Asset Tracking

### Features

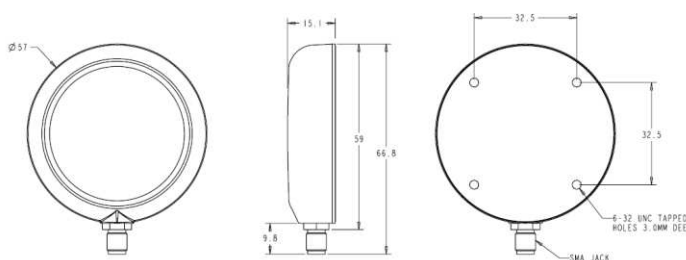
- Covers B1 / E1 / L1 / G1 Frequencies
- Great axial ratio: 1 typ., 3 dB max
- Low noise LNA:  $\leq 1$  dB
- High rejection SAW filter
- LNA gain: 28 dB typ.
- Low current: 15 mA typ.
- Wide voltage input range: 2.5 to 16 VDC



Dimensions (mm)



Dimensions (mm)



### Benefits

- Excellent multipath rejection
- Increased system accuracy
- Excellent signal to noise ratio
- Great out of band signal rejection
- Ideal for harsh environments
- RoHS compliant





When precision matters.®

# TW2710 / TW2712 Magnet Mount Multi-Constellation Antenna Specifications

Vcc = 3V, over full bandwidth, T=25°C

## Antenna

Architecture	Dual, Quadrature Feeds
2 dB Bandwidth	49 MHz
Antenna Gain (with 100mm ground plane)	4.75 dBic
Axial Ratio at Zenith over full bandwidth	<2 dB typ, ≤3 dB max

## Electrical

Architecture	One LNA per feed line, mid section SAW filter		
Filtered LNA Frequency Bandwidth	1557 to 1606 MHz		
Polarization	RHCP		
LNA Gain	TW2710: 28 dB min. TW2712: 26dB		
Gain flatness	+/- 2 dB, 1557 to 1606 MHz		
Out-of-Band Rejection (TW2710)	TW2710	TW2712	
	<1500 MHz	>40 dB	>60dB
	<1540 MHz	>20 dB	>45dB
	>1640 MHz	>45 dB	>45dB
VSWR (at LNA output)	<1.5:1 typ. 1.8:1 max.		
Noise Figure	≤1 dB typ.		
Supply Voltage Range (over coaxial cable)	+2.5 to 16 VDC nominal (12VDC recommended maximum)		
Supply Current	15 mA typ., 22mA max. (@85°C)		
ESD Circuit Protection	15 KV air discharge		

## Mechanicals & Environmental

Mechanical Size	57 mm dia. x 15 mm H
Connectors	Please refer to Ordering Information, below
Cable	RG174
Operating Temp. Range	-40°C to +85°C
Enclosure	Radome: ASA Plastic, Base: Zamak white metal
Weight	110g
Attachment Method	Magnet or permanent (pre-tapped 4 x 6-32 UNC)
Environmental	IP67, RoHS and RED compliant
Shock	Vertical axis: 50G, other axes: 30G
Vibration	3 axis, sweep = 15 min, 10 to 200 Hz sweep: 3G

## Ordering Information

TW2710 – Multi-Constellation antenna,	33-2710-xx-yyyy
TW2712 – Pre-filtered Multi-constellation antenna	33-2712-xx-yyyy
Where xx = connector type and yyyy = cable length in mm	

Please refer to the Ordering Guide (<http://www.tallysman.com/wp-content/uploads/Current-Ordering-Guide.pdf>) for the current and complete list of available connectors.



36 Steacie Drive Ottawa ON K2K 2A9 Canada

Tel +1 613 591 3131

Fax 613 591 3121

[sales@tallysman.com](mailto:sales@tallysman.com)

The information provided herein is intended as a guide only and is subject to change without notice. This document is not to be regarded as a guarantee of performance. Tallysman Wireless Inc. hereby disclaims any or all warranties and liabilities of any kind. © 2015 Tallysman Wireless Inc. All rights reserved. Rev 3.5