



Chipsmall Limited consists of a professional team with an average of over 10 year of expertise in the distribution of electronic components. Based in Hongkong, we have already established firm and mutual-benefit business relationships with customers from,Europe,America and south Asia,supplying obsolete and hard-to-find components to meet their specific needs.

With the principle of “Quality Parts,Customers Priority,Honest Operation,and Considerate Service”,our business mainly focus on the distribution of electronic components. Line cards we deal with include Microchip,ALPS,ROHM,Xilinx,Pulse,ON,Everlight and Freescale. Main products comprise IC,Modules,Potentiometer,IC Socket,Relay,Connector.Our parts cover such applications as commercial,industrial, and automotives areas.

We are looking forward to setting up business relationship with you and hope to provide you with the best service and solution. Let us make a better world for our industry!



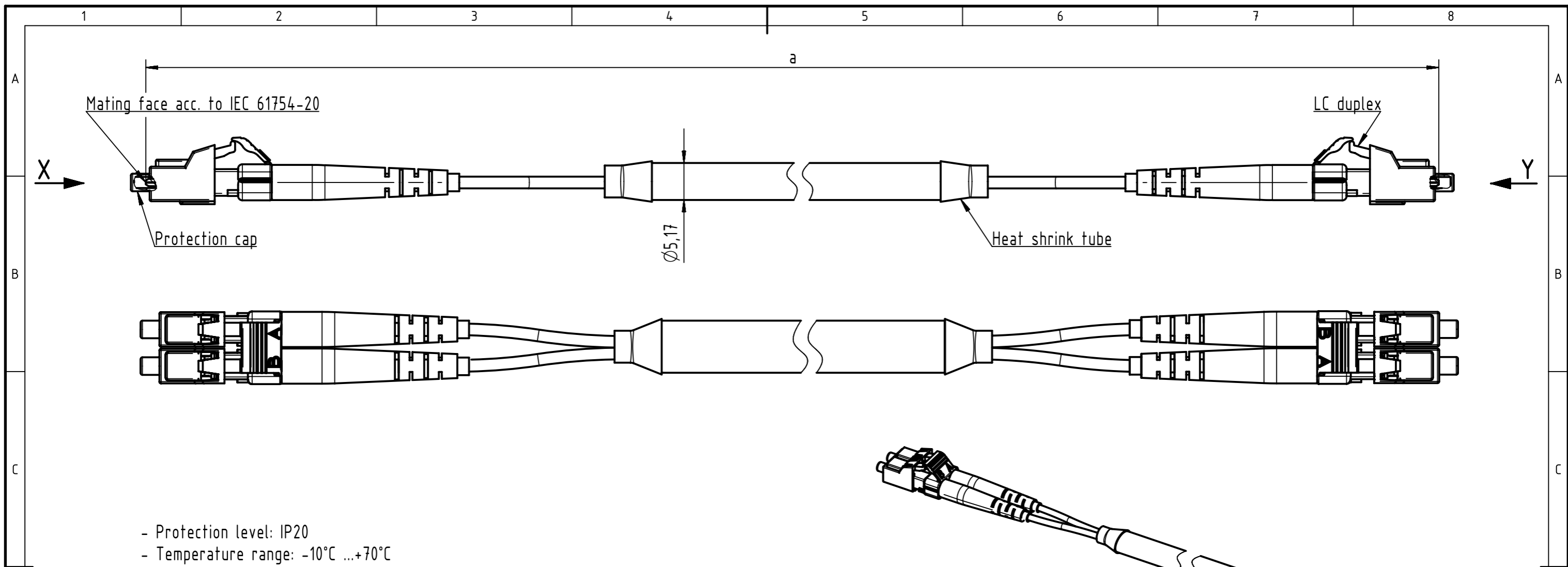
Contact us

Tel: +86-755-8981 8866 Fax: +86-755-8427 6832

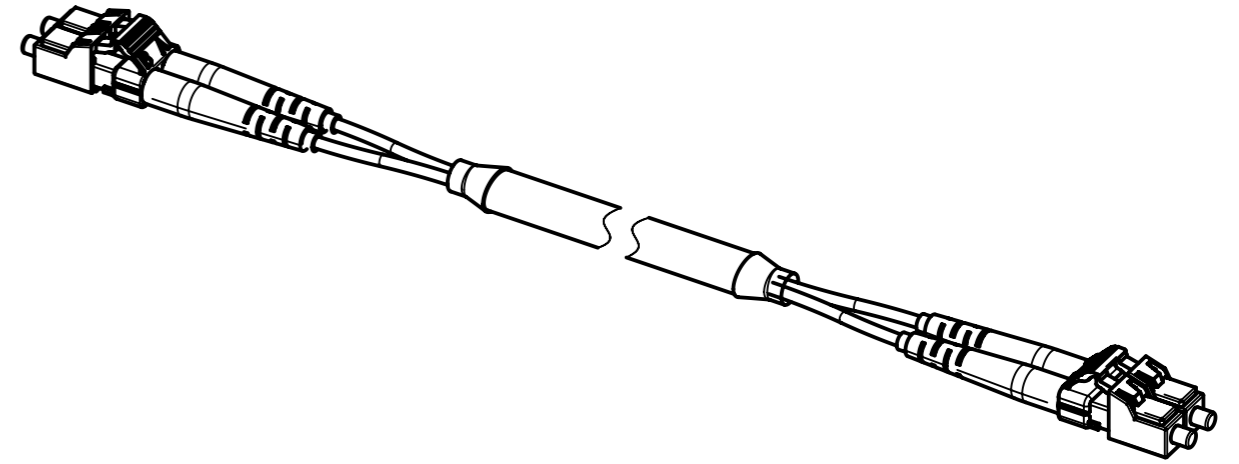
Email & Skype: info@chipsmall.com Web: www.chipsmall.com

Address: A1208, Overseas Decoration Building, #122 Zhenhua RD., Futian, Shenzhen, China



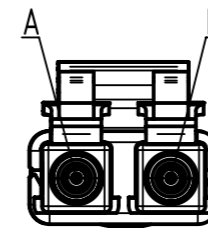


- Protection level: IP20
 - Temperature range: -10°C ...+70°C

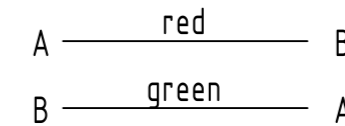


D	15	33012410600005	FO multimode cable, 50/125µm	60
	14	33012410500005		50
	13	33012410300005		30
	12	33012410200005		20
	11	33012410150005		15
	10	33012410100005		10
	9	33012410090005		9
E	8	33012410080005		8
	7	33012410070005		7
	6	33012410060005		6
	5	33012410050005		5
	4	33012410040005		4
	3	33012410030005		3
	2	33012410020005		2
F	1	33012410010005		1
	Cont. no.	Part. no.	Type of cable	Dim. a[m]

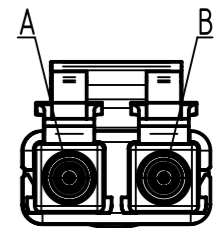
X (2:1)
 (without protection cap)



Loading-Plan



Y (2:1)
 (without protection cap)



	All rights reserved		Scale 1.5:1		Free size tol.		Ref.	
	Department EC PD - RO		Created by TOMUTA	Inspected by AVRAM	Standardisation HOFFMANN	Date 2014-05-26	State Final Release	
HARTING Electronics GmbH D-32339 Espelkamp		Title LC Cable Assembly			Type TB		Number 3301241XXX0005	
						Doc-Key / ECM-Nr. 100210841/UGD/008/D 50000075248		
						Rev. D		
						Page 1/1		