



Chipsmall Limited consists of a professional team with an average of over 10 year of expertise in the distribution of electronic components. Based in Hongkong, we have already established firm and mutual-benefit business relationships with customers from,Europe,America and south Asia,supplying obsolete and hard-to-find components to meet their specific needs.

With the principle of “Quality Parts,Customers Priority,Honest Operation,and Considerate Service”,our business mainly focus on the distribution of electronic components. Line cards we deal with include Microchip,ALPS,ROHM,Xilinx,Pulse,ON,Everlight and Freescale. Main products comprise IC,Modules,Potentiometer,IC Socket,Relay,Connector.Our parts cover such applications as commercial,industrial, and automotives areas.

We are looking forward to setting up business relationship with you and hope to provide you with the best service and solution. Let us make a better world for our industry!



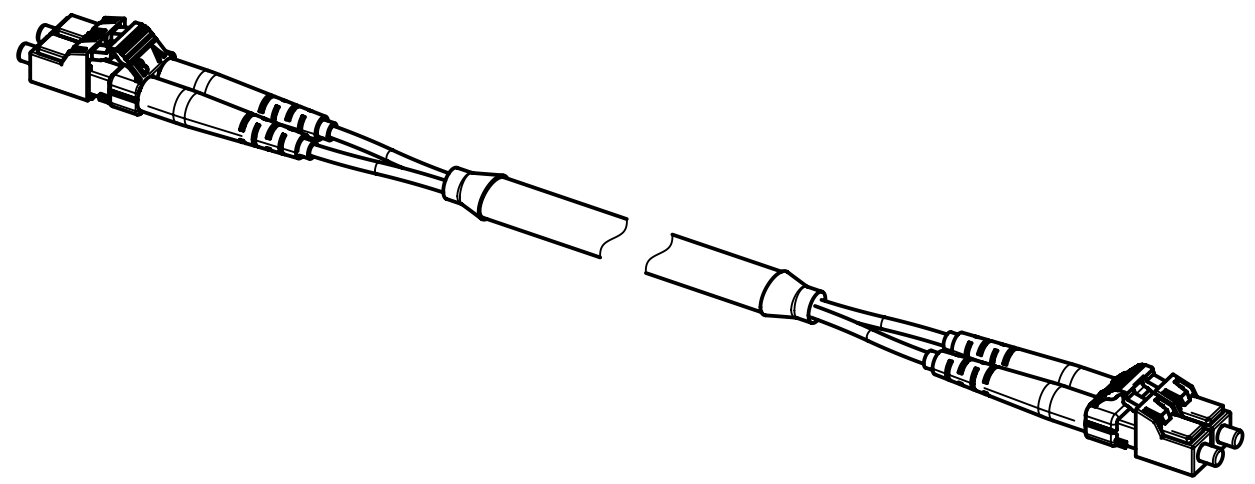
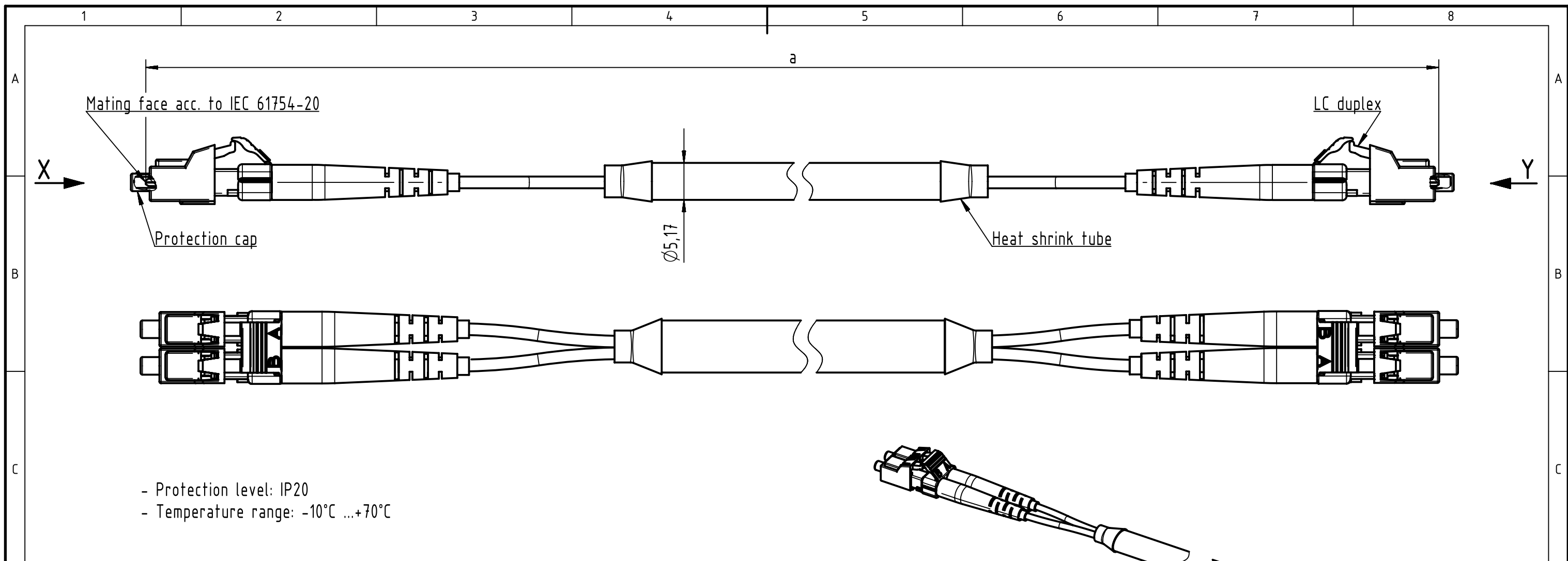
Contact us

Tel: +86-755-8981 8866 Fax: +86-755-8427 6832

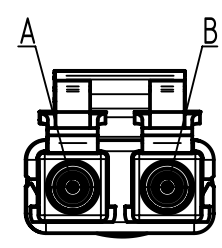
Email & Skype: info@chipsmall.com Web: www.chipsmall.com

Address: A1208, Overseas Decoration Building, #122 Zhenhua RD., Futian, Shenzhen, China

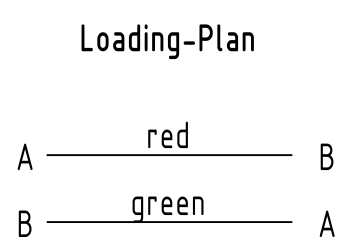
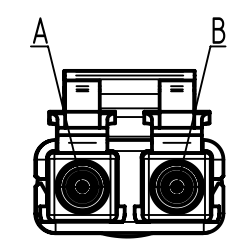




X (2:1)
(without protection cap)



Y (2:1)
(without protection cap)



Cont. no.	Part. no.	Type of cable	Dim. a[m]
17	33012411200005	FO multimode cable, 50/125µm	120
16	33012411000005		100
15	33012410600005		60
14	33012410500005		50
13	33012410300005		30
12	33012410200005		20
11	33012410150005		15
10	33012410100005		10
9	33012410090005		9
8	33012410080005		8
7	33012410070005		7
6	33012410060005		6
5	33012410050005		5
4	33012410040005		4
3	33012410030005		3
2	33012410020005		2
1	33012410010005		1

	All rights reserved Department EC PD - RO	Created by MUNTEANV	Inspected by TAMAS	Standardisation HOFFMANN	Date 2015-11-13	State Final Release	Ref. Sub.
	Title LC Cable Assembly		Type TB		Number 3301241XXX0005		Doc-Key / ECM-Nr. 100210841/UGD/008/E 50000097126
HARTING Electronics GmbH D-32339 Espelkamp						Rev. E	Page 1/1