



Chipsmall Limited consists of a professional team with an average of over 10 year of expertise in the distribution of electronic components. Based in Hongkong, we have already established firm and mutual-benefit business relationships with customers from,Europe,America and south Asia,supplying obsolete and hard-to-find components to meet their specific needs.

With the principle of "Quality Parts,Customers Priority,Honest Operation,and Considerate Service",our business mainly focus on the distribution of electronic components. Line cards we deal with include Microchip,ALPS,ROHM,Xilinx,Pulse,ON,Everlight and Freescale. Main products comprise IC,Modules,Potentiometer,IC Socket,Relay,Connector.Our parts cover such applications as commercial,industrial, and automotives areas.

We are looking forward to setting up business relationship with you and hope to provide you with the best service and solution. Let us make a better world for our industry!



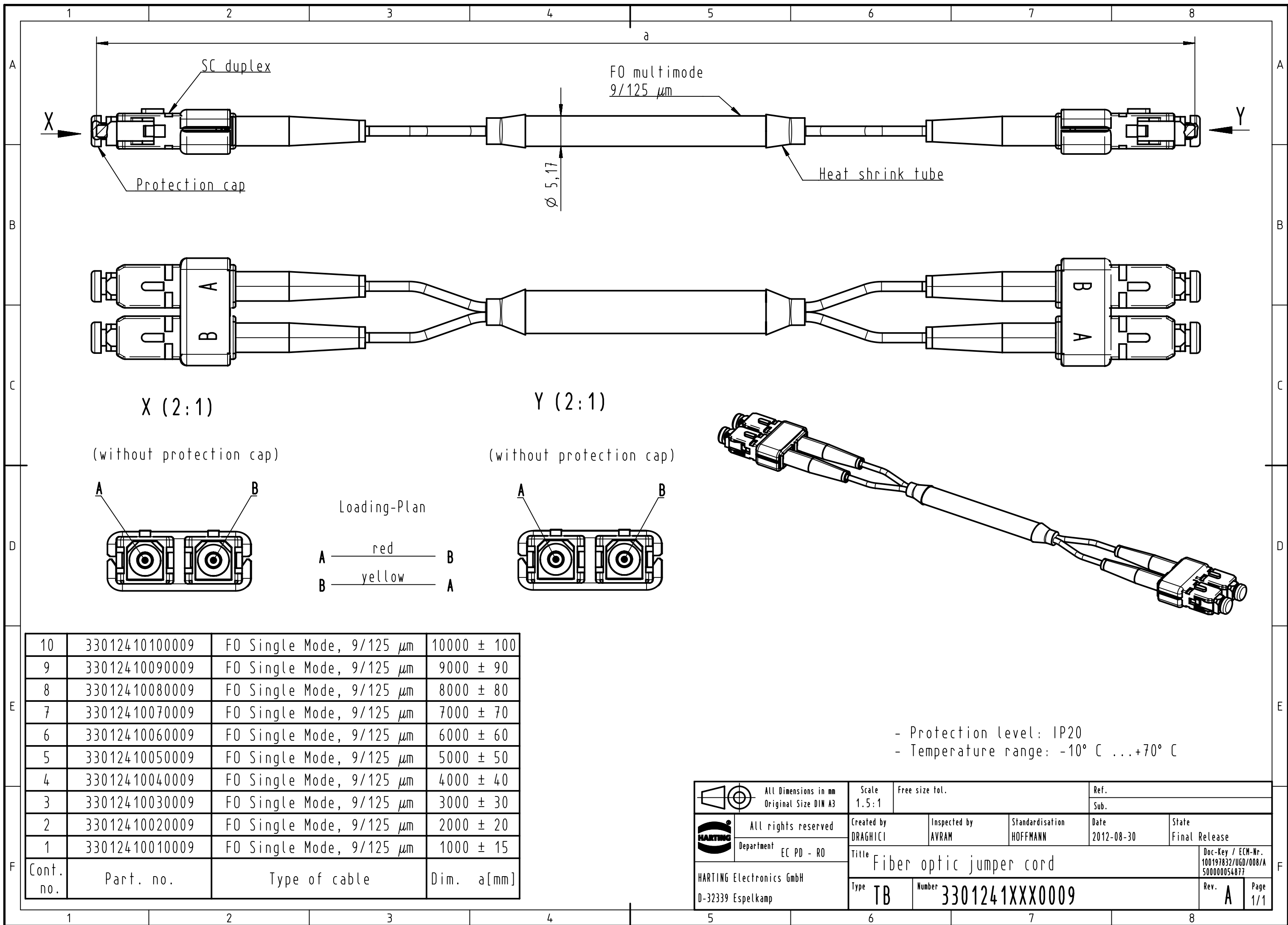
Contact us

Tel: +86-755-8981 8866 Fax: +86-755-8427 6832

Email & Skype: info@chipsmall.com Web: www.chipsmall.com

Address: A1208, Overseas Decoration Building, #122 Zhenhua RD., Futian, Shenzhen, China





(without protection cap)

(without protection cap)

Loading-Plan

A — red — B
 B — yellow — A

- Protection level: IP20
 - Temperature range: -10° C ...+70° C

10	3301241010009	FO Single Mode, 9/125 μm	10000 ± 100
9	3301241009009	FO Single Mode, 9/125 μm	9000 ± 90
8	3301241008009	FO Single Mode, 9/125 μm	8000 ± 80
7	3301241007009	FO Single Mode, 9/125 μm	7000 ± 70
6	3301241006009	FO Single Mode, 9/125 μm	6000 ± 60
5	3301241005009	FO Single Mode, 9/125 μm	5000 ± 50
4	3301241004009	FO Single Mode, 9/125 μm	4000 ± 40
3	3301241003009	FO Single Mode, 9/125 μm	3000 ± 30
2	3301241002009	FO Single Mode, 9/125 μm	2000 ± 20
1	3301241001009	FO Single Mode, 9/125 μm	1000 ± 15
Cont. no.	Part. no.	Type of cable	Dim. a[mm]

	All rights reserved		Scale 1.5:1		Free size tol.		Ref.	
	Department EC PD - RO		Created by DRAGHICI	Inspected by AVRAM	Standardisation HOFFMANN	Date 2012-08-30	State Final Release	
HARTING Electronics GmbH		Title Fiber optic jumper cord				Doc-Key / ECH-Nr. 100197832/UGD/008/A 50000054877		Rev. A
D-32339 Espelkamp		Type TB	Number 3301241XXX0009		Page 1/1			