



Chipsmall Limited consists of a professional team with an average of over 10 year of expertise in the distribution of electronic components. Based in Hongkong, we have already established firm and mutual-benefit business relationships with customers from,Europe,America and south Asia,supplying obsolete and hard-to-find components to meet their specific needs.

With the principle of “Quality Parts,Customers Priority,Honest Operation,and Considerate Service”,our business mainly focus on the distribution of electronic components. Line cards we deal with include Microchip,ALPS,ROHM,Xilinx,Pulse,ON,Everlight and Freescale. Main products comprise IC,Modules,Potentiometer,IC Socket,Relay,Connector.Our parts cover such applications as commercial,industrial, and automotives areas.

We are looking forward to setting up business relationship with you and hope to provide you with the best service and solution. Let us make a better world for our industry!



Contact us

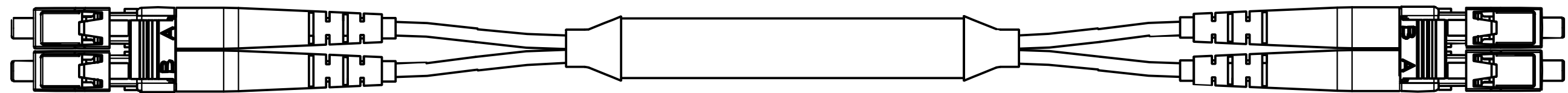
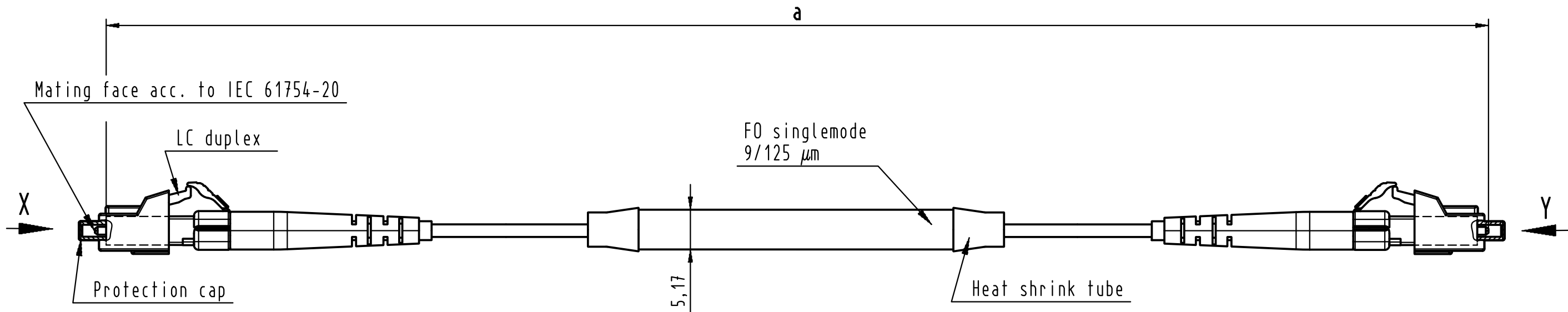
Tel: +86-755-8981 8866 Fax: +86-755-8427 6832

Email & Skype: info@chipsmall.com Web: www.chipsmall.com

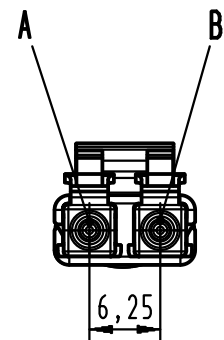
Address: A1208, Overseas Decoration Building, #122 Zhenhua RD., Futian, Shenzhen, China



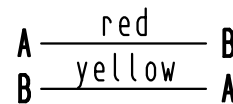
Alle Rechte vorbehalten/ All rights reserved



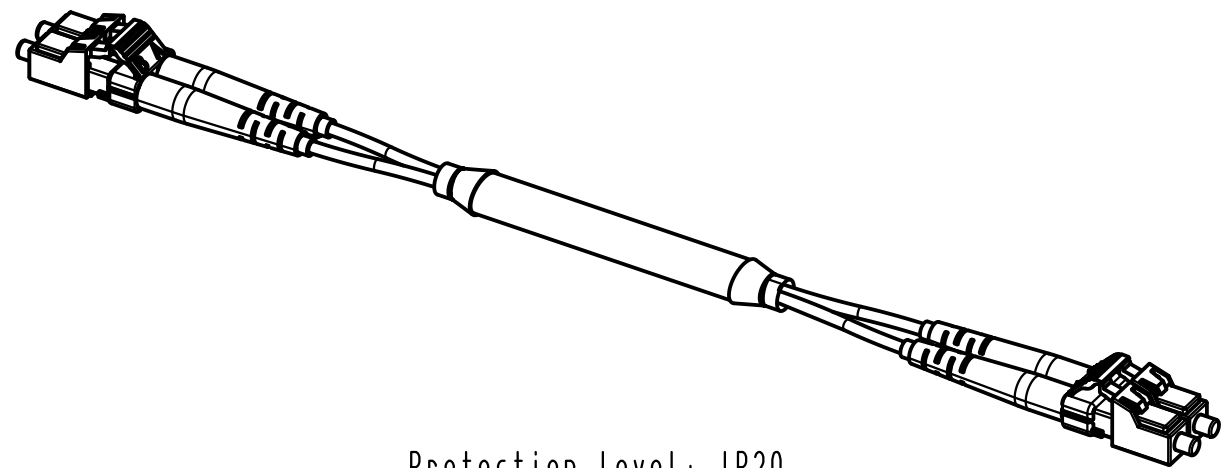
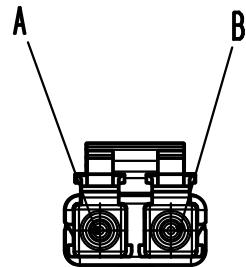
X
(without protection cap)



Loading-Plan



Y
(without protection cap)



- Protection level: IP20
- Temperature range: -10°C ...+70°C

For Information Only
won't be replaced when changed

10	33 01 241 010 0008	FO singlemode, 9/125 μm	10000 ± 100
9	33 01 241 009 0008	FO singlemode, 9/125 μm	9000 ± 90
8	33 01 241 008 0008	FO singlemode, 9/125 μm	8000 ± 80
7	33 01 241 007 0008	FO singlemode, 9/125 μm	7000 ± 70
6	33 01 241 006 0008	FO singlemode, 9/125 μm	6000 ± 60
5	33 01 241 005 0008	FO singlemode, 9/125 μm	5000 ± 50
4	33 01 241 004 0008	FO singlemode, 9/125 μm	4000 ± 40
3	33 01 241 003 0008	FO singlemode, 9/125 μm	3000 ± 30
2	33 01 241 002 0008	FO singlemode, 9/125 μm	2000 ± 20
1	33 01 241 001 0008	FO singlemode, 9/125 μm	1000 ± 15
Cont. No.	Part-No.	Type of cable	Dim. a[mm]

All Dimensions in mm Original Size DIN A 3		Techn. Character.			Nicht tolerierte Maß/Free size tolerances	
			Dat.	Name	Maßstab/Scale	FO jumper cable 2xLC duplex Single Mode 9/125 μm
		Detail.	30.09.10	MS		
		Insp.	30.09.10	RA		
		Stand.				
DRS815A		HARTING Electronics GmbH & Co. KG				TB 33 01 241 xxx 0008
Mod.	Dat.	Name	D-32339 ESPELKAMP			
					Sub.	Blatt/page