



Chipsmall Limited consists of a professional team with an average of over 10 year of expertise in the distribution of electronic components. Based in Hongkong, we have already established firm and mutual-benefit business relationships with customers from,Europe,America and south Asia,supplying obsolete and hard-to-find components to meet their specific needs.

With the principle of "Quality Parts,Customers Priority,Honest Operation,and Considerate Service",our business mainly focus on the distribution of electronic components. Line cards we deal with include Microchip,ALPS,ROHM,Xilinx,Pulse,ON,Everlight and Freescale. Main products comprise IC,Modules,Potentiometer,IC Socket,Relay,Connector.Our parts cover such applications as commercial,industrial, and automotives areas.

We are looking forward to setting up business relationship with you and hope to provide you with the best service and solution. Let us make a better world for our industry!



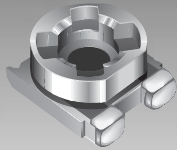
## Contact us

Tel: +86-755-8981 8866 Fax: +86-755-8427 6832

Email & Skype: info@chipsmall.com Web: www.chipsmall.com

Address: A1208, Overseas Decoration Building, #122 Zhenhua RD., Futian, Shenzhen, China





**BOURNS®**

**Features**

- Single-Turn Cermet / Open Frame
- Recommended for reflow processing
- Rotor design compatible with automatic adjustment equipment
- Supplied in 8 mm embossed tape, compatible with automatic assembly equipment
- 2 mm size meets EIA/EIAJ standard trimmer footprint

**3302 - 2 mm SMD Trimming Potentiometer**

**Electrical Characteristics**

Standard Resistance Range .....200 to 1 megohm  
 (see standard resistance table)  
 Resistance Tolerance .....±25 % std.  
 Absolute Minimum Resistance  
 ≤1K .....20 ohms max.  
 >1K .....5 % max.  
 Contact Resistance Variation  
 .....5 % max.  
 Resolution.....Infinite  
 Adjustment Angle.....260 ° ±20 °

**Environmental Characteristics**

Power Rating (50 VDC max.)  
 70 °C .....0.15 watt  
 Temperature Range  
 .....-40 °C to +85 °C  
 Temperature Coefficient  
 .....±250 ppm/°C  
 Humidity .....95 % RH  
 TRS max. .....500 hours  
 Load Life .....±5 %  
 .....@70 °C rated power 500 hours  
 TRS ±5 %  
 Rotational Cycling .....10 turns  
 TRS ±15 %

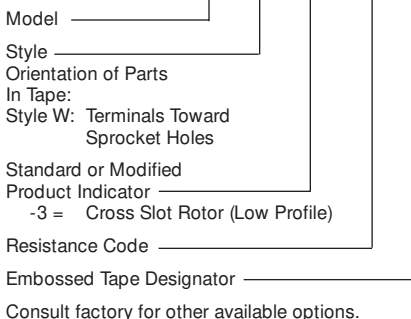
**Physical Characteristics**

Torque.....10-150 g-cm max.  
 Mechanical Angle .....Continuous  
 Marking .....Part marking code  
 Standard Packaging  
 .....2000 pcs./7 " reel  
 Adjustment Tool .....H-91

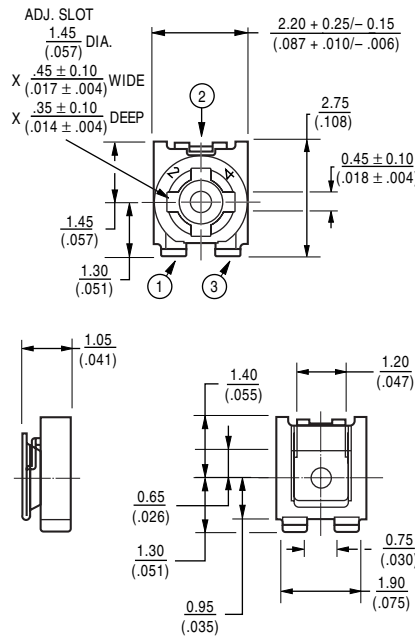
\*"FLUORINERT" IS A REGISTERED TRADEMARK OF 3M CO.

**How To Order**

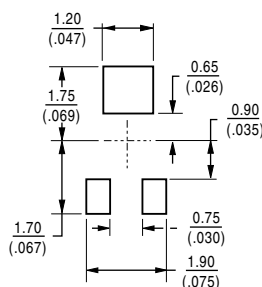
**3302 X - 3 - 103 E**



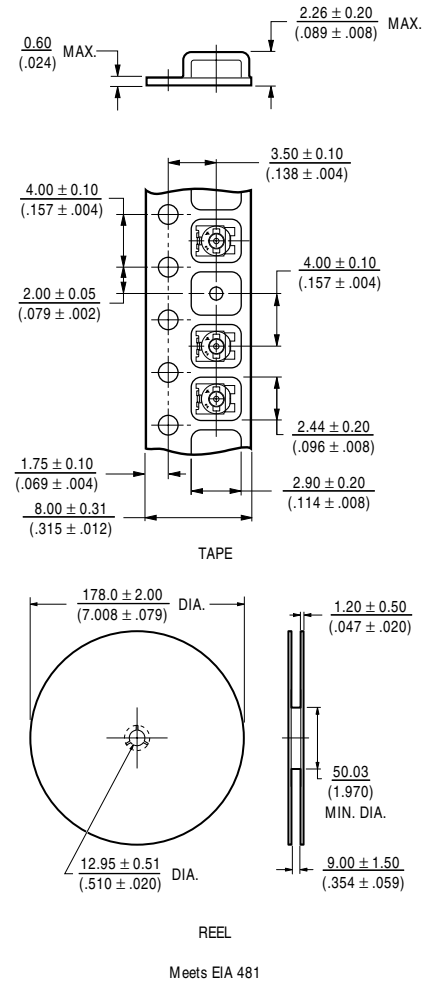
**3302W, X-3  
 3 Terminals for  
 Automatic Trimming Adjustment  
 Low Profile**



**SUGGESTED PWB LAYOUT**



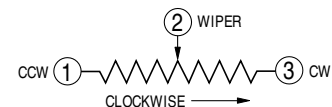
**Packaging Specifications**



**Standard Resistance Table**

Resistance (Ohms)	Part Marking Code	Resistance Code
200	22	201
500	52	501
<b>1,000</b>	<b>13</b>	<b>102</b>
<b>2,000</b>	<b>23</b>	<b>202</b>
<b>5,000</b>	<b>53</b>	<b>502</b>
<b>10,000</b>	<b>14</b>	<b>103</b>
<b>20,000</b>	<b>24</b>	<b>203</b>
50,000	54	503
100,000	15	104
200,000	25	204
500,000	55	504
1,000,000	16	105

Popular distribution resistance values listed in boldface. Special resistances available.



TOLERANCES: ± 0.25 (.010) EXCEPT WHERE NOTED

DIMENSIONS ARE:  $\frac{\text{MM}}{(\text{INCHES})}$