



Chipsmall Limited consists of a professional team with an average of over 10 year of expertise in the distribution of electronic components. Based in Hongkong, we have already established firm and mutual-benefit business relationships with customers from,Europe,America and south Asia,supplying obsolete and hard-to-find components to meet their specific needs.

With the principle of "Quality Parts,Customers Priority,Honest Operation,and Considerate Service",our business mainly focus on the distribution of electronic components. Line cards we deal with include Microchip,ALPS,ROHM,Xilinx,Pulse,ON,Everlight and Freescale. Main products comprise IC,Modules,Potentiometer,IC Socket,Relay,Connector.Our parts cover such applications as commercial,industrial, and automotives areas.

We are looking forward to setting up business relationship with you and hope to provide you with the best service and solution. Let us make a better world for our industry!



## Contact us

Tel: +86-755-8981 8866 Fax: +86-755-8427 6832

Email & Skype: info@chipsmall.com Web: www.chipsmall.com

Address: A1208, Overseas Decoration Building, #122 Zhenhua RD., Futian, Shenzhen, China





**ELECTROSWITCH**  
 ELECTRONIC PRODUCTS  
 UNIT OF ELECTRO SWITCH CORP.

**Contact**  
**Electroswitch**  
 Phone: 888-768-2797  
 sales@electro-nc.com

# IP67 Sealed Toggle Switches

Highest quality for the most demanding applications



## 3300 Series

Standard 15/32" diameter bushing. Standard Bat length is .560".

Current Rating	Catalog No.		Action	Termination
20A -125VAC, 1 HP	3305C	Fig 1	SPST on-none-off	.250" QC
20A -125VAC, 1 HP	3305D	Fig 2	SPST on-none-off	6" Wire Leads, #16 Gauge
20A -125VAC, 1 HP	3301C	Fig 1	SPDT on-none-on	.250" QC
20A -125VAC, 1 HP	3301D	Fig 2	SPDT on-none-on	6" Wire Leads, #16 Gauge
20A -125VAC, 1 HP	3302C	Fig 1	SPDT on-off-on	.250" QC
20A -125VAC, 1 HP	3302D	Fig 2	SPDT on-off-on	6" Wire Leads, #16 Gauge

### 3300 Series Toggle

**Electrical Rating:** 20A - 125 VAC , 10A - 250 VAC, 1 HP 125-250 VAC

**Life Cycles:** 100,000 Electrical 100,000 Mechanical

**Operating Temp:** -10 °C to +65 °C

**Sealing:** seal tested per IP67 standards to withstand submersion in water to a depth of 1 meter for 30 minutes, Meets IP68

**Dielectric Strength** 1000 Volts RMS Minimum

**Mounting Means** 15/32" Bushing, Keyway .078 - .083 Wide X .037 - .043 Deep, Standard Hardware supplied

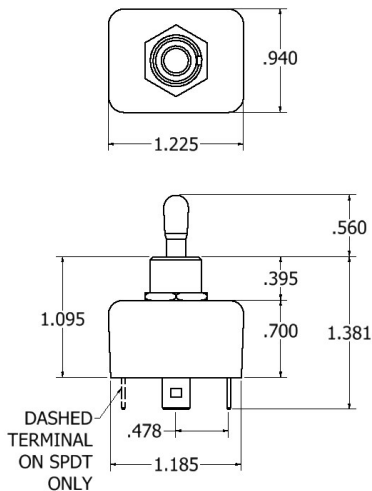


Fig 1

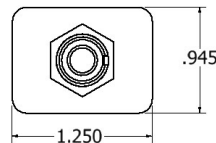
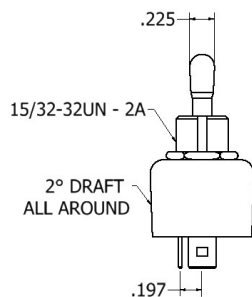
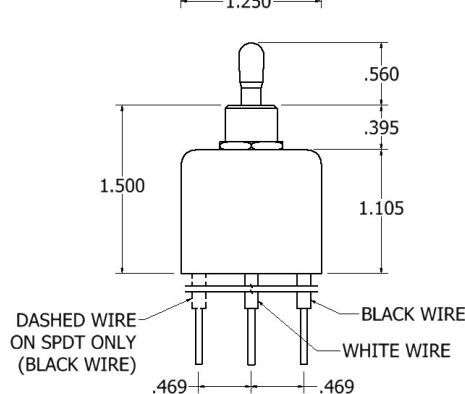


Fig 2



All Information subject to change without notice

Flier EEP-SG-20 RevA ©Copyright Electroswitch 2014