



Chipsmall Limited consists of a professional team with an average of over 10 year of expertise in the distribution of electronic components. Based in Hongkong, we have already established firm and mutual-benefit business relationships with customers from,Europe,America and south Asia,supplying obsolete and hard-to-find components to meet their specific needs.

With the principle of “Quality Parts,Customers Priority,Honest Operation,and Considerate Service”,our business mainly focus on the distribution of electronic components. Line cards we deal with include Microchip,ALPS,ROHM,Xilinx,Pulse,ON,Everlight and Freescale. Main products comprise IC,Modules,Potentiometer,IC Socket,Relay,Connector.Our parts cover such applications as commercial,industrial, and automotives areas.

We are looking forward to setting up business relationship with you and hope to provide you with the best service and solution. Let us make a better world for our industry!



Contact us

Tel: +86-755-8981 8866 Fax: +86-755-8427 6832

Email & Skype: info@chipsmall.com Web: www.chipsmall.com

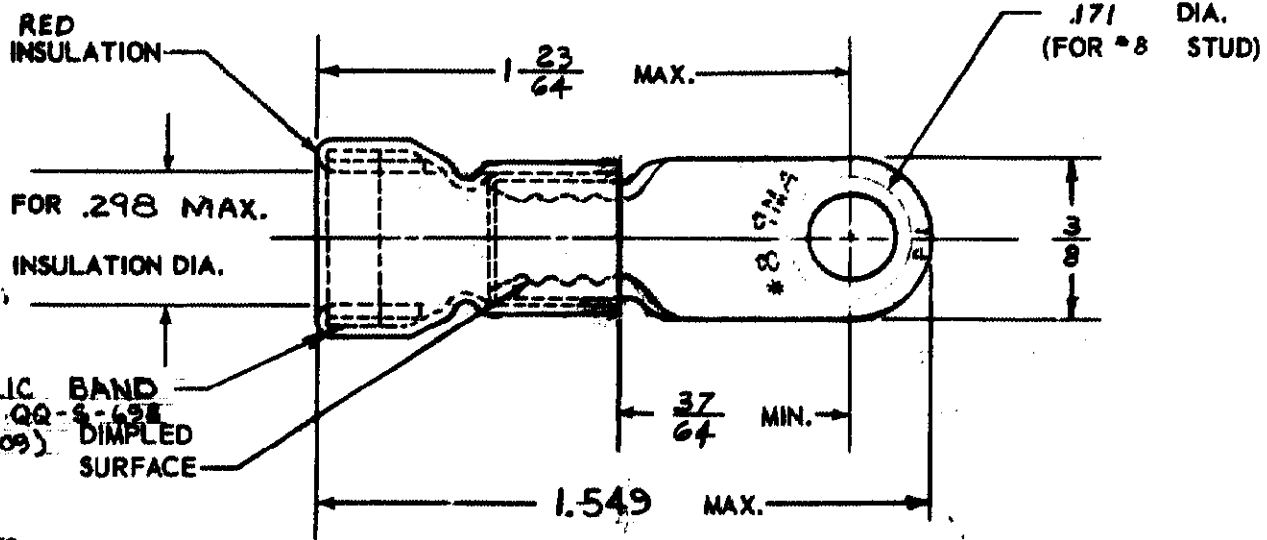
Address: A1208, Overseas Decoration Building, #122 Zhenhua RD., Futian, Shenzhen, China



© 1963 BY AMP INCORPORATED. ALL RIGHTS RESERVED. AMP PRODUCTS COVERED BY PATENTS AND/OR PATENTS PENDING.

330600

REVISIONS			
SYM	DESCRIPTION	DATE	APPO
A	TAN. RAD. ON TONGUE	10-2-63	JH
B	PER P-8292	1-30-79	JH
C	REV. PER P-8347	REB. 4/9/79	JH
D	REV G-4680	TMS 5-9-82 E-003	JT



AMP INFO

LOC	PRINT	DATE
G	14	10

TONGUE MATERIAL THICKNESS .040

UNLESS OTHERWISE SPECIFIED DIMENSIONS ARE IN INCHES		
TOLERANCES ON		
FRACTIONS ± 1/64	DECIMALS ± .015	ANGLES ± 5°
MATERIAL TERMINAL COPPER (MIL-Q-Q-C-576)	SLEEVE P.V.C. INSULATION	
HEAT TREAT ANNEALED		
FINISH TIN PLATED (MIL-T-10727)		

SIGNATURE	DATE
DR <i>T. Lanthier</i>	8-15-63
CHK <i>J.W. Haines</i>	8/19/63
DESIGNOR	
APPROV <i>J.W. Haines</i>	8/19/63

AMP AMP INCORPORATED
HARRISBURG, PENNSYLVANIA

NAME
WIRE TERMINAL
AMPLI-BOND*
RING TONGUE
WIRE SIZE 8

DSGN APPO	CODE IDENT NO 00779	SIZE A	NUMBER 330600
OTHER APPO	SCALE 2:1	WT	CALC ACTUAL SHEET 1 OF 1