



Chipsmall Limited consists of a professional team with an average of over 10 year of expertise in the distribution of electronic components. Based in Hongkong, we have already established firm and mutual-benefit business relationships with customers from,Europe,America and south Asia,supplying obsolete and hard-to-find components to meet their specific needs.

With the principle of “Quality Parts,Customers Priority,Honest Operation,and Considerate Service”,our business mainly focus on the distribution of electronic components. Line cards we deal with include Microchip,ALPS,ROHM,Xilinx,Pulse,ON,Everlight and Freescale. Main products comprise IC,Modules,Potentiometer,IC Socket,Relay,Connector.Our parts cover such applications as commercial,industrial, and automotives areas.

We are looking forward to setting up business relationship with you and hope to provide you with the best service and solution. Let us make a better world for our industry!



Contact us

Tel: +86-755-8981 8866 Fax: +86-755-8427 6832

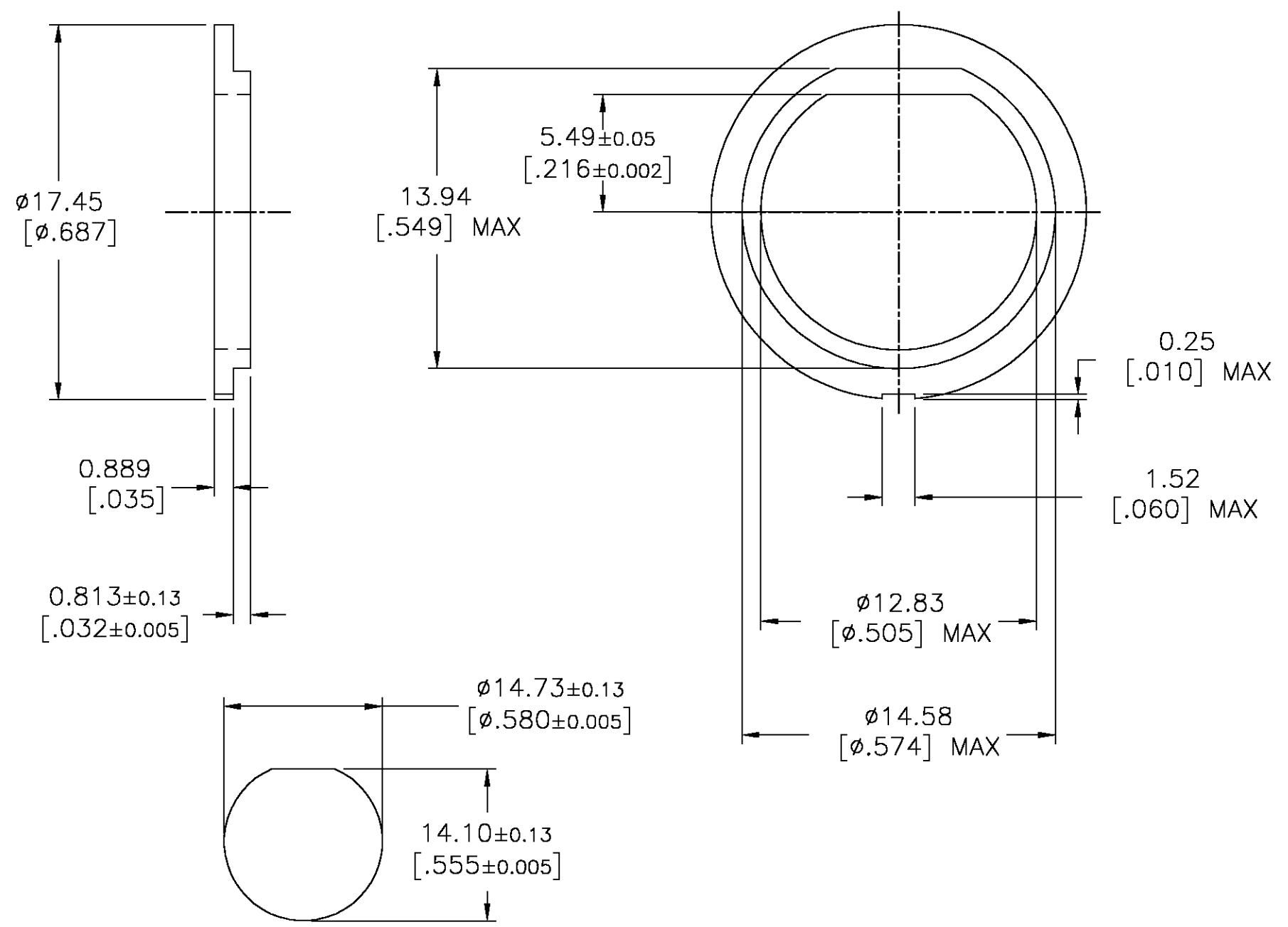
Email & Skype: info@chipsmall.com Web: www.chipsmall.com

Address: A1208, Overseas Decoration Building, #122 Zhenhua RD., Futian, Shenzhen, China



THIS DRAWING IS UNPUBLISHED. RELEASED FOR PUBLICATION
 © COPYRIGHT BY TYCO ELECTRONICS CORPORATION. ALL RIGHTS RESERVED.

LOC	DIST	REVISIONS					
AJ	16	P	LTR	DESCRIPTION	DATE	DWN	APVD
		J		REV PER OS14-0255-04	05/25/04	KW	KW



NOTES:
 1. SEE INSTRUCTION SHEET 408-1576

RECOMMENDED PANEL CUT-OUT
 SCALE 2 : 1

330620
 PART NO.

THIS DRAWING IS A CONTROLLED DOCUMENT.		DWN G. VIERA 01MAY2002	Tyco Electronics Corporation Middletown, PA 17057	
DIMENSIONS: mm		CHK K. WEIDNER 05/01/02		
TOLERANCES UNLESS OTHERWISE SPECIFIED:		APVD K. WEIDNER 05/01/02	NAME COAXICON CONNECTOR INSULATING BUSHING	
		PRODUCT SPEC -	APPLICATION SPEC -	
MATERIAL NYLON MIL-M-20693 (TYPE 1)		FINISH -	WEIGHT .005 OZ.	RESTRICTED TO -
CUSTOMER DRAWING			SIZE A3	CAGE CODE 00779
			DRAWING NO C-330620	SCALE 4:1
			SHEET 1 OF 1	REV J